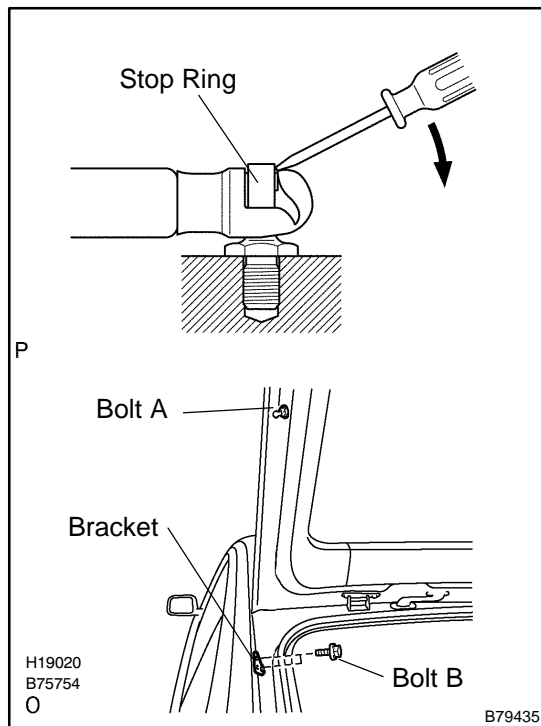


BACK DOOR STAY REPLACEMENT

750V6-01

HINT:

- The installation procedures are the removal procedures in reverse order. However, only installation procedures requiring additional information are included.
- Use the same procedures for the RH side and LH side.
- The procedures listed below are for the LH side.
- A bolt without a torque specification is shown in the standard bolt chart (see page 03-2).



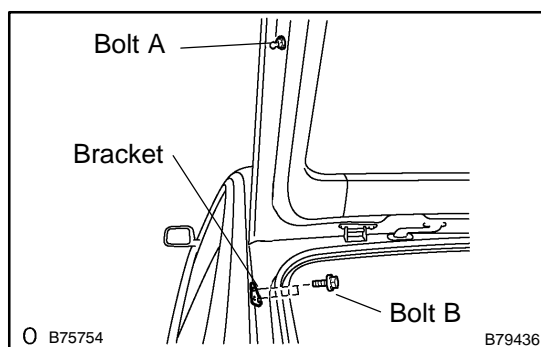
1. REMOVE BACK DOOR STAY ASSY LH

- Using a screwdriver, remove the 2 stop rings and stay.
- Remove the bolt labeled A from the door panel.

HINT:

Remove the door stay while supporting the back door with your hands.

- Remove the 2 bolts labeled B and the stay bracket from the body panel.



2. INSTALL BACK DOOR STAY ASSY LH

- Install the stay bracket with the 2 bolts.

Torque:

7.0 N·m (71 kgf·cm, 62 in·lbf) for bolt labeled B

- Install the back door stay bolt to the back door.

Torque:

22.0 N·m (224 kgf·cm, 16 ft·lbf) for bolt labeled A

- Install the stay with the 2 stop rings.