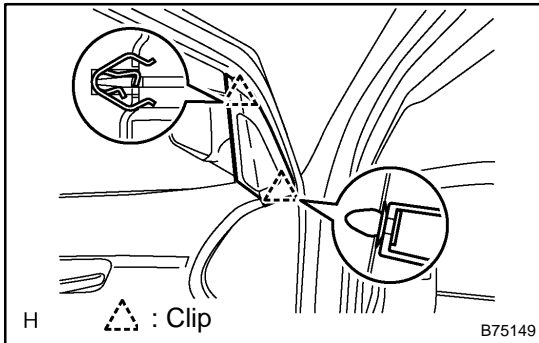


## OVERHAUL

### HINT:

- The installation procedures are the removal procedures in reverse order. However, only installation procedures requiring additional information are included.
- Use the same procedures for the RH side and LH side.
- The procedures listed below are for the LH side.
- A bolt without a torque specification is shown in the standard bolt chart (see page 03-2).

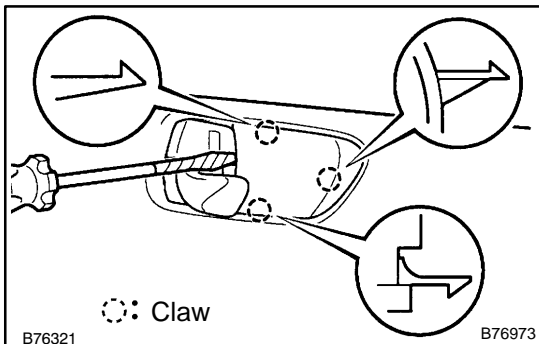


### 1. REMOVE FRONT DOOR LOWER FRAME BRACKET GARNISH

- (a) Using a screwdriver, disengage the 2 clips and remove the garnish.

#### HINT:

Tape the screwdriver tip before use.

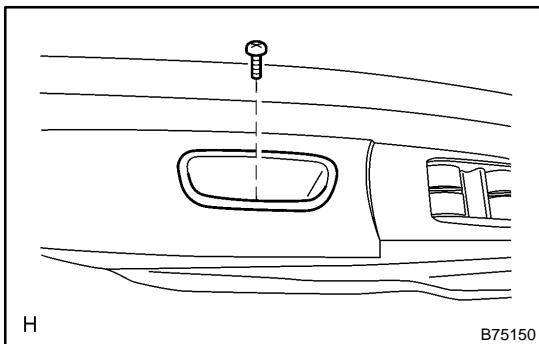


### 2. REMOVE FRONT DOOR INSIDE HANDLE BEZEL

- (a) Using a screwdriver, disengage the 3 claws and remove the plug.

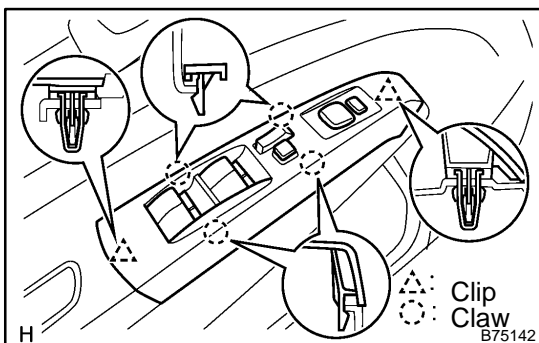
#### HINT:

Tape the screwdriver tip before use.



### 3. REMOVE DOOR PULL HANDLE

- (a) Remove the screw and pull handle.



### 4. REMOVE FRONT ARMREST BASE PANEL UPPER

- (a) Driver's side:

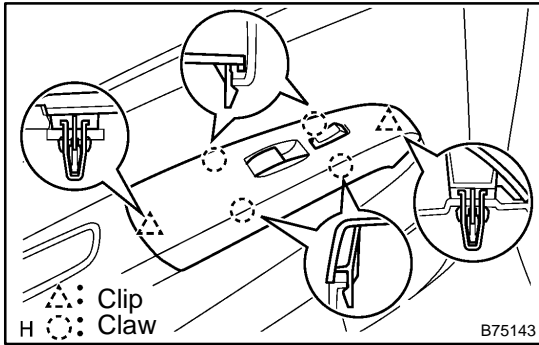
Using a screwdriver, disengage the 2 clips and 4 claws, and remove the armrest base panel together with the window regulator master switch.

#### HINT:

Tape the screwdriver tip before use.

- (b) Disconnect the switch connector.

- (c) Remove the 3 screws and the window regulator master switch from the armrest base panel upper.



- (d) Passenger's side:  
Using a screwdriver, disengage the 2 clips and 4 claws, and remove the armrest base panel together with the 2 switches.

HINT:

Tape the screwdriver tip before use.

- (e) Disconnect the switch connector.  
(f) Using a screwdriver, disengage the 2 claws and remove the door control switch.

HINT:

Tape the screwdriver tip before use.

- (g) Using a screwdriver, disengage the 2 claws and remove the power window regulator switch.

HINT:

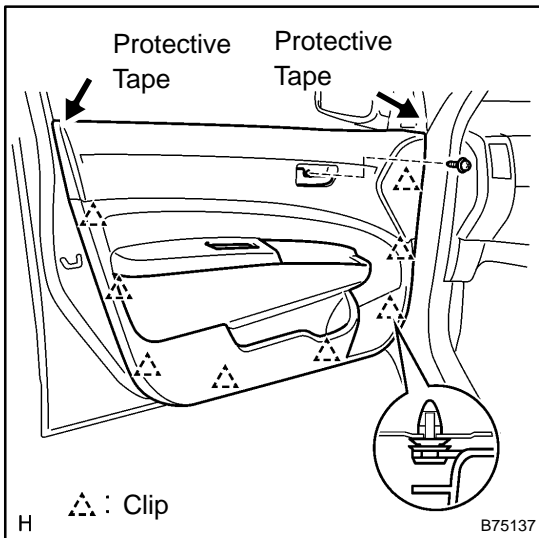
Tape the screwdriver tip before use.

**5. REMOVE FRONT DOOR TRIM BOARD SUB-ASSY**

- (a) Remove the screw.  
(b) Using a screwdriver, disengage the 7 clips and remove the trim board.

HINT:

- Tape the screwdriver tip before use.
- In order to prevent the door panel from being damaged, use protective tape to cover the areas indicated by the arrow marks in the illustration.
- If the clip cannot be reached with the clip remover, pull on the lower trim to remove it.



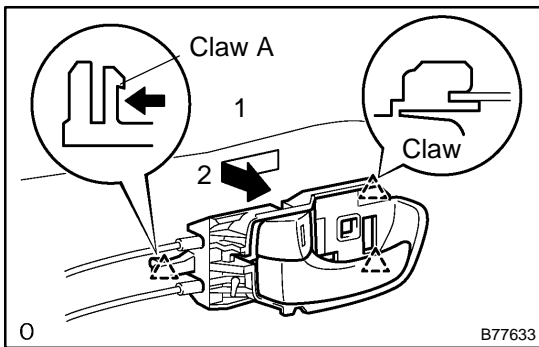
**6. REMOVE FRONT DOOR INSIDE HANDLE SUB-ASSY**

- (a) Using a screwdriver, disengage claw A as shown in the illustration.

HINT:

Tape the screwdriver tip before use.

- (b) Move the inside handle in the direction indicated by the arrow mark in the illustration. This will release the claw and allow removal of the inside handle.  
(c) Disconnect the 2 cables from the inside handle.

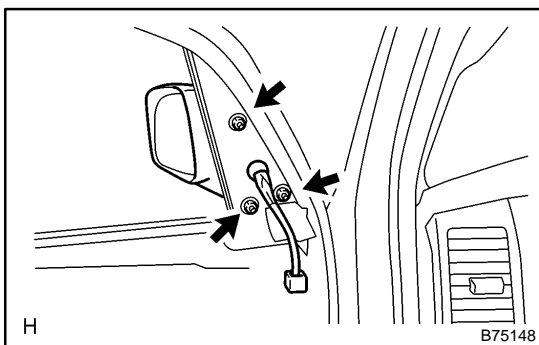


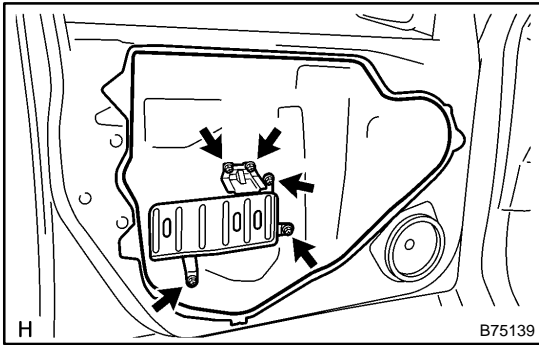
**7. REMOVE OUTER REAR VIEW MIRROR ASSY**

- (a) Disconnect the mirror connector.  
(b) Remove the 3 nuts and mirror.

**NOTICE:**

**Be careful when removing the nuts as the mirror may fall and become damaged.**



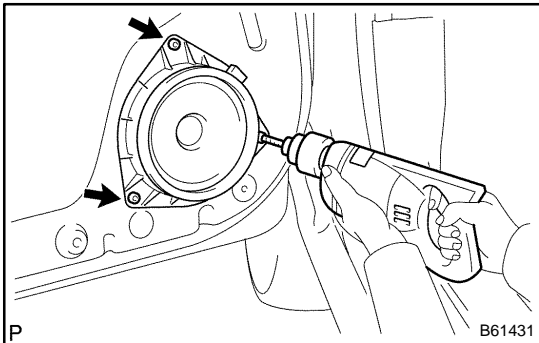
**8. REMOVE FRONT DOOR SERVICE HOLE COVER**

- (a) Remove the 3 screws and trim bracket.
- (b) Remove the service hole cover.

**NOTICE:**

**Remove the remaining tape on the door side.**

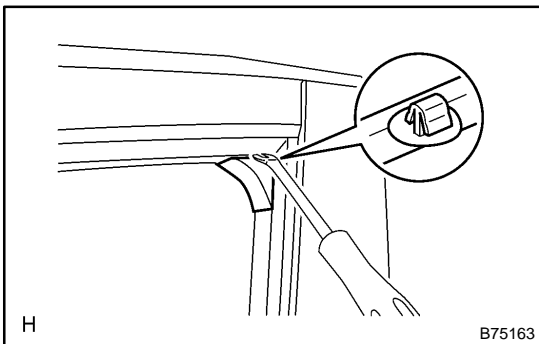
- (c) Remove the 2 screws and service hole cover No. 2.

**9. REMOVE FRONT NO.1 SPEAKER ASSY (See page 67-8)**

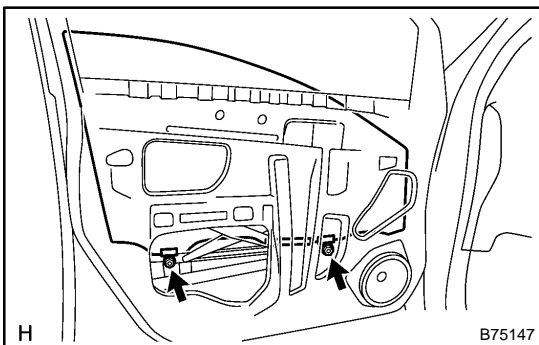
- (a) Using a drill of less than  $\varnothing$  4 mm (0.16 in.), drill out the 3 rivet heads and remove the speaker.

**NOTICE:**

- **Be sure to gently place the drill perpendicularly to the rivet, otherwise the rivet hole and the drill itself will be damaged.**
  - **Be careful with the cut rivet, because it is hot.**
- (b) Even if the flange is taken off, continue drilling and push out the remaining fragments using the drill.
  - (c) Using a vacuum cleaner, remove the drilled rivet and dust from the inside of the door.

**10. REMOVE FRONT DOOR BELT MOULDING (See page 76-21)****11. REMOVE FRONT DOOR WINDOW MOULDING REAR (See page 76-19)****12. REMOVE DOOR FRAME GARNISH**

- (a) Using a clip remover, disengage the claws and remove the garnish.

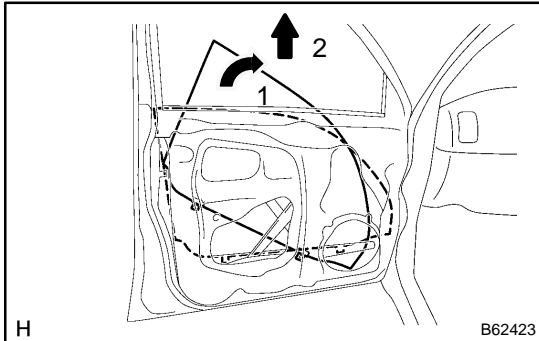
**13. REMOVE FRONT DOOR GLASS SUB-ASSY****HINT:**

Insert a shop rag inside the door panel to prevent the glass from being scratched.

- (a) Driver's side:  
Connect the window regulator master switch.
- (b) Passenger's side:  
Connect the power window regulator switch.
- (c) Move the door glass until the 2 bolts appear in the service holes.
- (d) Remove the 2 bolts.

**NOTICE:**

**Be careful when removing the nuts as the glass may fall and become damaged.**

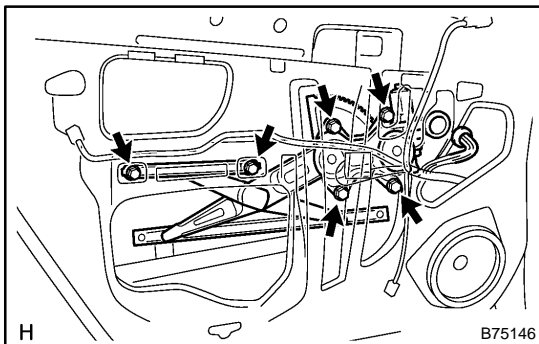


- (e) Remove the door glass in the direction indicated by the arrow marks in the illustration.

**NOTICE:**

**Be careful not to damage the glass.**

- (f) Driver's side:  
Disconnect the window regulator master switch.
- (g) Passenger's side:  
Disconnect the power window regulator switch.



#### 14. REMOVE FRONT DOOR WINDOW REGULATOR SUB-ASSY

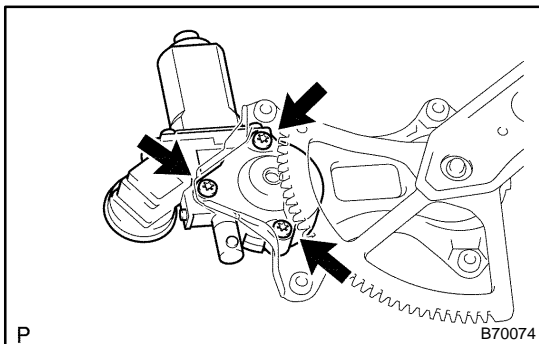
- (a) Disconnect the connector.  
(b) Remove the 6 bolts and regulator.

**NOTICE:**

**Be careful when removing the bolts as the window regulator may fall and become damaged.**

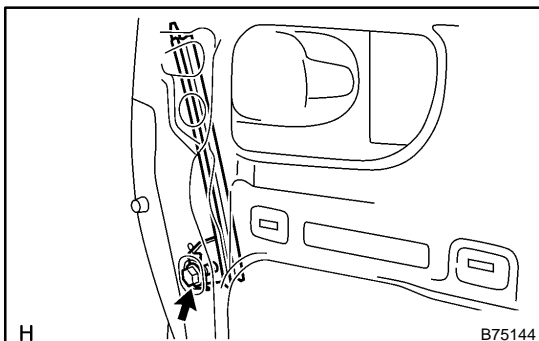
**HINT:**

Remove the window regulator through the service hole.



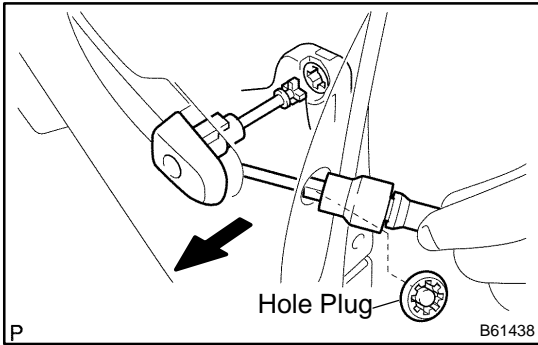
#### 15. REMOVE POWER WINDOW REGULATOR MOTOR ASSY

- (a) Using a torx driver (T25), remove the 3 screws and motor.

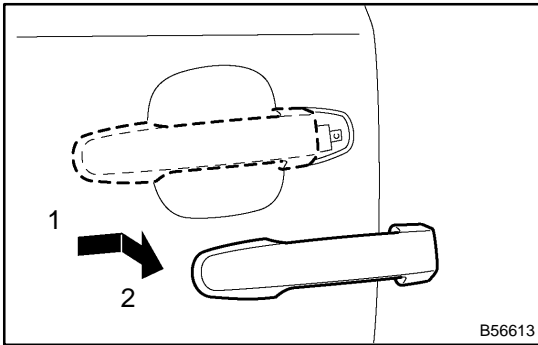


#### 16. REMOVE FRONT DOOR FRAME SUB-ASSY REAR LOWER

- (a) Remove the bolt and frame.



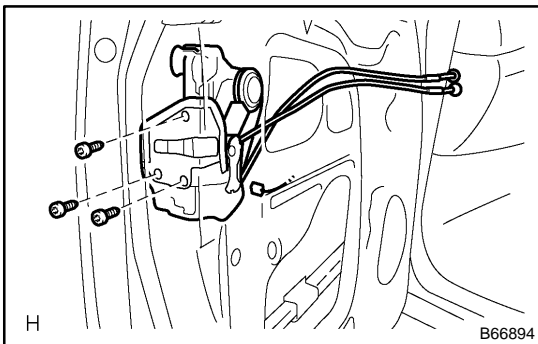
- 17. REMOVE FRONT DOOR OUTSIDE HANDLE COVER**
- (a) Remove the hole plug.
  - (b) Using a torx socket wrench (T30), loosen the screw and remove the cover with the door lock key cylinder installed.



- 18. REMOVE FRONT DOOR OUTSIDE HANDLE ASSY**
- (a) w/ Smart entry system:  
Disconnect the connector.
  - (b) Remove the handle by sliding and pulling it in the direction indicated by the arrow mark in the illustration.
  - (c) Remove the outside handle pad front and rear.

**NOTICE:**

If the release plate is not pulled and held when removing the handle, the release plate will interfere with the handle and become damaged.



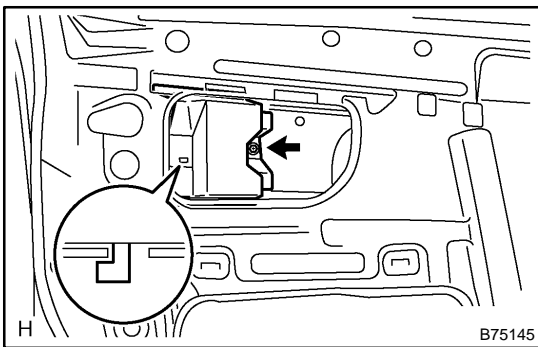
- 19. REMOVE FRONT DOOR LOCK ASSY**
- (a) Using a torx socket wrench (T30), remove the 3 screws and door lock.

**NOTICE:**

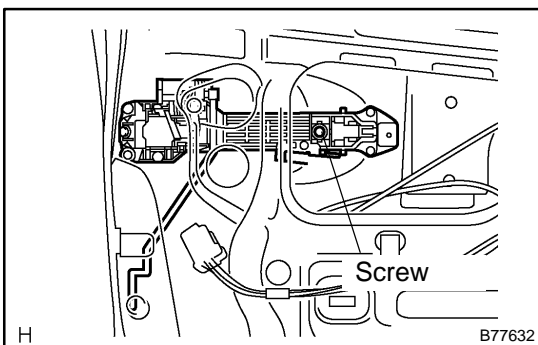
Be careful when removing the bolts as the door lock may fall and become damaged.

**HINT:**

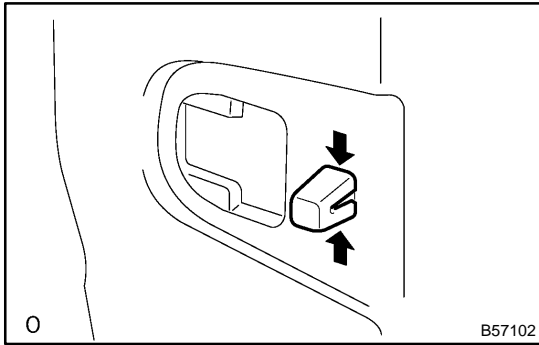
Remove the door lock through the service hole.



- 20. REMOVE FRONT DOOR OUTSIDE HANDLE FRAME SUB-ASSY**
- (a) Remove the 2 screws and stiffener cushion No. 1.



- (b) Using a torx socket wrench (T30), loosen the screw of the frame.



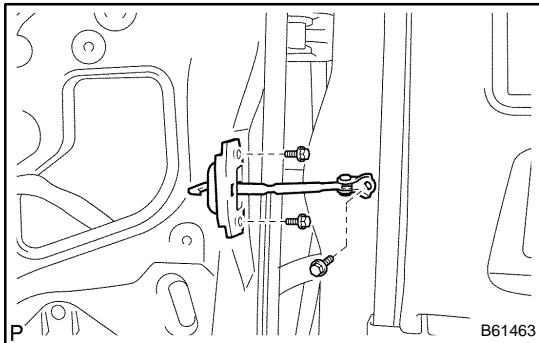
- (c) Using pliers, remove the clip and handle frame, as shown in the illustration.

**NOTICE:**

**Be sure to remove the outside handle frame together with the clips as the clips will be damaged if they remain attached to the door panel.**

**HINT:**

Remove the frame through the service hole.

**21. REMOVE FRONT DOOR CHECK ASSY**

- (a) Remove the 3 bolts and the door check.

**HINT:**

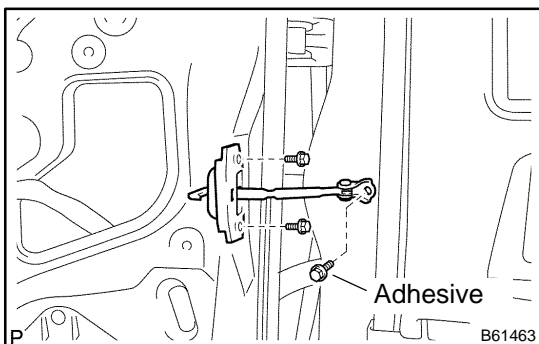
Remove the check through the service hole.

**22. REMOVE FRONT DOOR WEATHRSTRIP**

- (a) Using a clip remover, disengage the clips and remove the weatherstrip.

**HINT:**

If clips are damaged during removal, replace them.

**23. INSTALL FRONT DOOR CHECK ASSY**

- (a) Apply MP grease to the sliding areas of the check.

- (b) Install the check to the door panel with the 2 bolts.

**Torque: 5.5 N·m (56 kgf·cm, 49 in.·lbf)**

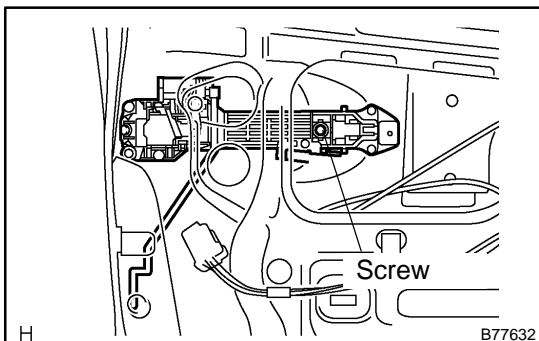
- (c) Apply adhesive to the threads of the bolt.

**Adhesive:**

**Part No. 08833-00070, THREE BOND 1324 or equivalent**

- (d) Install the check to the body panel with the bolt.

**Torque: 30 N·m (306 kgf·cm, 22 in.·lbf)**

**24. INSTALL FRONT DOOR OUTSIDE HANDLE FRAME SUB-ASSY**

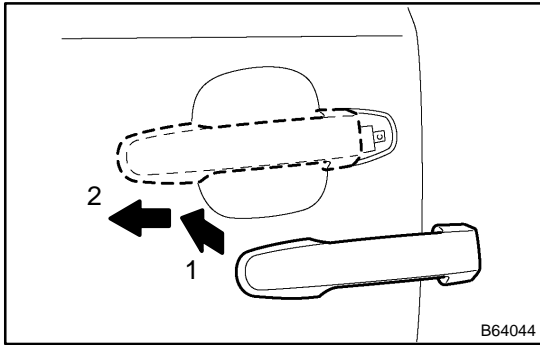
- (a) Install the outside handle link.

- (b) Apply MP grease to the sliding areas of the frame.

- (c) Using a torx socket wrench (T30), install the frame with the screw.

**Torque: 4.0 N·m (41 kgf·cm, 35 in.·lbf)**

- (d) Install the stiffener cushion No. 1 with the 2 screws.



**25. INSTALL FRONT DOOR OUTSIDE HANDLE ASSY**

- (a) Install the outside handle pad front and rear.
- (b) Install the handle by pushing it in the direction of the arrow marks in the illustration.

**NOTICE:**

If the release plate is not pulled and held when installing the handle, the release plate will interfere with the handle and become damaged.

**26. INSTALL FRONT DOOR LOCK ASSY**

- (a) Apply MP grease to the sliding and rotating areas of the door lock.
- (b) Install a new door lock wire harness packing.

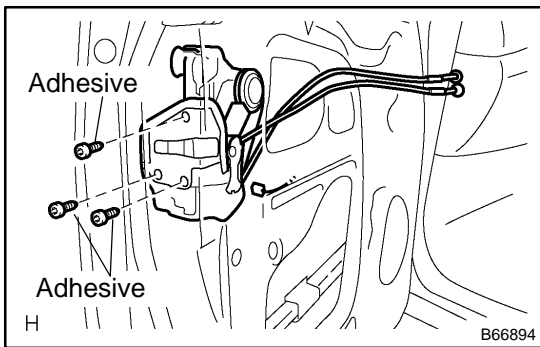
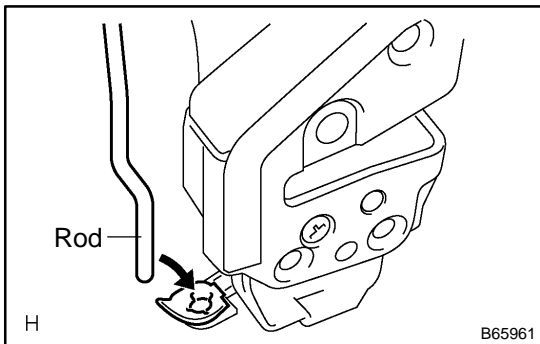
**NOTICE:**

- When reinstalling the door lock, always use a new packing.
- Do not allow grease or dirt which contaminates the gap between the door panel and packing.
- Old packing or damaged packing cannot effectively protect against water, which can damage the door lock.

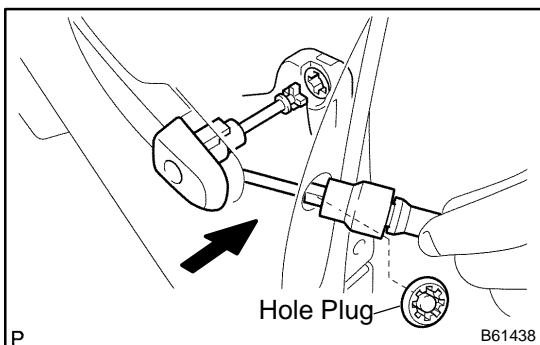
- (c) Insert the control rod into the door lock, and then set it to the door panel.

**NOTICE:**

Make sure that the rod is securely engaged with the lock.

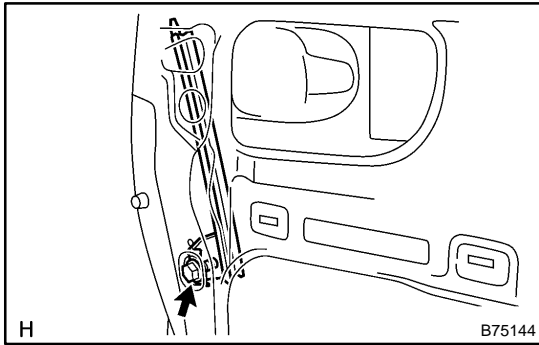


- (d) Apply adhesive to the threads of the 3 screws.  
**Adhesive:**  
**Part No. 08833-00070, THREE BOND 1324 or equivalent**
- (e) Using a torx socket wrench (T30), install the door lock with the 3 screws.  
**Torque: 5.0 N·m (51 kgf·cm, 44 in.-lbf)**
- (f) Connect the door lock connector.



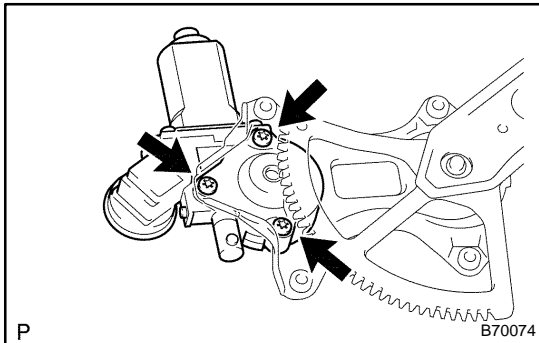
**27. INSTALL FRONT DOOR OUTSIDE HANDLE COVER**

- (a) Using a torx socket wrench (T30), install the cover (with the door lock key cylinder installed) with the screw.  
**Torque: 4.0 N·m (41 kgf·cm, 37 in.-lbf)**
- (b) Install the hole plug.



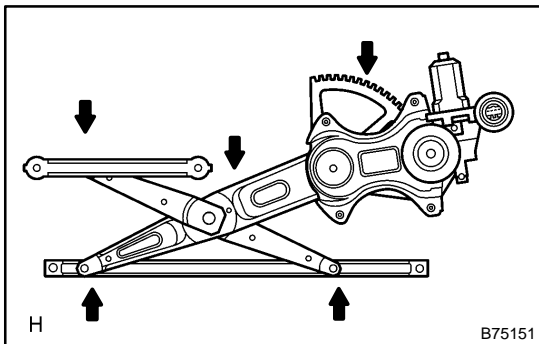
## 28. INSTALL FRONT DOOR FRAME SUB-ASSY REAR LOWER

- (a) Install the frame with the bolt.  
**Torque: 6.2 N·m (63 kgf·cm, 55 in.-lbf)**



## 29. INSTALL POWER WINDOW REGULATOR MOTOR ASSY

- (a) Using a torx driver (T25), install the motor with the 3 screws.  
**Torque: 5.4 N·m (55 kgf·cm, 48 in.-lbf)**

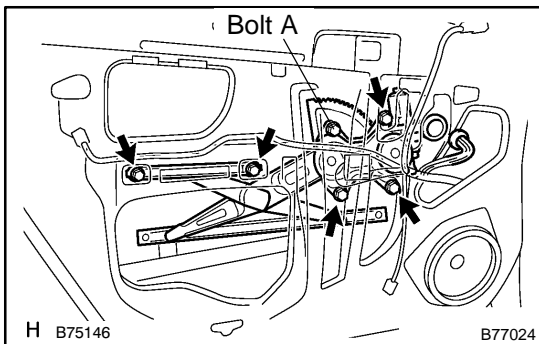


## 30. INSTALL FRONT DOOR WINDOW REGULATOR SUB-ASSY

- (a) Apply MP grease to the sliding and rotating areas of the window regulator.

### NOTICE:

**Do not apply grease to the spring of the window regulator.**



- (b) Loosely screw bolt A onto the window regulator.  
 (c) Insert the window regulator into the door panel. Use bolt A to hang the window regulator on the door panel.  
 (d) Install the window regulator with the 5 bolts and tighten bolt A.

**Torque: 8.0 N·m (82 kgf·cm, 71 in.-lbf)**

### NOTICE:

**Be careful not to drop the window regulator as it may become damaged.**

- (e) Connect the window regulator connector.

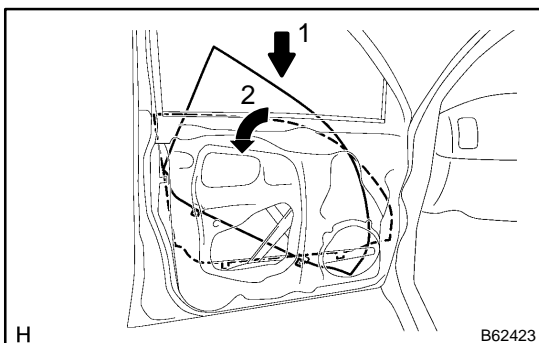
## 31. INSTALL FRONT DOOR GLASS SUB-ASSY

- (a) Install the glass run.

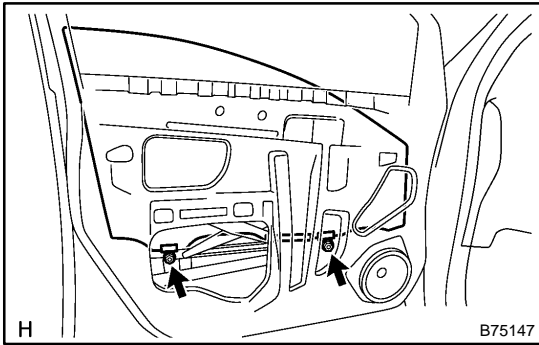
### NOTICE:

**Be careful not to damage the glass.**

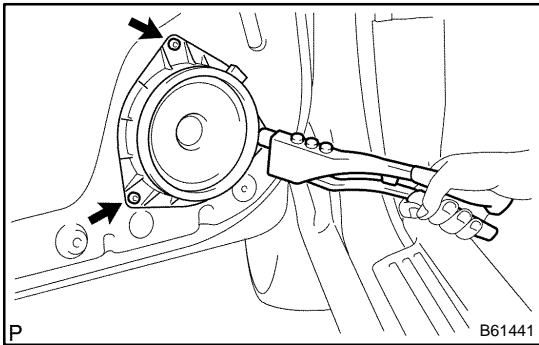
- (b) Insert the door glass into the door panel along the glass run as indicated by the arrow marks in the illustration.





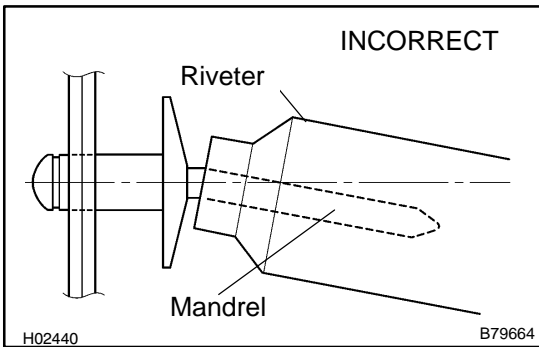


- (c) Install the door glass to the window regulator with the 2 bolts.  
**Torque: 8.0 N·m (82 kgf·cm, 71 in.-lbf)**



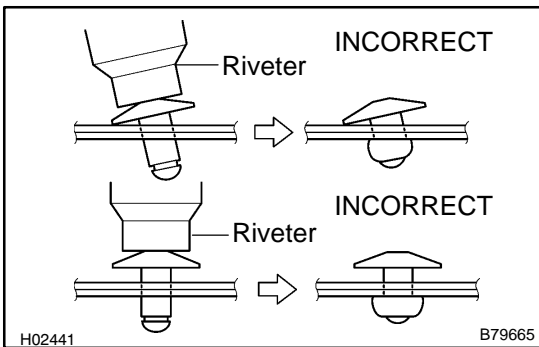
**32. INSTALL FRONT NO.1 SPEAKER ASSY**

- (a) Install the front speaker to the door.  
 (b) Using an air riveter or hand riveter, install the front speaker.

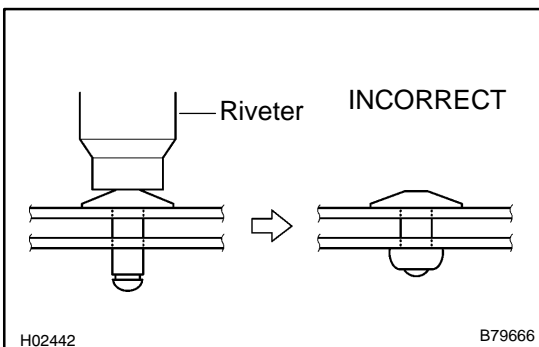


**NOTICE:**

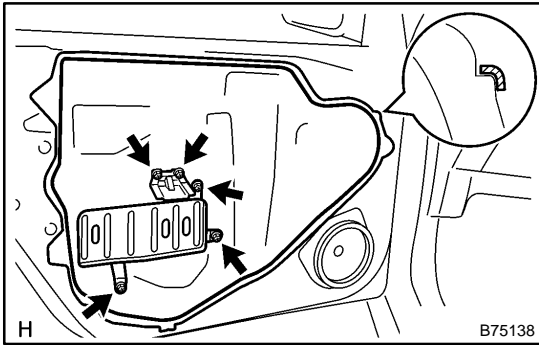
- Do not prize the riveter. The riveter will be damaged and the mandrel will bend.



- Do not tilt the riveter when fastening the rivet to the speaker as this will cause the rivet to be loose.
- Do not have any space between the rivet head and the speaker. The rivet head must be completely flat against the speaker.



- Do not have any space between the speaker and door. Firmly hold together the two items while installing the rivet.
- (c) Connect the speaker connector.



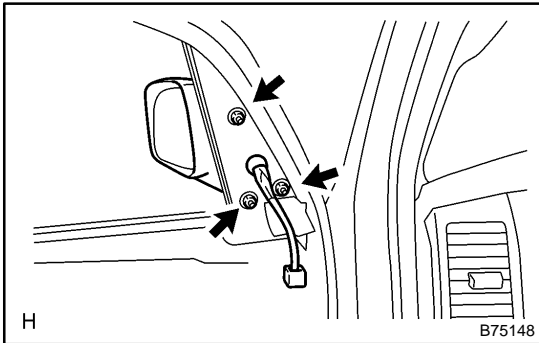
### 33. INSTALL FRONT DOOR SERVICE HOLE COVER

- (a) Install the service hole cover No. 2 with the 2 screws.
- (b) Apply butyl tape to the door as shown in the illustration.
- (c) Install a new service hole cover.

#### HINT:

- When installing the service hole cover, pull out the links and connectors through the service hole cover.
- There should be no wrinkles or folds after attaching the service hole cover.
- After attaching the service hole cover, check the sealing quality.

- (d) Install the trim bracket with the 2 screws.



### 34. INSTALL OUTER REAR VIEW MIRROR ASSY

- (a) Install the mirror with the 2 nuts.  
**Torque: 8.0 N·m (82 kgf·cm, 71 in.-lbf)**
- (b) Connect the mirror connector.

### 35. INITIALIZE POWER WINDOW SYSTEM (See page [05-2028](#))