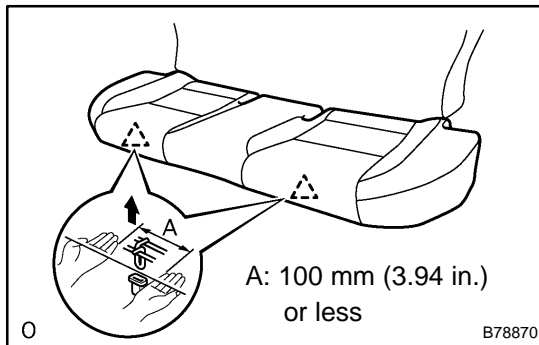


OVERHAUL

HINT:

- The installation procedures are the removal procedures in reverse order. However, only installation procedures requiring additional information are included.
- A bolt without a torque specification is shown in the standard bolt chart (see page 03-2).

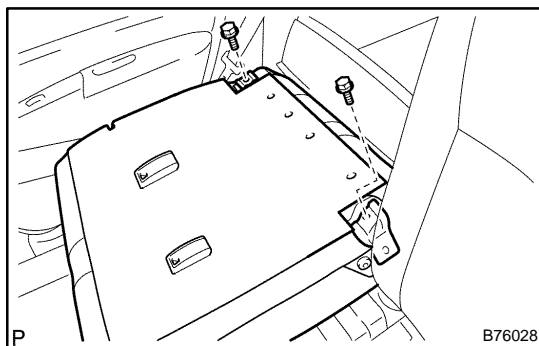


1. REMOVE REAR SEAT CUSHION ASSY

- (a) Pull up the 2 front portions of the seat cushion, then remove it.

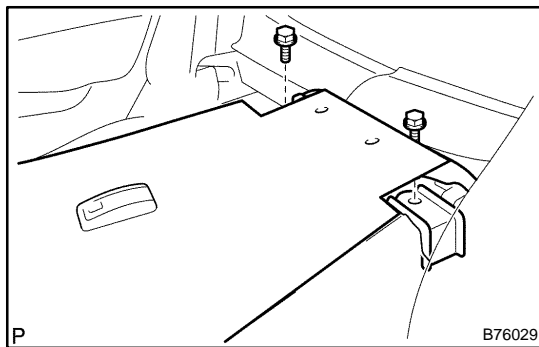
NOTICE:

The cushion frame deforms easily. To avoid deforming the seat cushion, place your hands near the hook and on both sides of the hook, and then pull up on the seat cushion. Do the same for all the hooks.



2. REMOVE REAR SEATBACK ASSY RH

- (a) Remove the bolt and rear seat belt floor anchor.
- (b) Open the front part of the rear floor deck board No. 1.
- (c) Tilting the seatback assy forward.
- (d) Remove the 2 bolts and seatback assy.



3. REMOVE REAR SEATBACK ASSY LH

HINT:

Use the same procedures described for the RH side.

4. REMOVE REAR DOOR SCUFF PLATE RH (See page 76-28)

5. REMOVE REAR DOOR SCUFF PLATE LH (See page 76-28)

6. REMOVE REAR SIDE SEATBACK ASSY RH

- (a) Remove the bolt and side seatback.

7. REMOVE REAR SIDE SEATBACK ASSY LH

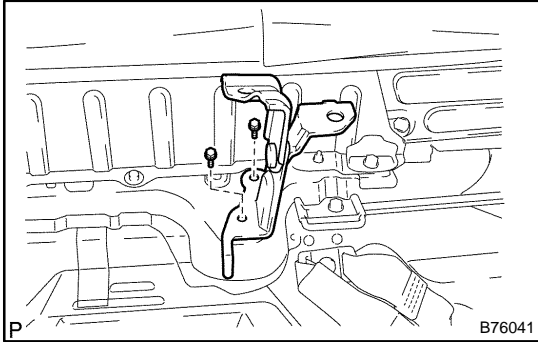
- (a) Remove the bolt and side seatback.

8. REMOVE REAR SEATBACK HINGE SUB-ASSY RH

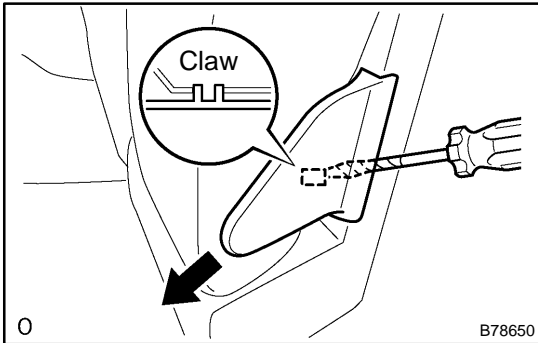
- (a) Remove the bolt and hinge.

9. REMOVE REAR SEATBACK HINGE SUB-ASSY LH

- (a) Remove the bolt and hinge.

**10. REMOVE REAR SEATBACK HINGE SUB-ASSY CENTER**

- (a) Remove the 2 bolts and hinge.

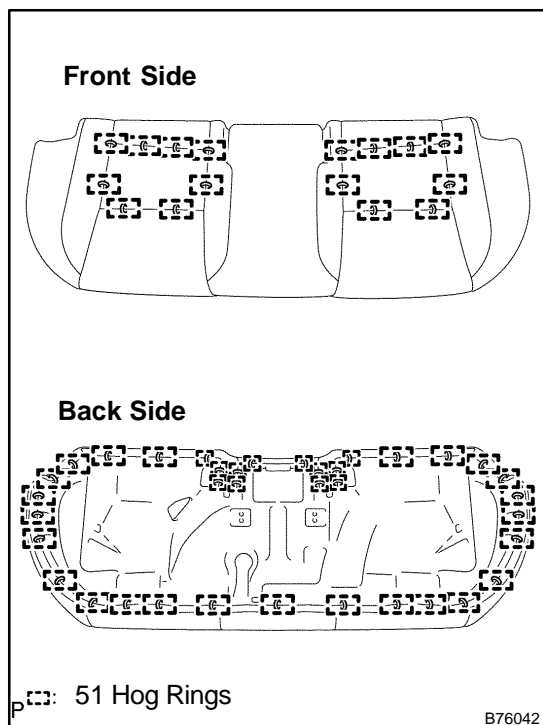
**11. REMOVE REAR SEAT ARMREST ASSY CENTER**

- (a) Using a screwdriver, pry out the armrest hinge cover.

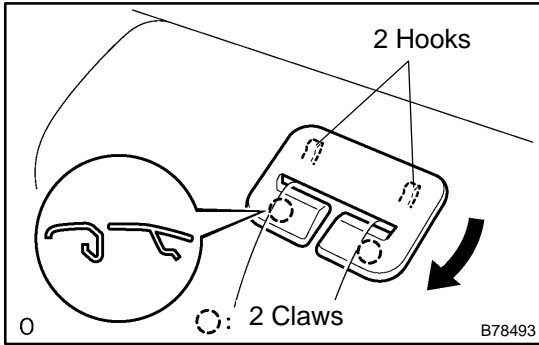
HINT:

Tape the screwdriver tip before use.

- (b) Remove the bolt and armrest.

12. REMOVE REAR SEAT HEADREST ASSY**13. REMOVE REAR SEAT HEADREST ASSY CENTER****14. REMOVE REAR SEAT HEADREST ASSY****15. REMOVE REAR SEAT CUSHION COVER**

- (a) Remove the 51 hog rings and then remove the cover from the rear seat cushion pad.

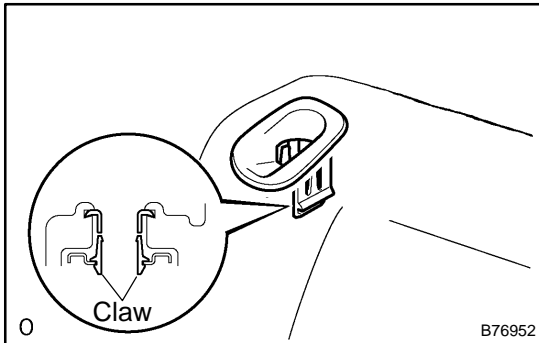


16. REMOVE REAR SEATBACK COVER RH

- (a) Remove the rear seatback lock release button.
- (b) Remove the 2 screws and shoulder belt guide.
- (c) Using a screwdriver, disengage the 2 claws, 2 hooks and remove the shoulder belt cover by pulling it out in the direction indicated by arrow in the illustration.

HINT:

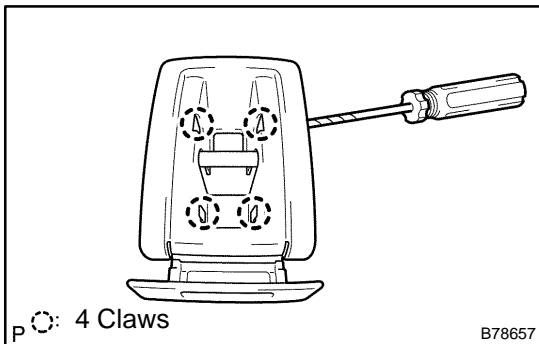
Tape the screwdriver tip before use.



- (d) Using a screwdriver, disengage the claws and remove the seatback stop button grommet.

HINT:

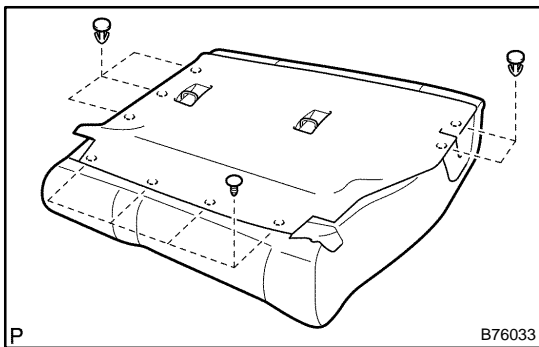
When performing this step, position yourself between the seatback frame and the seatback cover with pad.



- (e) Using a screwdriver, disengage the 4 claws and remove the 2 rear seat back covers.

HINT:

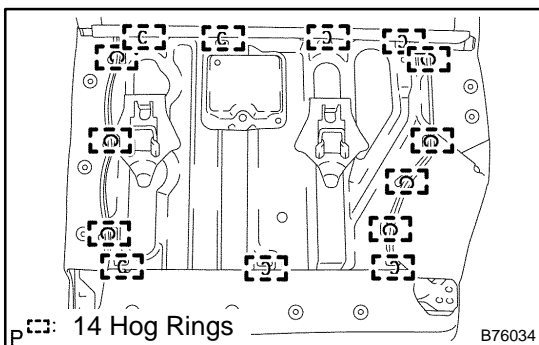
Tape the screwdriver tip before use.



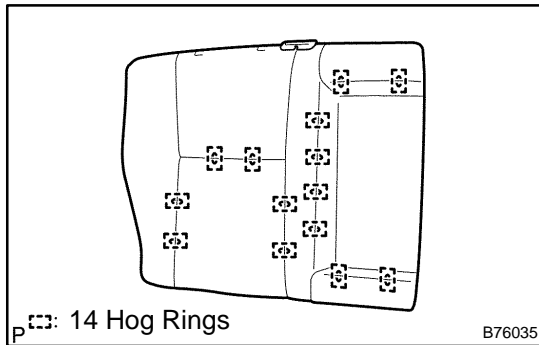
- (f) Using a clip remover, remove the 9 clips.

NOTICE:

If clips are damaged during removal, replace them.



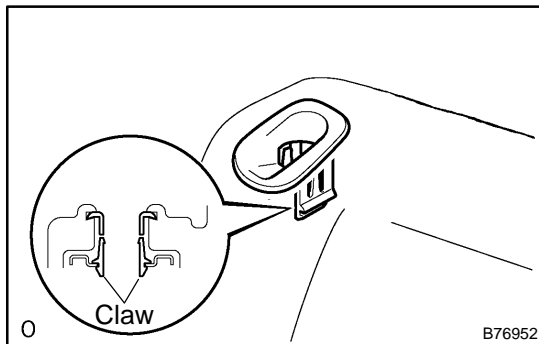
- (g) Lift up the seatback cover and remove the 14 hog rings.
- (h) Remove the 4 headrest supports.
- (i) Remove the rear seatback cover together with the seatback pad.



- (j) Remove the 14 hog rings and cover from the rear seatback pad.

17. REMOVE REAR SEATBACK COVER LH

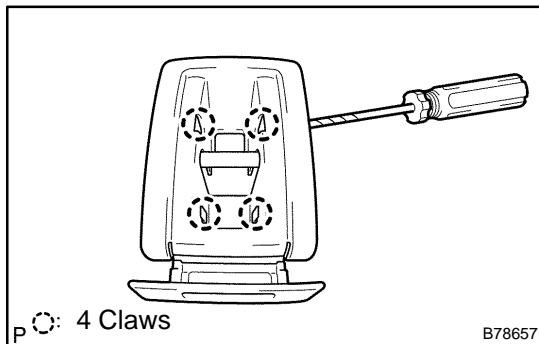
- (a) Remove the rear seatback lock release button.
 (b) Remove the 2 screws and shoulder belt guide.



- (c) Using a screwdriver, disengage the claws and remove the seatback stop button grommet.

HINT:

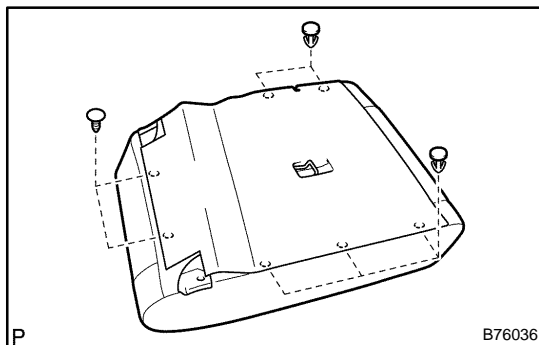
When performing this step, position yourself between the seatback frame and the seatback cover (with pad).



- (d) Using a screwdriver, disengage the 4 claws and remove the rear seat back cover.

HINT:

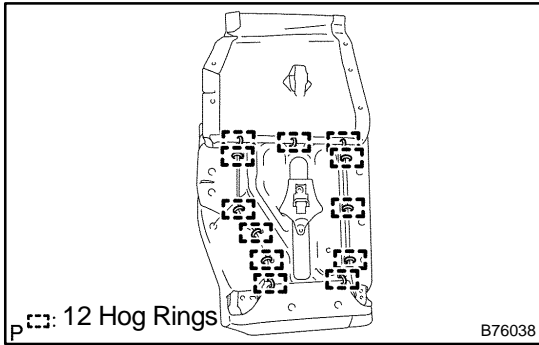
Tape the screwdriver tip before use.



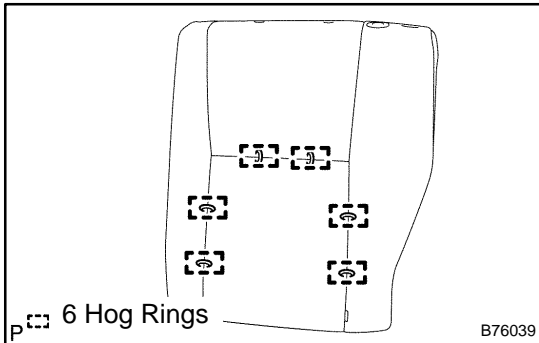
- (e) Using a clip remover, remove the 7 clips.

NOTICE:

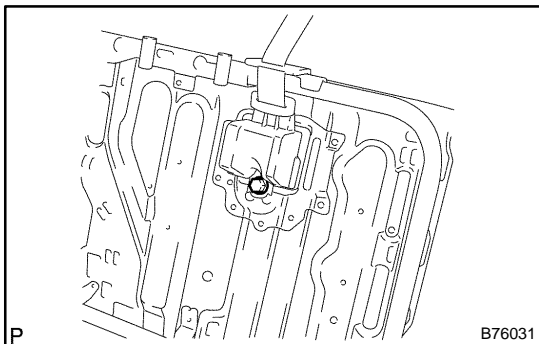
If clips are damaged during removal, replace them.



- (f) Lift up the seatback cover and remove the 12 hog rings.
- (g) Remove the 2 headrest supports.
- (h) Remove the rear seatback cover together with the seatback pad.

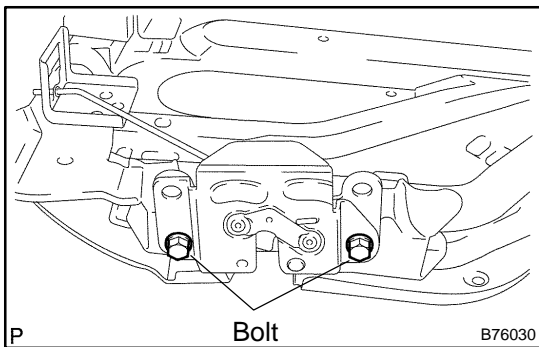


- (i) Remove the 6 hog rings and cover from the rear seatback pad.



18. REMOVE REAR SEAT BELT ASSY OUTER CENTER

- (a) Remove the bolt and belt.



19. REMOVE REAR SEATBACK LOCK ASSY RH

- (a) Remove the 2 bolts and lock.

20. REMOVE REAR SEATBACK LOCK ASSY LH

- (a) Remove the 2 bolts and lock.

21. INSTALL REAR SEAT BELT ASSY OUTER CENTER

- (a) Install the seat belt with the bolt.

Torque: 42 N·m (428 kgf·cm, 31 ft·lbf)

22. INSTALL REAR SEATBACK LOCK ASSY RH

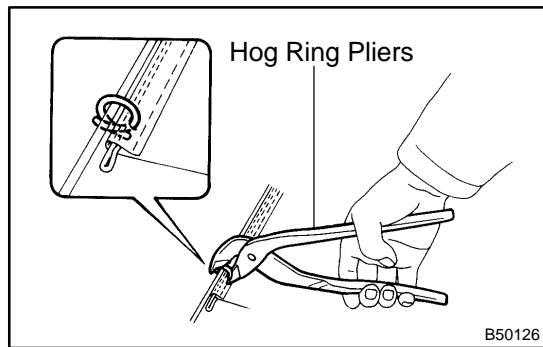
- (a) Install the lock with the 2 bolts.

Torque: 18.1 N·m (185 kgf·cm, 13 ft·lbf)

23. INSTALL REAR SEATBACK LOCK ASSY LH

- (a) Install the lock with the 2 bolts.

Torque: 18.1 N·m (185 kgf·cm, 13 ft·lbf)

**24. INSTALL REAR SEATBACK COVER RH**

- (a) Install the seatback pad.
- (b) Cover the top of the seatback pad with the seatback cover.
- (c) Using hog ring pliers, completely install the seatback cover with new hog rings.

NOTICE:

- **Be careful not to damage the cover.**
- **When installing the hog rings, minimize wrinkles as much as possible.**

25. INSTALL REAR SEATBACK COVER LH

- (a) Install the seatback pad.
- (b) Cover the top of the seatback pad with the seatback cover.
- (c) Using hog ring pliers, completely install the seatback cover with new hog rings.

NOTICE:

- **Be careful not to damage the cover.**
- **When installing the hog rings, minimize wrinkles as much as possible.**

26. INSTALL REAR SEAT CUSHION COVER

- (a) Install the seat cushion.
- (b) Using hog ring pliers, install the cushion cover to the cushion pad with new hog rings.

NOTICE:

- **Be careful not to damage the cover.**
- **When installing the hog rings, minimize wrinkles as much as possible.**

27. INSTALL REAR SEATBACK HINGE SUB-ASSY CENTER

- (a) Install the hinge with the 2 bolt.

Torque: 18.1 N·m (185 kgf·cm, 13 ft·lbf)

28. INSTALL REAR SEATBACK HINGE SUB-ASSY RH

- (a) Install the hinge with the bolt.

Torque: 18.1 N·m (185 kgf·cm, 13 ft·lbf)

29. INSTALL REAR SEATBACK HINGE SUB-ASSY LH

- (a) Install the hinge with the bolt.

Torque: 18.1 N·m (185 kgf·cm, 13 ft·lbf)

30. INSTALL REAR SEATBACK ASSY RH

- (a) Install the seatback with the 2 bolts.

Torque: 36.8 N·m (375 kgf·cm, 27 ft·lbf)

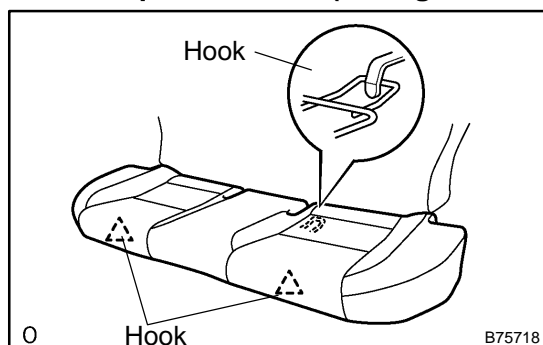
- (b) Install the rear seat belt floor anchor with the bolt.

Torque: 42 N·m (428 kgf·cm, 31 ft·lbf)

31. INSTALL REAR SEATBACK ASSY LH

- (a) Install the seatback with the 2 bolts.

Torque: 36.8 N·m (375 kgf·cm, 27 ft·lbf)

**32. INSTALL REAR SEAT CUSHION ASSY**

- (a) Place 1 hook in the body firmly.
- (b) Insert the frame into the 2 hooks.

HINT:

Confirm that the seat cushion is firmly installed.