

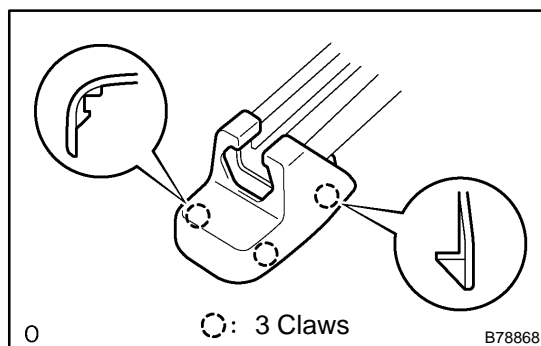
OVERHAUL

CAUTION:

- Wear protective gloves. Sharp surfaces on the seatback frame and seat adjuster can cause injuries to your hands.
- Work must be started at least 90 seconds after the power switch's power mode is changed to OFF and the negative (–) terminal cable is disconnected from the battery.
(The SRS is equipped with a back-up power source. If work is started within 90 seconds from changing the power switch's power mode to OFF and disconnecting the battery's negative (–) terminal cable, the SRS may deploy.)

HINT:

- The installation procedures are the removal procedures in reverse order. However, only installation procedures requiring additional information are included.
- Use the same procedures for the RH side and LH side.
- A bolt without a torque specification is shown in the standard bolt chart (see page 03-2).

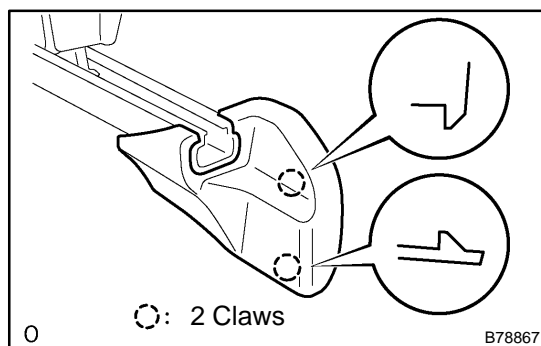


1. REMOVE SEAT TRACK BRACKET COVER INNER LH

- (a) Using a screwdriver, disengage the 3 claws and remove the bracket cover.

HINT:

Tape the screwdriver tip before use.



2. REMOVE SEAT TRACK OUTER COVER LH

- (a) Using a screwdriver, disengage the 2 claws and remove the bracket cover.

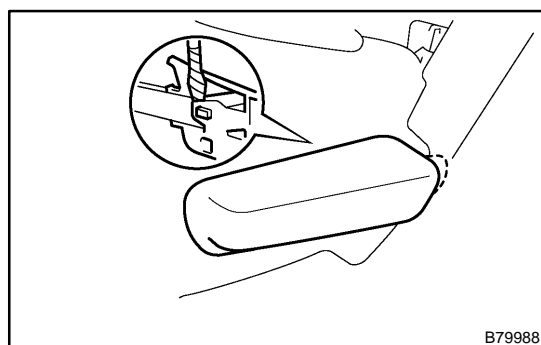
HINT:

Tape the screwdriver tip before use.

3. REMOVE FRONT SEAT HEADREST ASSY

4. REMOVE FRONT SEAT ASSY

- (a) Remove the 4 bolts and seat.
(b) Disconnect the connectors under the seat.

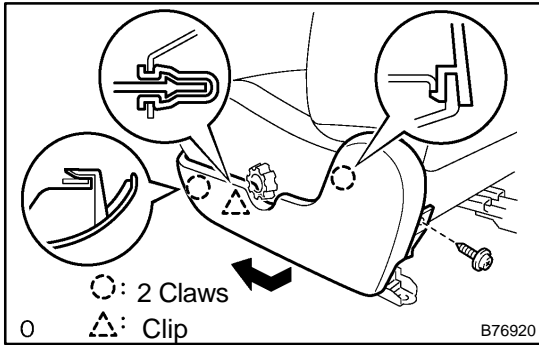


5. REMOVE RECLINING ADJUSTER RELEASE HANDLE LH

- (a) Using a screwdriver, pry out the reclining adjuster release handle.

HINT:

Tape the screwdriver tip before use.



6. REMOVE FRONT SEAT CUSHION SHIELD LH

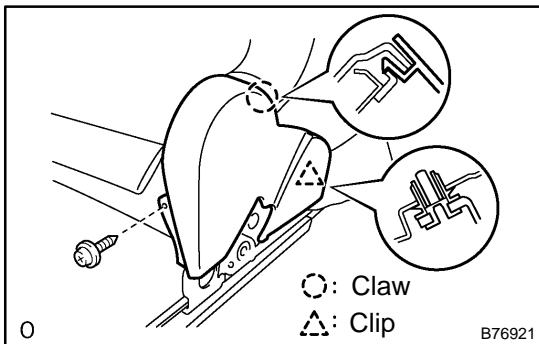
- (a) Remove the screw.
- (b) Using a screwdriver, disengage the 2 claws and clip, and remove the cushion shield.

HINT:

Tape the screwdriver tip before use.

7. REMOVE FRONT SEAT INNER BELT ASSY LH

- (a) Disconnect the connectors.
- (b) Remove the nut and front seat inner belt.

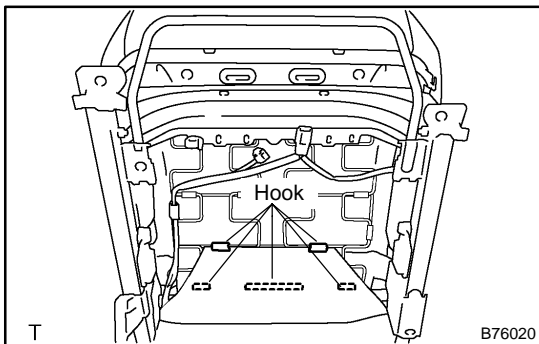


8. REMOVE FRONT SEAT CUSHION SHIELD INNER LH

- (a) Remove the screw.
- (b) Using a screwdriver, disengage the claw and clip, and remove the cushion shield.

HINT:

Tape the screwdriver tip before use.



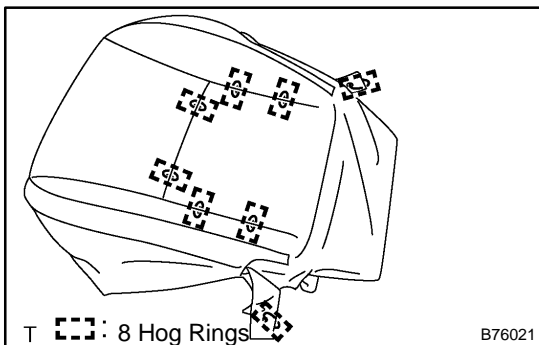
9. REMOVE FRONT SEAT CUSHION COVER

- (a) Using a screwdriver, disengage the 5 hooks under the seat.

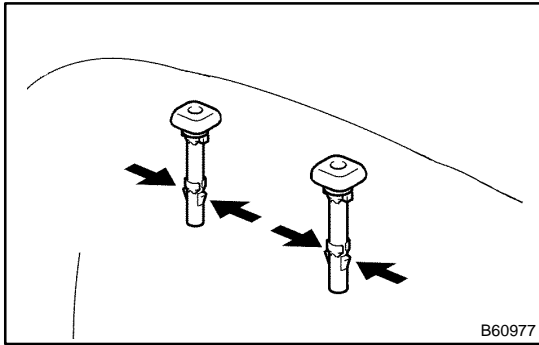
HINT:

Tape the screwdriver tip before use.

- (b) Disengage the 5 hooks and remove the hog rings and seat cushion cover together with the pad.

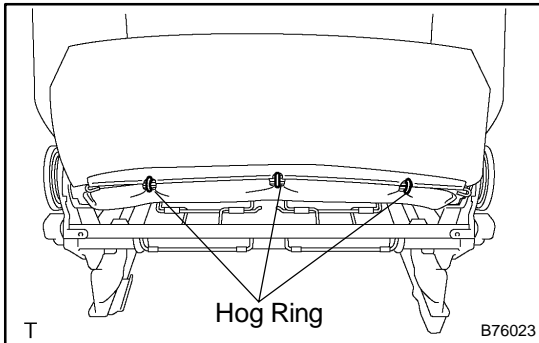


- (c) Remove the 8 hog rings and cushion cover.

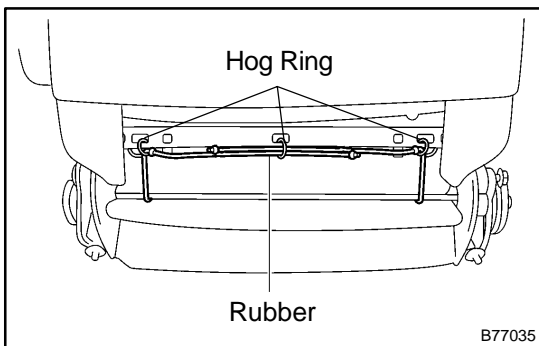


10. REMOVE FRONT SEATBACK COVER

(a) Remove the 2 headrest supports.

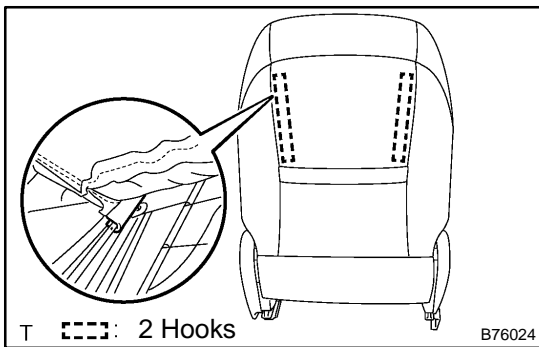


(b) Lift up the seatback cover and remove the 3 hog rings.



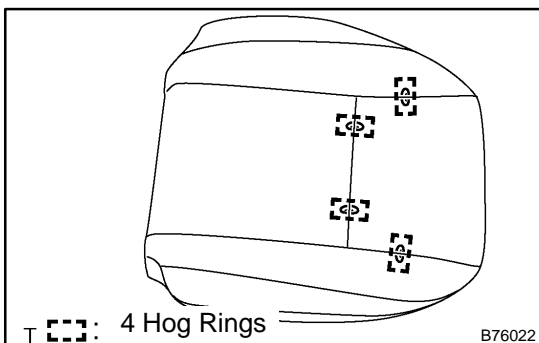
(c) Remove the 3 hog rings.

(d) w/ Side airbag:
Remove the nut and seatback cover bracket.



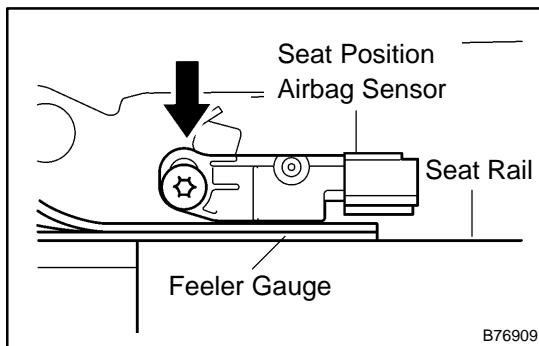
(e) Using a screwdriver, disengage the 2 hooks and remove the seatback cover together with the pad.

HINT:
Tape the screwdriver tip before use.



(f) Remove the 4 hog rings and seatback cover.

11. **REMOVE RECLINING ADJUSTER INSIDE COVER RH (UPPER)**
 - (a) Remove the screw and cover.
12. **REMOVE RECLINING ADJUSTER INSIDE COVER LH (UPPER)**
 - (a) Remove the screw and cover.
13. **REMOVE RECLINING ADJUSTER INSIDE COVER RH (LOWER)**
 - (a) Remove the screw and cover.
14. **REMOVE RECLINING ADJUSTER INSIDE COVER LH (LOWER)**
 - (a) Remove the screw and cover.
15. **REMOVE FRONT SEAT CUSHION SHIELD LOWER RH**
 - (a) Disengage the claw and cushion shield.
16. **REMOVE FRONT SEAT CUSHION SHIELD LOWER LH**
 - (a) Disengage the claw and cushion shield.
17. **Driver's seat only:**
REMOVE SEAT POSITION AIRBAG SENSOR
 - (a) Disconnect the wire harness connector.
 - (b) Disengage the claw and remove the seat slide position protector.
 - (c) Using a torx socket wrench (T30), remove the torx bolt and airbag sensor.



18. **Driver's seat only:**
INSTALL SEAT POSITION AIRBAG SENSOR
 - (a) Temporarily install the seat position airbag sensor.
 - (b) Install a 1 mm (0.04 in.) feeler gauge between the slide rail and sensor as shown in the illustration.

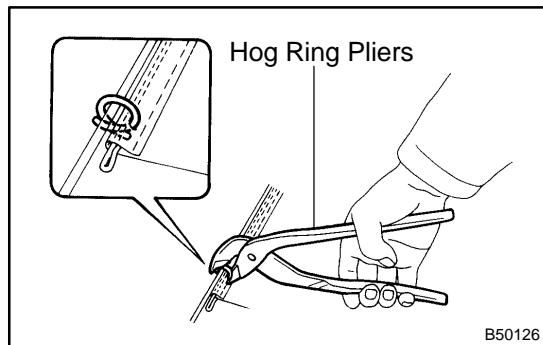
NOTICE:

- **If the seat position airbag sensor has been dropped, or there are any cracks, dents or other defects in the case, bracket or connector, replace the seat position airbag sensor with a new one.**
- **When installing the seat position airbag sensor, be careful that the SRS wiring does not interfere with other parts and is not pinched between other parts.**

HINT:

Be sure that the clearance between the seat position airbag sensor and the seat rail is within 0.6 mm (0.023 in.) to 2 mm (0.079 in.).

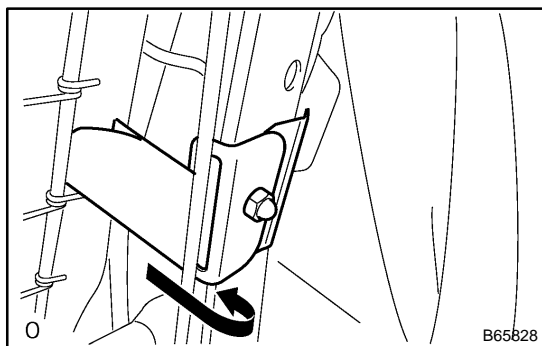
- (c) Push the top of the sensor. While holding the sensor, tighten the sensor using a torx socket wrench (T30).
Torque: 8.0 N·m (82 kgf·cm, 71 in.-lbf)
- (d) Install the seat slide position protector.
- (e) Connect the wire harness connector.

**19. INSTALL FRONT SEATBACK COVER**

- (a) Install the seatback pad.
- (b) Cover the top of the seatback pad with the seatback cover.
- (c) Using hog ring pliers, install the seatback cover completely with new hog rings.

NOTICE:

- **Be careful not to damage the cover.**
- **When installing the hog rings, minimize wrinkles as much as possible.**
- (d) Install the 2 headrest supports.

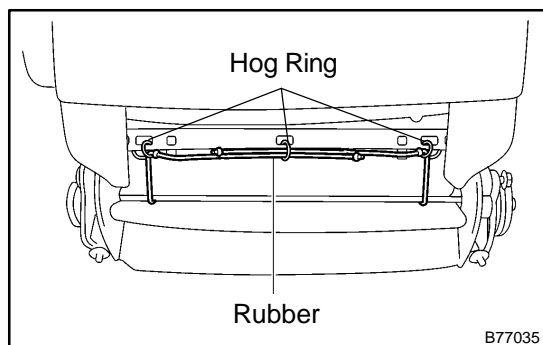


- (e) w/ Side airbag:
Fully cover the airbag with the seatback cover bracket and tighten the nut.

Torque: 5.5 N·m (56 kgf·cm, 49 in.-lbf)

NOTICE:

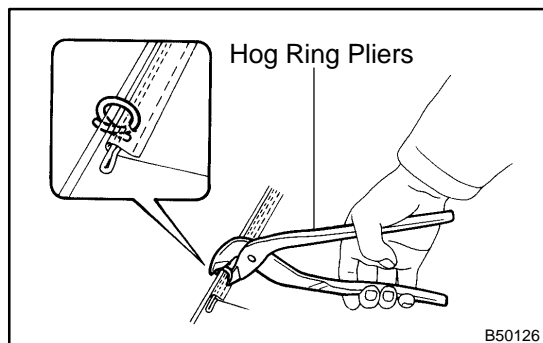
- **For vehicles with side airbags, the seatback cover must be securely installed. Otherwise, the side airbag may not deploy properly.**
- **Make sure that the strap is not twisted after installing the bracket.**
- **Install the bracket securely.**



- (f) As shown in the illustration, attach a rubber with new hog rings.
- (g) Using hog ring pliers, install new hog rings.

NOTICE:

- **Be careful not to damage the cover.**
- **When installing the hog rings, minimize wrinkles as much as possible.**

**20. INSTALL FRONT SEAT CUSHION COVER**

- (a) Using hog ring pliers, install the cushion cover to the cushion pad with new hog rings.

NOTICE:

- **Be careful not to damage the cover.**
- **When installing the hog rings, minimize wrinkles as much as possible.**

21. INSTALL FRONT SEAT INNER BELT ASSY LH

- (a) Install the inner belt with the nut.
Torque: 42 N·m (428 kgf·cm, 31 ft·lbf)
- (b) Connect the connectors.
- (c) Check that the inner seat belt moves smoothly.

22. INSTALL FRONT SEAT ASSY

- (a) Place the seat in the cabin.
- (b) Connect the connectors under the seat.
- (c) Tighten the 2 bolts on the front side of the seat.
Torque: 37 N·m (377 kgf·cm, 27 ft·lbf)
- (d) Tighten the 2 bolts on the rear side of the seat.
Torque: 37 N·m (377 kgf·cm, 27 ft·lbf)
- (e) Install the 2 seat track covers.
- (f) Install the headrest.
- (g) Connect the negative battery terminal.

NOTICE:

When disconnecting the negative (-) battery terminal, initialize the following systems after the terminal is reconnected.

System Name	See Page
Power Window Control System	01-28

- (h) Check the SRS warning lamp (see page [60-1](#)).