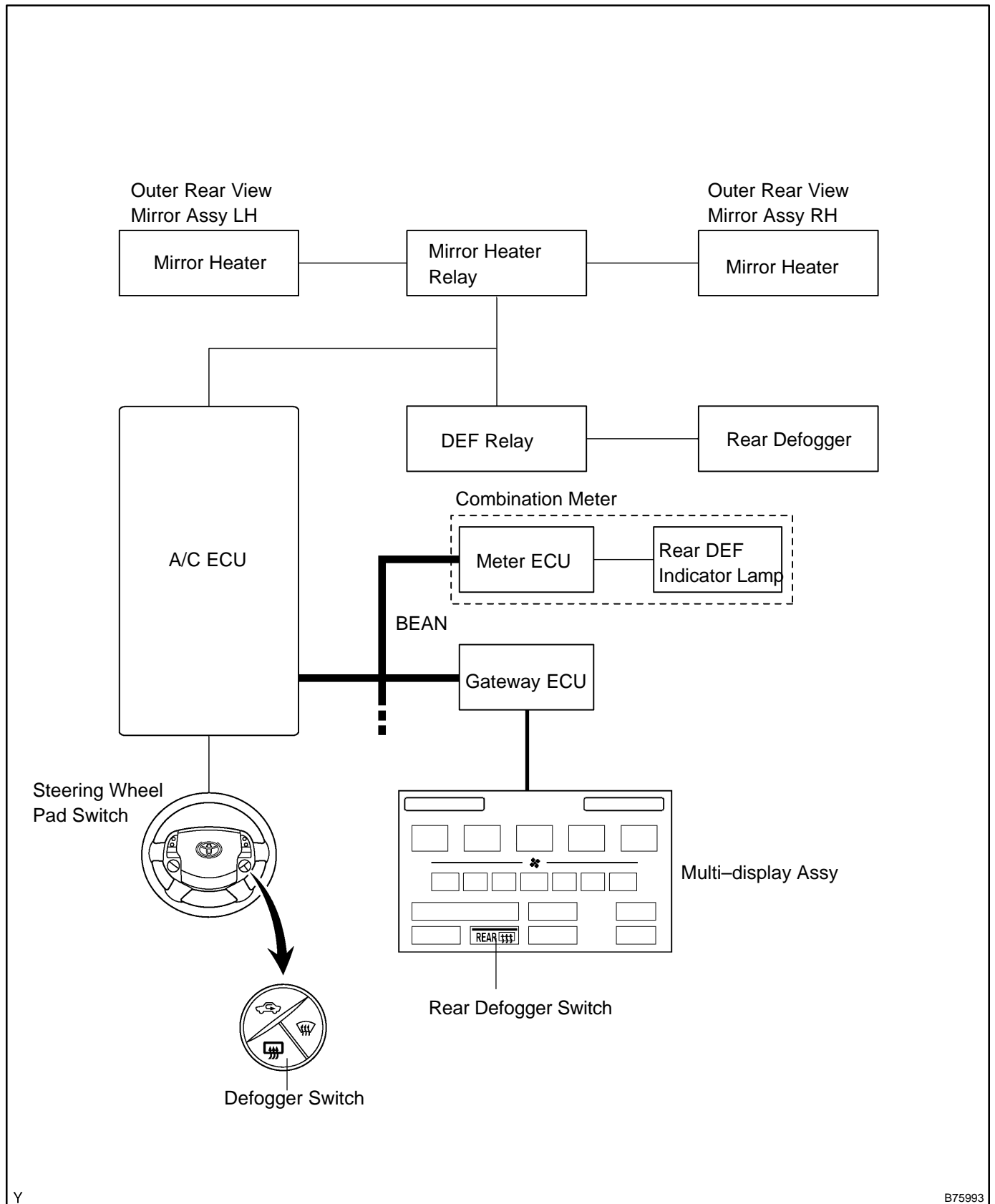


SYSTEM DIAGRAM



DESCRIPTION

The defogger system uses the heater wire in the rear windshield glass to defog the rear windshield glass. The circuit of this system is shared with the outside rear view mirror heater system, which operates in the same manner.