

# FRONT SIDE FIX WINDOW REPLACEMENT

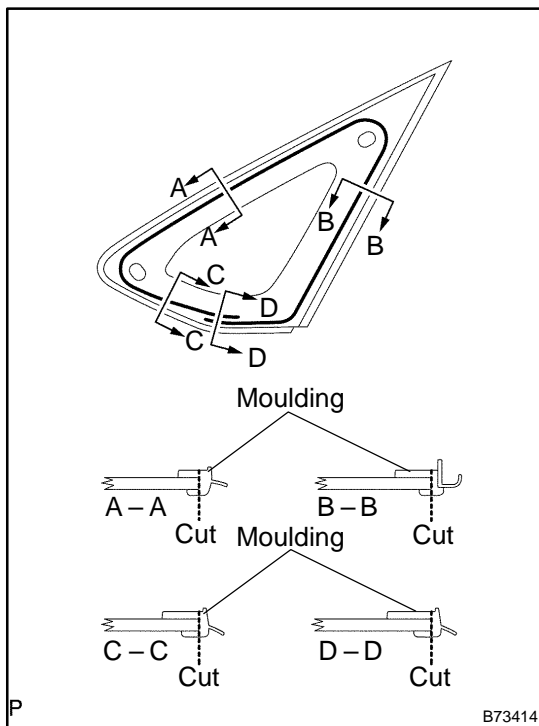
7012L-01

## HINT:

- The installation procedures are the removal procedures in reverse order. However, only installation procedures requiring additional information are included.
- Use the same procedures for the LH side and RH side.
- The procedures listed below are for the LH side.

### 1. REMOVE FRONT PILLAR GARNISH ASSY (See page 76-28)

- Remove the front door scuff plate LH.
- Remove the cowl side trim board LH.
- Remove the front door opening trim weatherstrip.
- Remove the front pillar garnish corner piece.
- Remove the front pillar garnish.



### 2. REMOVE FRONT SIDE FIX WINDOW

- Using a knife, cut off the moulding, as shown in the illustration.

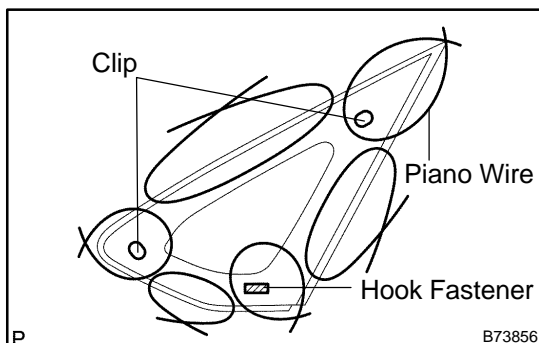
#### NOTICE:

**Be careful not to damage the vehicle body with the knife.**

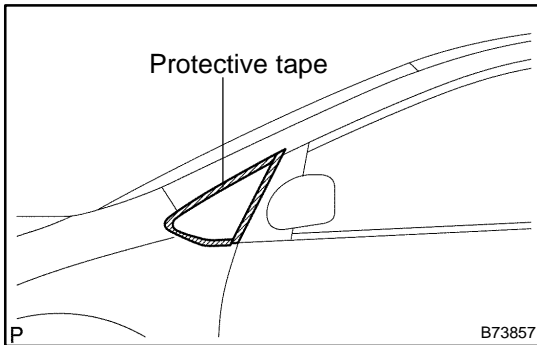
- Remove the remaining moulding.

#### HINT:

Make a partial cut in the moulding. Then pull and remove it by hand.



- From the interior, insert piano wires between the vehicle body and glass, as shown in the illustration.
- Tie objects that can serve as handles (for example, wooden blocks) to all wire ends.

**HINT:**

Apply protective tape to the outer surface of the vehicle body to prevent its surface from being scratched.

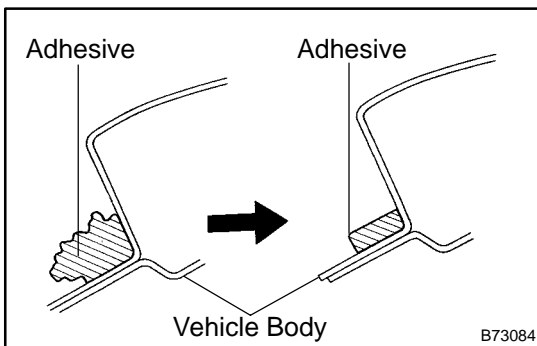
**NOTICE:**

**When separating the glass from the vehicle, be careful not to damage the vehicle's paint or interior / exterior ornaments.**

- (e) Cut through the adhesive by pulling the piano wire around the glass.
- (f) Using a suction cup, remove the glass.

**NOTICE:**

**Leave as much adhesive on the vehicle body as possible when removing the glass.**

**3. CLEAN VEHICLE BODY**

- (a) Clean and shape the contact surface of the vehicle body.
  - (1) Using a knife, cut away any rough adhesive on the contact surface of the vehicle body to ensure the appropriate surface shape.

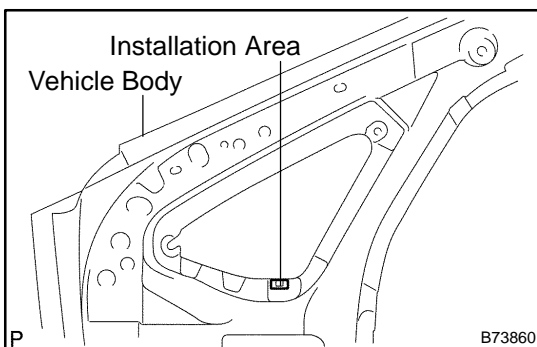
**HINT:**

Leave as much adhesive on the vehicle body as possible.

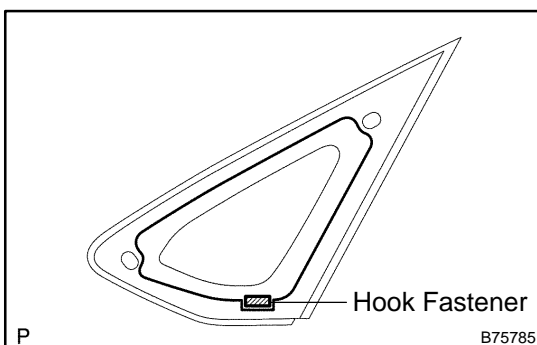
- (2) Clean the contact surface of the vehicle body with a piece of shop rag saturated with cleaner.

**HINT:**

Even if all the adhesive has been removed, clean the vehicle body.

**4. INSTALL QUARTER PANEL SPACER**

- (a) Install a new spacer to the vehicle body, as shown in the illustration.

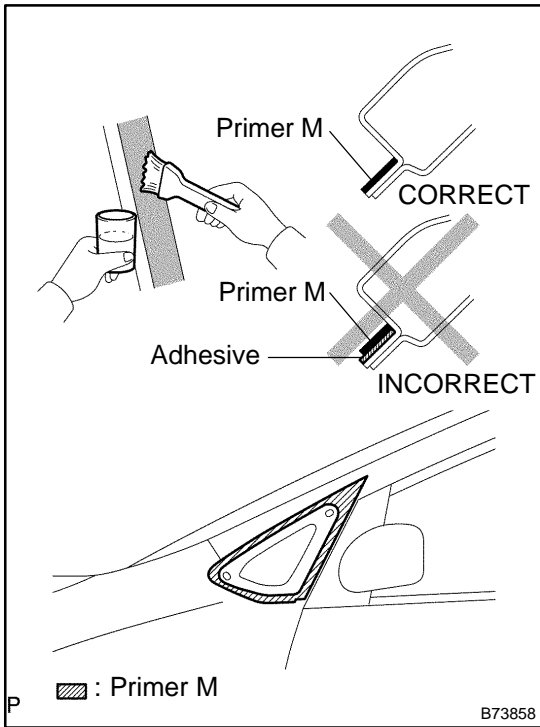
**5. INSTALL HOOK FASTENER**

- (a) Coat the installation part of the hook fastener with Primer G.

**NOTICE:**

- **Allow the primer coating to dry for 3 minutes or more.**
- **Throw away any leftover Primer G.**
- **Do not apply too much Primer G.**

- (b) Install new hook fastener onto the glass, as shown in the illustration.



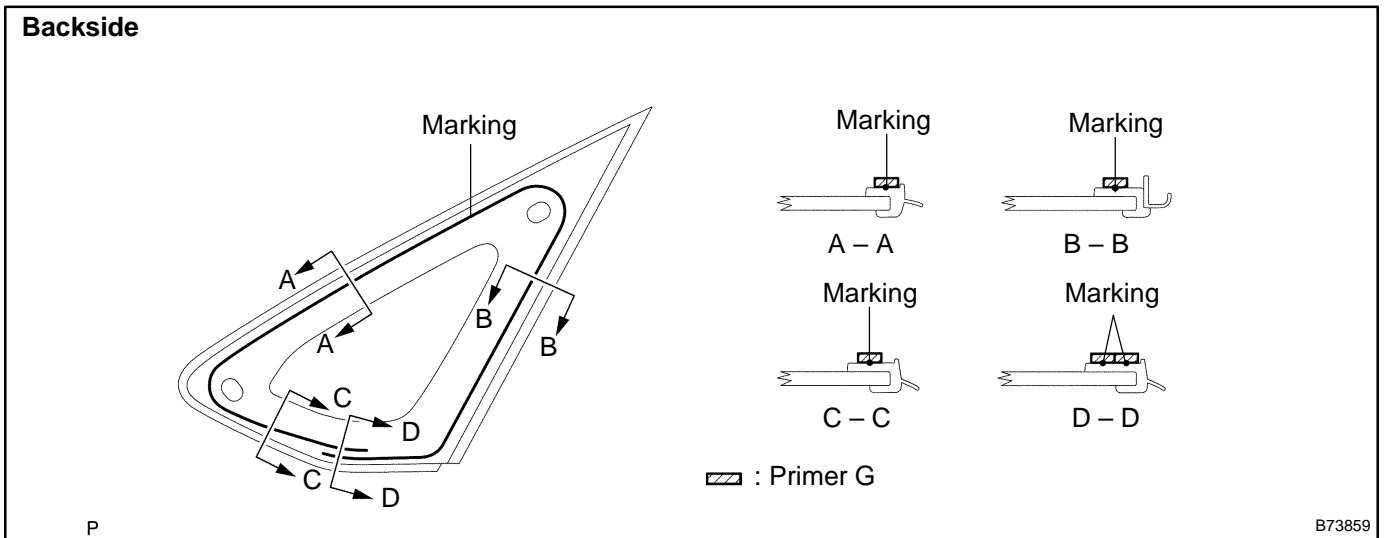
**6. INSTALL FRONT SIDE FIX WINDOW**

(a) Using a brush, coat the exposed part of the vehicle body with Primer M.

**NOTICE:**

- Allow the primer coating to dry for 3 minutes or more.
- Do not coat the adhesive with Primer M.
- Throw away any leftover Primer M.
- Do not apply too much Primer M.

(b) Using a brush or sponge, coat the edge of the glass and the contact surface with Primer G.



**HINT:**

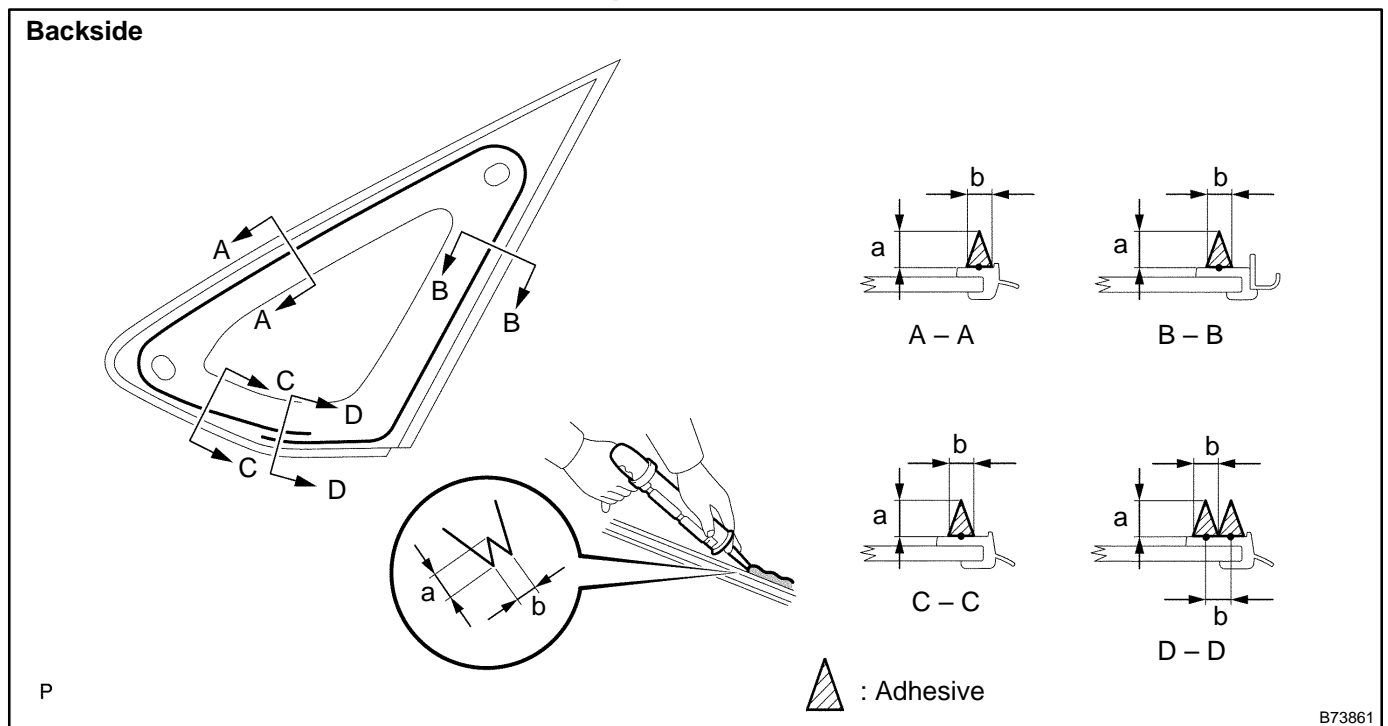
If an area other than that specified is coated by accident, wipe off the primer with a clean shop rag before it dries.

**NOTICE:**

- Allow the primer coating to dry for 3 minutes or more.
- Throw away any leftover Primer G.
- Do not apply too much Primer G.

(c) Apply adhesive.

**Adhesive: Part No. 08850-00801 or equivalent**



(1) Cut off the tip of the cartridge nozzle, as shown in the illustration.

**HINT:**

After cutting off the tip, use all adhesive within the time described in the table

**Usage timeframe:**

Temperature	Usage Timeframe
35°C (95°F)	15 minutes
20°C (68°F)	1 hour 40 minutes
5°C (41°F)	8 hours

(2) Load the sealer gun with the cartridge.

(3) Coat the glass with adhesive, as shown in the illustration.

**Specification:**

Area	Measurement
a	8 mm (0.31 in.)
b	6 mm (0.24 in.)

(d) Install the front side fix window to the vehicle body.

(1) Hold the front side fix window in place securely with protective tape or equivalent until the adhesive hardens.

**NOTICE:**

- **Allow the primer coating to dry for 3 minutes or more.**
- **Check that the hook fastener and clips are attached to the vehicle body correctly.**
- **Check that the vehicle body and glass have a small gap between them.**

- (2) Lightly press the front surface of the glass to ensure that the glass is securely fit to the vehicle body.

**NOTICE:**

**Do not drive the vehicle for the amount of time described in the table below.**

**Minimum time:**

Temperature	Minimum time prior to driving vehicle
35°C (95°F)	1 hour 30 minutes
20°C (68°F)	5 hours
5°C (41°F)	24 hours

**7. CHECK FOR LEAKS AND REPAIR**

- (a) Conduct a leak test after the adhesive has completely hardened.  
 (b) Seal any leaks with auto glass sealer.