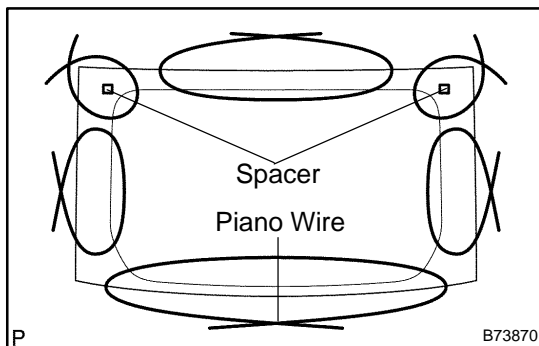


## REPLACEMENT

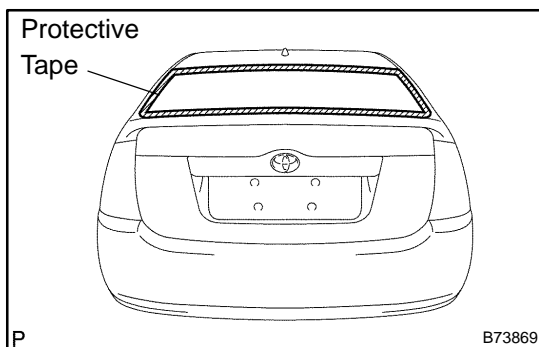
### HINT:

- The installation procedures are the removal procedures in reverse order. However, only installation procedures requiring additional information are included.
  - A bolt without a torque specification is shown in the standard bolt chart (see page 03-2).
1. **w/ Rear wiper:**  
**REMOVE REAR WIPER ARM ASSY (See page 66-19)**
  2. **REMOVE BACK DOOR SIDE GARNISH (See page 76-23)**
    - (a) Remove the back door trim board (lower).
    - (b) Remove the back door trim board (upper).
    - (c) Remove the back door trim panel upper.
    - (d) Remove the back door side garnish LH and RH.
  3. **w/ Rear wiper:**  
**REMOVE REAR WIPER MOTOR ASSY (See page 66-19)**
  4. **REMOVE REAR SPOILER SUB-ASSY (See page 76-10)**



### 5. REMOVE BACK DOOR GLASS

- (a) From the interior, insert piano wires between the vehicle body and glass, as shown in the illustration.
- (b) Tie objects that can serve as handles (for example, wooden blocks) to all wire ends.



### HINT:

Apply protective tape to the outer surface of the vehicle body to prevent its surface from being scratched.

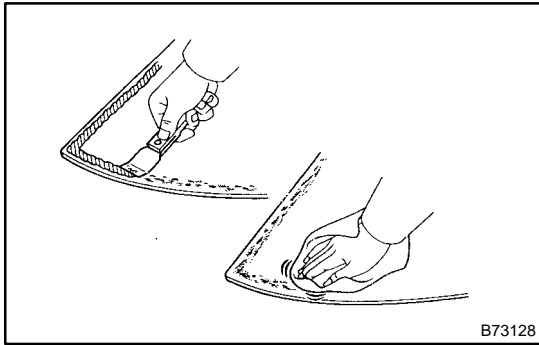
### NOTICE:

**When separating the glass from the vehicle, be careful not to damage the vehicle's paint or interior / exterior ornaments.**

- (c) Cut through the adhesive by pulling the piano wire around the glass.
- (d) Using a suction cup, remove the glass.

### NOTICE:

**Leave as much adhesive on the vehicle body as possible when removing the glass.**

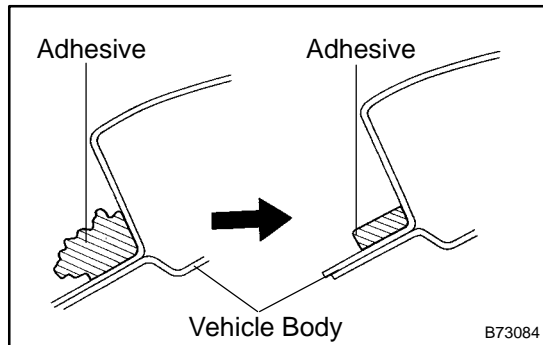


## 6. CLEAN BACK DOOR GLASS

- (a) Using a scraper, remove the spacer, dam, moulding and adhesive sticking to the glass.
- (b) Clean the outer circumference of the glass with white gasoline.

### NOTICE:

- Do not touch the glass surface after cleaning it.
- Even if using new glass, clean the glass with white gasoline.



## 7. CLEAN VEHICLE BODY

- (a) Clean and shape the contact surface of the vehicle body.
  - (1) Using a knife, cut away any rough adhesive on the contact surface of the vehicle body to ensure the appropriate surface shape.

### NOTICE:

**Be careful not to damage the vehicle body.**

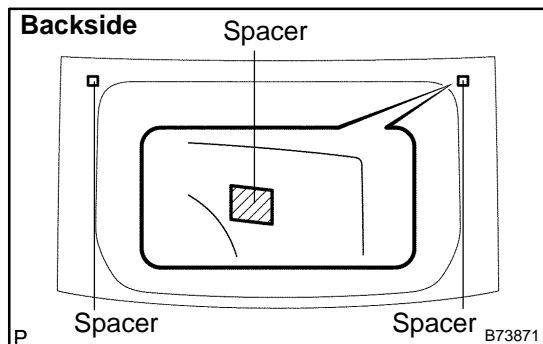
### HINT:

Leave as much adhesive on the vehicle body as possible.

- (2) Clean the contact surface of the vehicle body with a piece of shop rag saturated with cleaner.

### HINT:

Even if all the adhesive has been removed, clean the vehicle body.



## 8. INSTALL BACK WINDOW GLASS SPACER

- (a) Coat the installation part of the spacers with Primer G.

### NOTICE:

- Allow the primer coating to dry for 3 minutes or more.
- Throw away any leftover Primer G.
- Do not apply too much Primer G.

- (b) Install 2 new spacers onto the glass, as shown in the illustration.

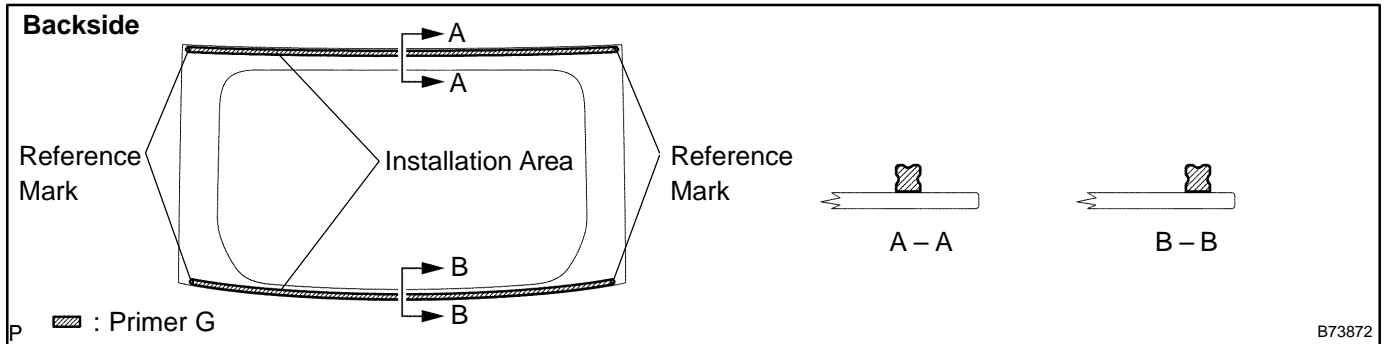
**9. INSTALL BACK DOOR GLASS ADHESIVE DAM**

(a) Coat the installation part of the back door glass adhesive dams with Primer G.

**NOTICE:**

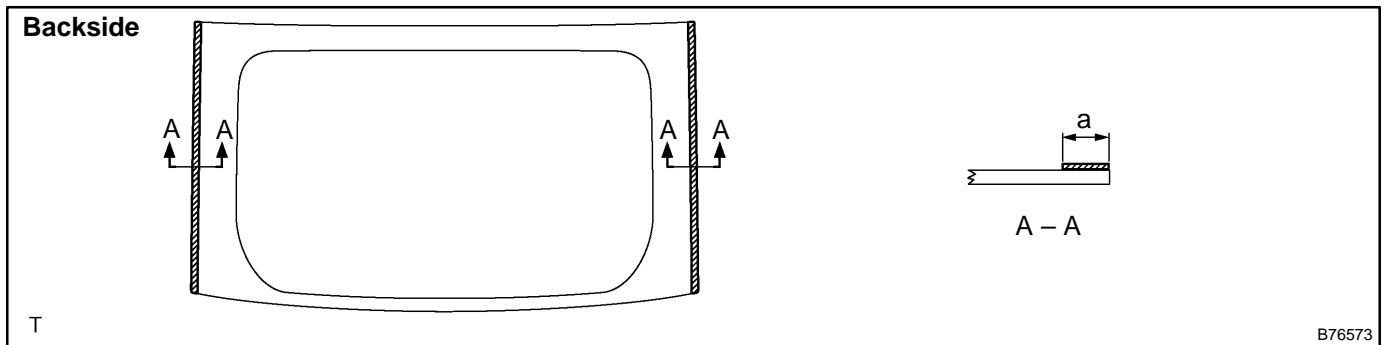
- Allow the primer coating to dry for 3 minutes or more.
- Throw away any leftover Primer G.
- Do not apply too much Primer G.

(b) Install the new dam, as shown in the illustration.



**10. INSTALL BACK WINDOW MOULDING OUTSIDE**

(a) Using a brush or sponge, coat the edge of the glass and the contact surface with Primer G.



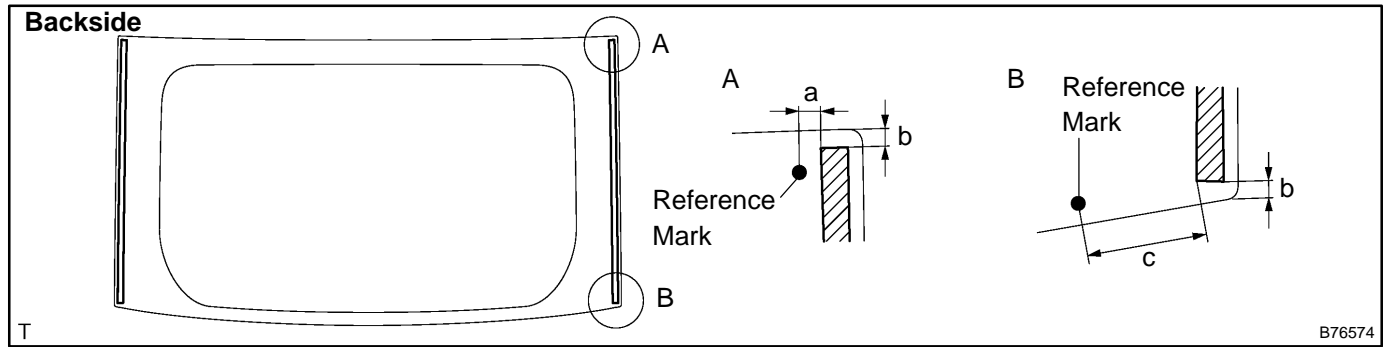
**NOTICE:**

- Allow the primer coating to dry for 3 minutes or more.
- Throw away any leftover Primer G.
- Do not apply too much Primer G.

**Specification:**

Area	Measurement
a	10 mm (0.39 in.)

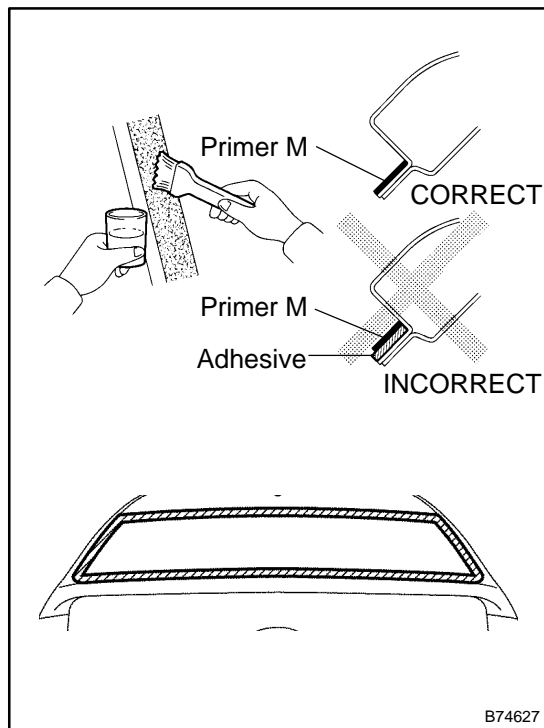
(b) Install the moulding.



B76574

**Specification:**

Area	Measurement
a	4.5 mm (0.18 in.)
b	1.5 mm (0.06 in.)
c	24.2 mm (0.95 in.)



B74627

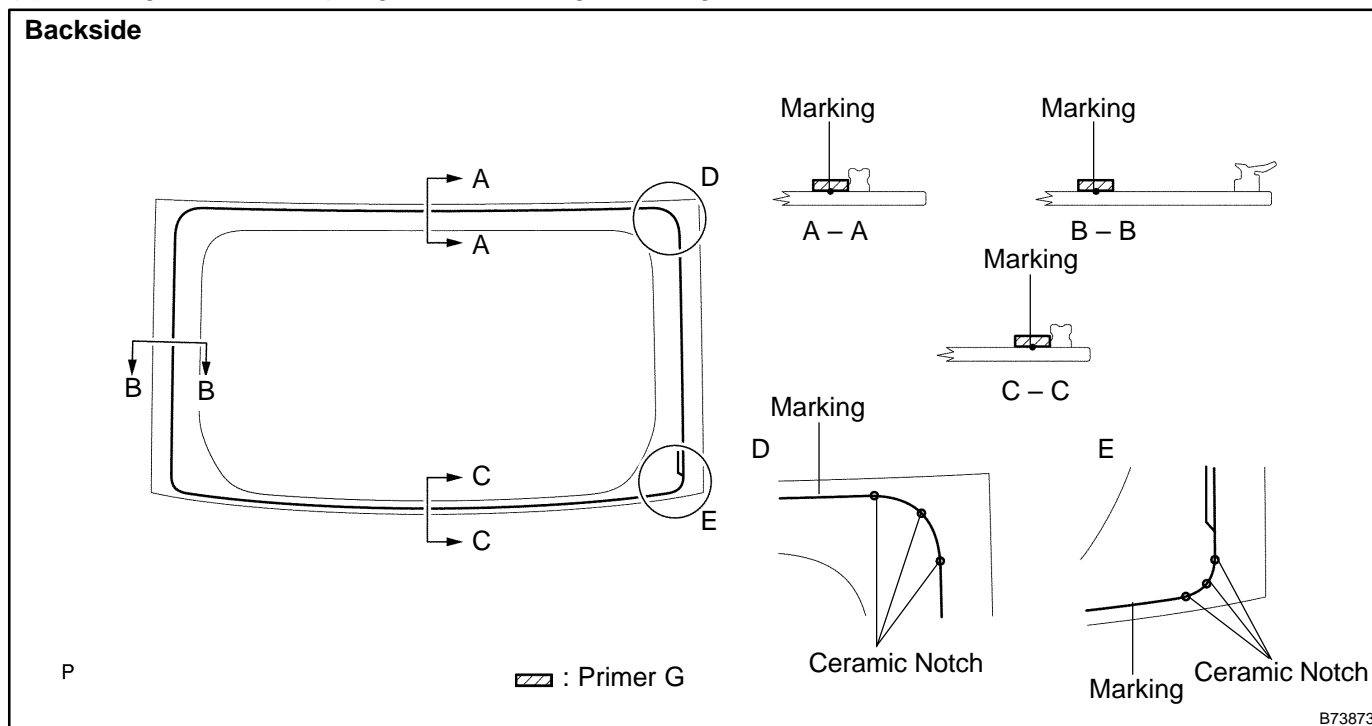
**11. INSTALL BACK DOOR GLASS**

(a) Using a brush, coat the exposed part of the vehicle body with Primer M.

**NOTICE:**

- Allow the primer coating to dry for 3 minutes or more.
- Do not coat the adhesive with Primer M.
- Throw away any leftover Primer M.
- Do not apply too much Primer M.

(b) Using a brush or sponge, coat the edge of the glass and the contact surface with Primer G.



**HINT:**

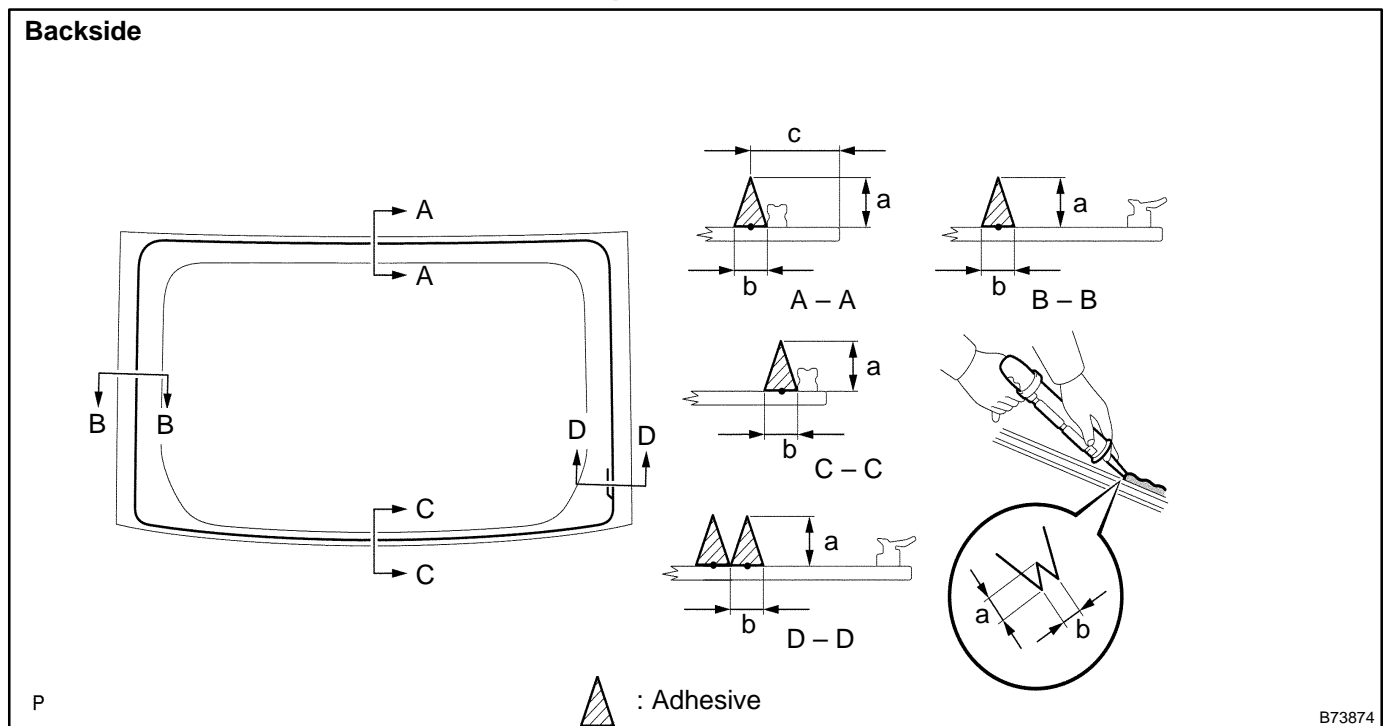
If an area other than that specified is coated by accident, wipe off the primer with a clean shop rag before it dries.

**NOTICE:**

- Allow the primer coating to dry for 3 minutes or more.
- Throw away any leftover Primer G.
- Do not apply too much Primer G.

(c) Apply adhesive.

**Adhesive: Part No. 08850-00801 or equivalent**



(1) Cut off the tip of the cartridge nozzle, as shown in the illustration.

**HINT:**

After cutting off the tip, use all adhesive within the time described in the table below.

**Usage timeframe:**

Temperature	Usage Timeframe
35°C (95°F)	15 minutes
20°C (68°F)	1 hour 40 minutes
5°C (41°F)	8 hours

(2) Load the sealer gun with the cartridge.

(3) Coat the glass with adhesive, as shown in the illustration.

**Specification:**

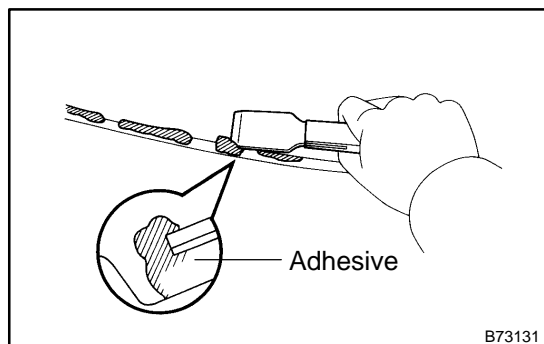
Area	Measurement
a	12 mm (0.47 in.)
b	8 mm (0.31 in.)
c	14.5 mm (0.57 in.)

(d) Install the back window glass to the vehicle body.

(1) Hold the back window glass in place securely with protective tape or equivalent until the adhesive hardens.

**NOTICE:**

- **Allow the primer coating to dry for 3 minutes or more.**
  - **Check that the spacers are attached to the vehicle body correctly.**
  - **Check that the vehicle body and glass have a small gap between them.**
- (2) Lightly press the front surface of the glass to ensure that the glass is securely fit to the vehicle body.



- (3) Using a scraper, remove any excess or protruding adhesive.

**HINT:**

Apply adhesive onto the glass rim.

**NOTICE:**

**Do not drive the vehicle for the amount of time described in the table below.**

**Minimum time:**

Temperature	Minimum time prior to driving vehicle
35° C (95° F)	1 hour 30 minutes
20° C (68° F)	5 hours
5° C (41° F)	24 hours

**12. CHECK FOR LEAKS AND REPAIR**

- (a) Conduct a leak test after the adhesive has completely hardened.  
 (b) Seal any leaks with auto glass sealer.