

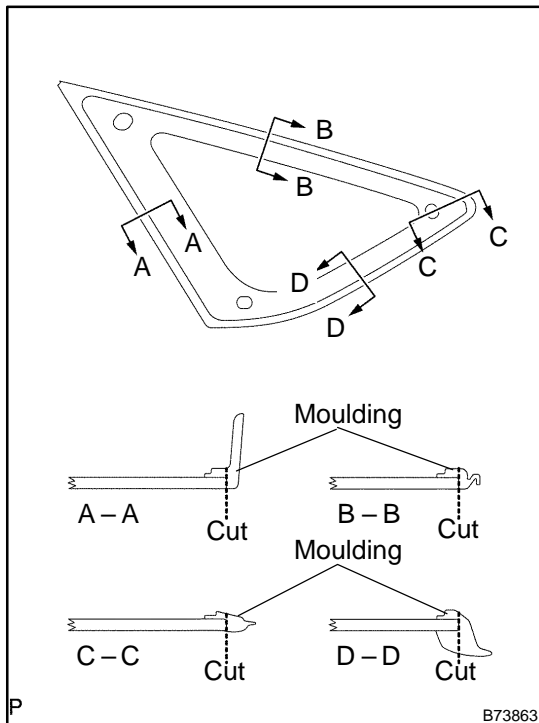
REPLACEMENT

HINT:

- The installation procedures are the removal procedures in reverse order. However, only installation procedures requiring additional information are included.
- Use the same procedures for the LH side and RH side.
- A bolt without a torque specification is shown in the standard bolt chart (see page 03-2).
- The procedures listed below are for the LH side.

1. REMOVE ROOF SIDE GARNISH ASSY INNER (See page 76-28)

- Remove the rear door opening trim weatherstrip.
- Remove the back door weatherstrip.
- Remove the tonneau cover.
- Remove the deck trim cover rear.
- Remove the rear floor board No. 2.
- Remove the rear floor board No. 4.
- Remove the rear floor board No. 3.
- Remove the rear floor board No. 1.
- Remove the deck floor box rear.
- Remove the deck floor box.
- Remove the deck trim side panel.
- Remove the roof side garnish inner.



2. REMOVE QUARTER WINDOW

- Using a knife, cut off the moulding, as shown in the illustration.

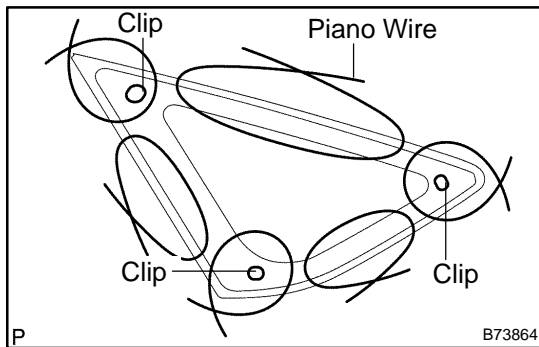
NOTICE:

Be careful not to damage the vehicle body with the knife.

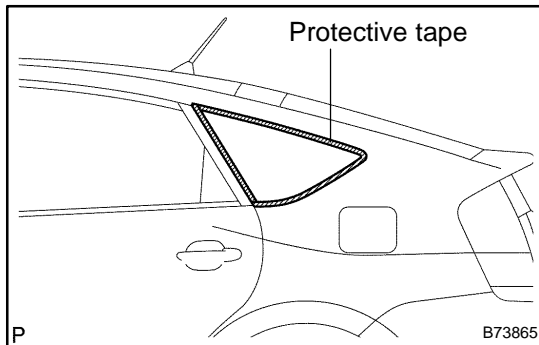
- Remove the remaining moulding.

HINT:

Make a partial cut in the moulding. Then pull and remove it by hand.



- (c) From the interior, insert piano wires between the vehicle body and glass, as shown in the illustration.
- (d) Tie objects that can serve as handles (for example, wooden blocks) to all wire ends.

**HINT:**

Apply protective tape to the outer surface of the vehicle body to prevent its surface from being scratched.

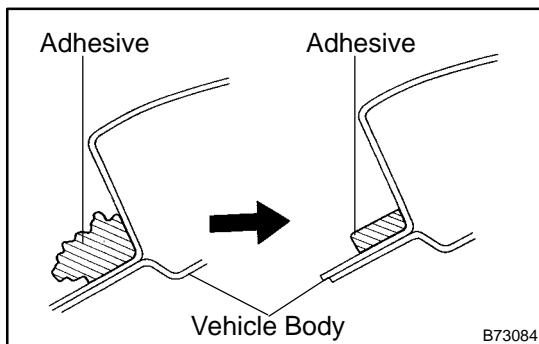
NOTICE:

When separating the glass from the vehicle, be careful not to damage the vehicle's paint or interior / exterior ornaments.

- (e) Cut through the adhesive by pulling the piano wire around the glass.
- (f) Using a suction cup, remove the glass.

NOTICE:

Leave as much adhesive on the vehicle body as possible when removing the glass.

**3. CLEAN VEHICLE BODY**

- (a) Clean and shape the contact surface of the vehicle body.
 - (1) Using a knife, cut away any rough adhesive on the contact surface of the vehicle body to ensure the appropriate surface shape.

NOTICE:

Be careful not to damage the vehicle body.

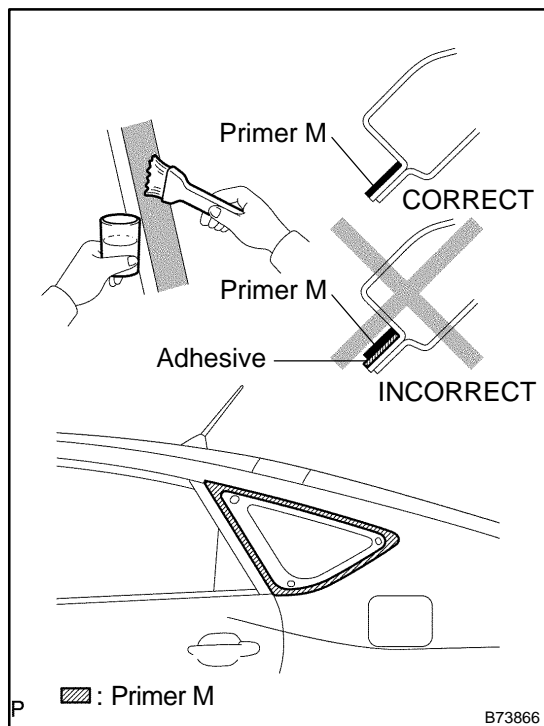
HINT:

Leave as much adhesive on the vehicle body as possible.

- (2) Clean the contact surface of the vehicle body with a piece of shop rag saturated with cleaner.

HINT:

Even if all the adhesive has been removed, clean the vehicle body.



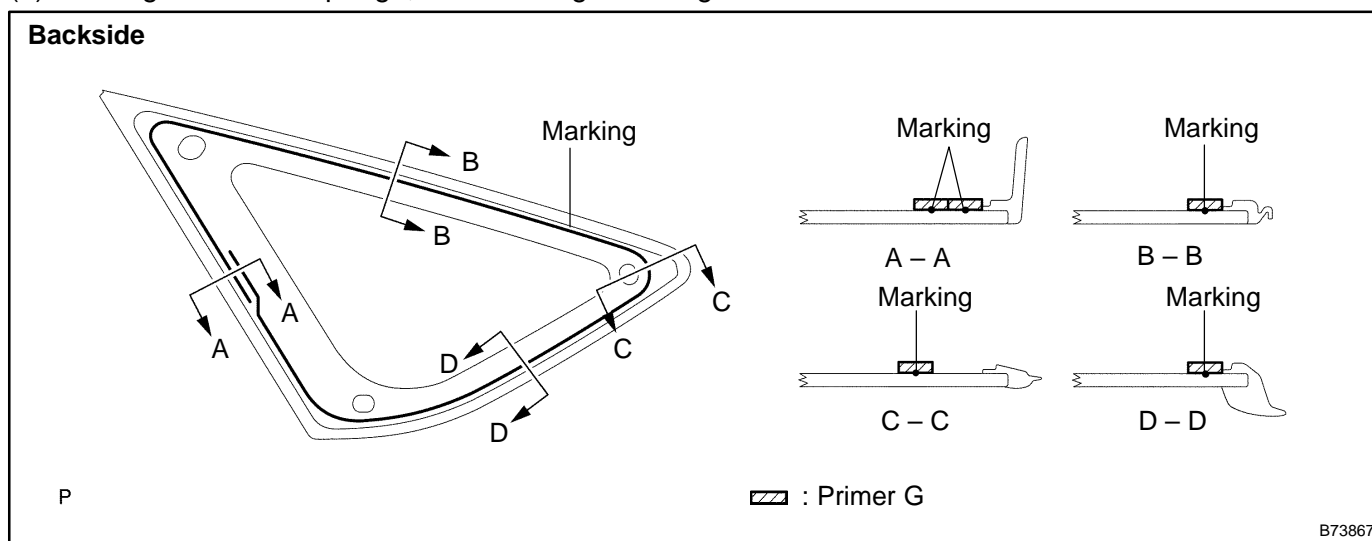
4. INSTALL QUARTER WINDOW

- (a) Using a brush, coat the exposed part of the vehicle body with Primer M.

NOTICE:

- Allow the primer coating to dry for 3 minutes or more.
- Do not coat the adhesive with Primer M.
- Throw away any leftover Primer M.
- Do not apply too much Primer M.

- (b) Using a brush or sponge, coat the edge of the glass and the contact surface with Primer G.



HINT:

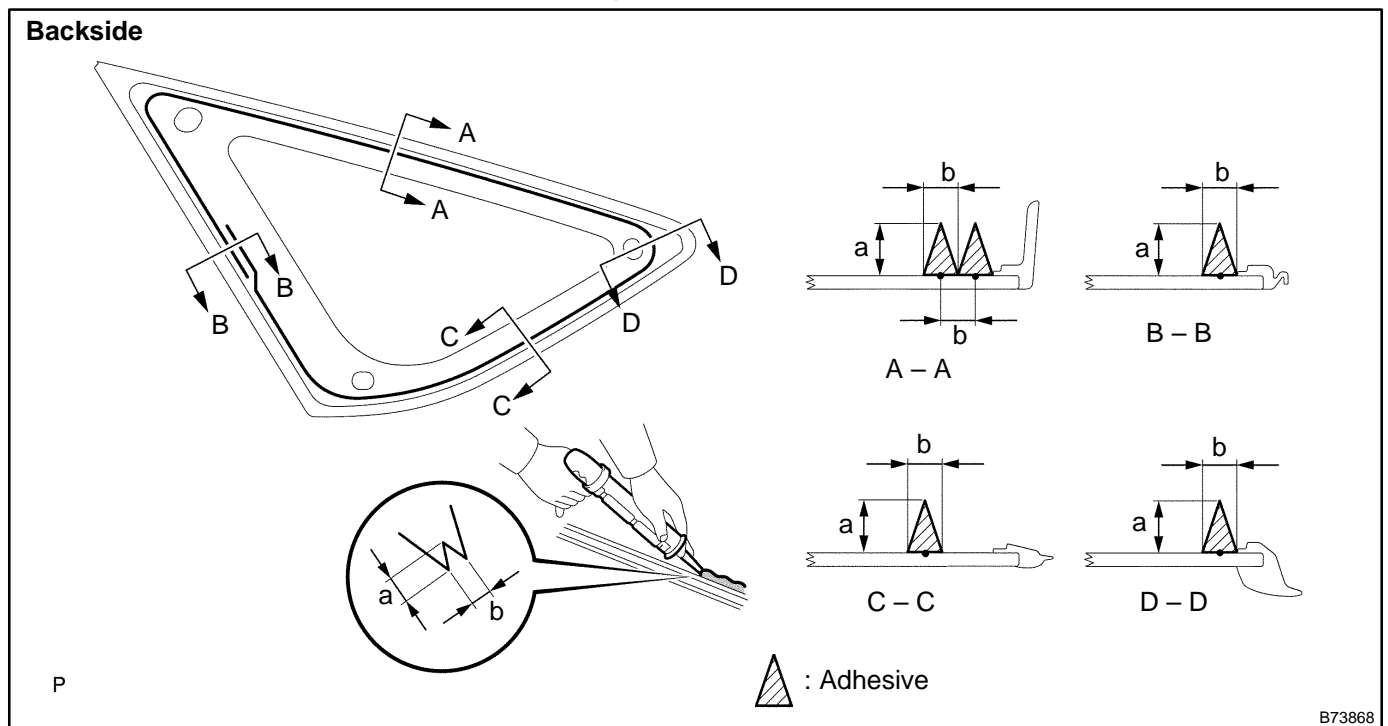
If an area other than that specified is coated by accident, wipe off the primer with a clean shop rag before it dries.

NOTICE:

- Allow the primer coating to dry for 3 minutes or more.
- Throw away any leftover Primer G.
- Do not apply too much Primer G.

(c) Apply adhesive.

Adhesive: Part No. 08850-00801 or equivalent



(1) Cut off the tip of the cartridge nozzle, as shown in the illustration.

HINT:

After cutting off the tip, use all adhesive within the time described in the table below.

Usage timeframe

Temperature	Usage Timeframe
35°C (95°F)	15 minutes
20°C (68°F)	1 hour 40 minutes
5°C (41°F)	8 hours

(2) Load the sealer gun with the cartridge.

(3) Coat the glass with adhesive, as shown in the illustration.

Specification:

Area	Measurement
a	12 mm (0.47 in.)
b	8 mm (0.31 in.)

(d) Install the quarter window glass to the vehicle body.

(1) Hold the quarter window glass in place securely with protective tape or equivalent until the adhesive hardens.

NOTICE:

- **Allow the primer coating to dry for 3 minutes or more.**
- **Check that the clips are attached to the vehicle body correctly.**
- **Check that the vehicle body and glass have a small gap between them.**

- (2) Lightly press the front surface of the glass to ensure that the glass is securely fit to the vehicle body.

NOTICE:

Do not drive the vehicle for the amount of time described in the table below.

Minimum time:

Temperature	Minimum time prior to driving vehicle
35°C (95°F)	1 hour 30 minutes
20°C (68°F)	5 hours
5°C (41°F)	24 hours

5. CHECK FOR LEAKS AND REPAIR

- (a) Conduct a leak test after the adhesive has completely hardened.
 (b) Seal any leaks with auto glass sealer.