

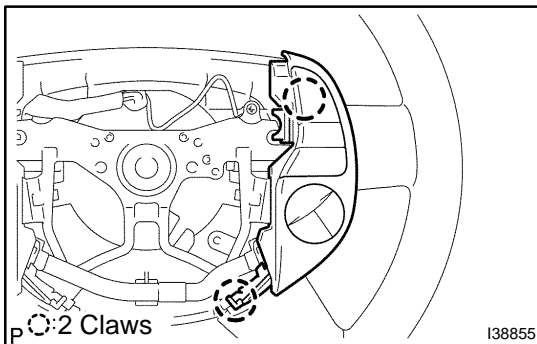
# STEERING PAD SWITCH RH

## REPLACEMENT

6716V-01

### HINT:

- COMPONENTS: See page 67-2
  - Installation is in the reverse order of removal.
1. **PRECAUTION (SEE PAGE 60-1)**
  2. **DISCONNECT BATTERY NEGATIVE TERMINAL (SEE PAGE 60-1)**
  3. **REMOVE STEERING WHEEL COVER LOWER NO.2 (SEE PAGE 50-8)**
  4. **REMOVE STEERING WHEEL COVER LOWER NO.3 (SEE PAGE 50-8)**
  5. **REMOVE HORN BUTTON ASSY (SEE PAGE 60-20)**



### 6. REMOVE STEERING PAD SWITCH RH

- (a) Disengage the 2 claws and pull out the steering pad switch RH.
- (b) Disconnect each connector and remove the steering pad switch RH.

7. **INSTALL HORN BUTTON ASSY (SEE PAGE 60-20)**
8. **CONNECT BATTERY NEGATIVE TERMINAL (SEE PAGE 19-2)**
9. **PERFORM INITIALIZATION (SEE PAGE 01-28)**
10. **INSPECT HORN BUTTON ASSY (SEE PAGE 60-14)**
11. **INSPECT SRS WARNING LIGHT (SEE PAGE 05-1384)**