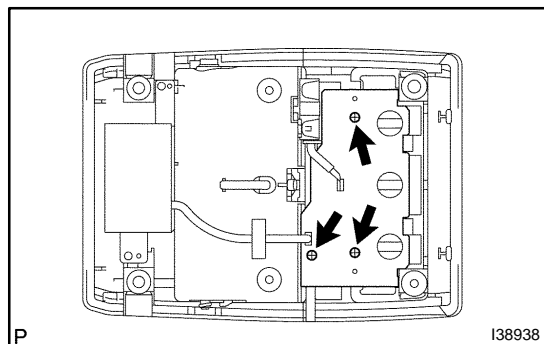


AMPLIFIER MICROPHONE ASSY REPLACEMENT

6716T-01

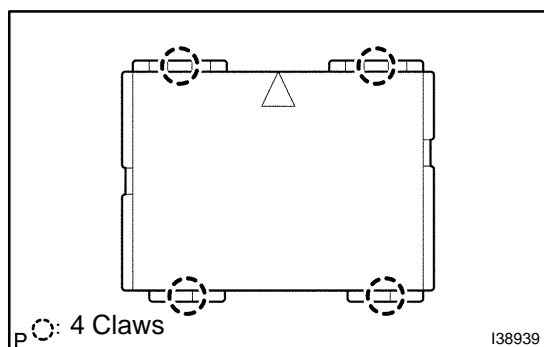
HINT:

- COMPONENTS: See page 67-2
 - Installation is in the reverse order of removal.
1. REMOVE MAP LAMP ASSY (SEE PAGE 76-28)

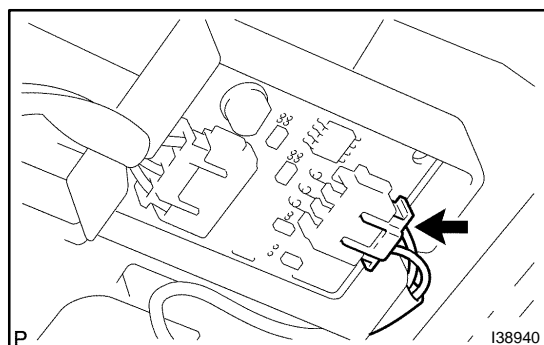


2. REMOVE AMPLIFIER MICROPHONE ASSY

- (a) Remove the 3 screws and print board.



- (b) Disengage the 4 claws and remove the microphone amplifier cover.



- (c) Disconnect the connector and remove the amplifier microphone.