

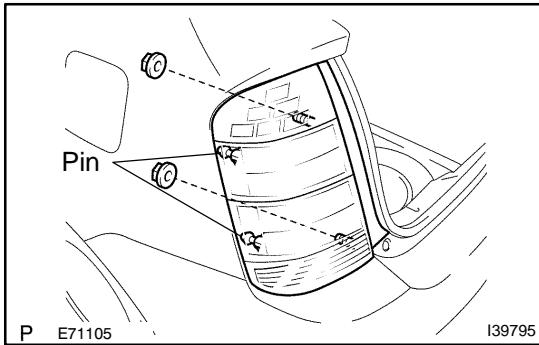
REAR COMBINATION LAMP ASSY OVERHAUL

65124-01

HINT:

Parts are shown for the LH side only. The LH and RH side are symmetrical.

1. REMOVE REAR COMBINATION LAMP SERVICE COVER LH



2. REMOVE REAR COMBINATION LAMP ASSY

- (a) Remove the 2 nuts.
- (b) Slide the 2 pins towards the back of the vehicle to remove them.
- (c) Disconnect the connector and remove the rear combination lamp assy.
- (d) Remove all bulb sockets and the 3 rear combination lamp bulbs.