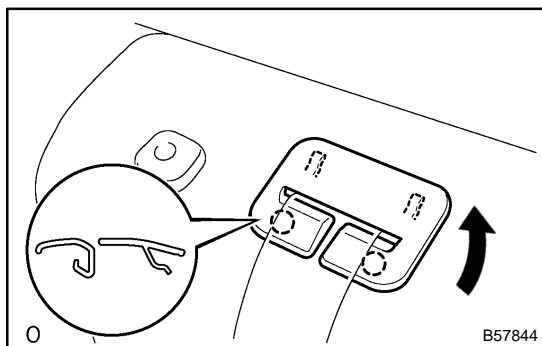


REPLACEMENT

HINT:

- The installation procedures are the removal procedures in reverse order. However, only installation procedures requiring additional information are included.
 - Use the same procedures for the RH side and LH side.
 - A bolt without a torque specification is shown in the standard bolt chart (see page 03-2).
 - CRS stands for "child restraint seat".
1. REMOVE REAR SEAT CUSHION ASSY (See page 72-9)
 2. REMOVE REAR DOOR SCUFF PLATE RH (See page 76-28)
 3. REMOVE REAR SIDE SEAT BACK FRAME RH (See page 76-28)
 4. REMOVE REAR DOOR OPENING TRIM WEATHERSTRIP RH (See page 76-28)
 5. REMOVE REAR SEATBACK ASSY RH (See page 72-9)
 6. REMOVE TONNEAU COVER ASSY (See page 76-28)
 7. REMOVE REAR FLOOR BOARD NO.2 (See page 76-28)
 8. REMOVE REAR FLOOR BOARD NO.1 (See page 76-28)
 9. REMOVE REAR FLOOR BOARD NO.4 (See page 76-28)
 10. REMOVE DECK FLOOR BOX LH (See page 76-28)
 11. REMOVE DECK FLOOR BOX REAR (See page 76-28)
 12. REMOVE DECK TRIM COVER REAR (See page 76-28)
 13. REMOVE DECK TRIM SIDE PANEL ASSY RH (See page 76-28)
 14. REMOVE ROOF SIDE GARNISH ASSY INNER RH (See page 76-28)
 15. REMOVE REAR SEAT OUTER BELT ASSY RH
 - (a) Remove the 2 bolts and seat belt.



16. REMOVE REAR SEAT OUTER BELT ASSY CENTER

- (a) Using a screwdriver, disengage the 4 claws and remove the cover.
- (b) Remove the 9 clips and turn over the seatback cover.
- (c) Remove the bolt and seat belt.

17. REMOVE REAR SEAT INNER BELT ASSY RH

- (a) Remove the bolt and seat belt.

18. REMOVE REAR SEAT INNER BELT ASSY CENTER

- (a) Remove the bolt and seat belt.

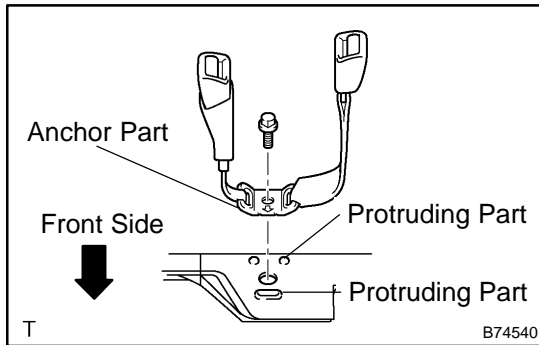
19. REMOVE CRS LOWER ANCHORAGE

- (a) Remove the 2 bolts and lower anchorage.

20. INSTALL CRS LOWER ANCHORAGE

- (a) Install the lower anchorage with the 2 bolts.

Torque: 31 N·m (316 kgf·cm, 23 ft·lbf)

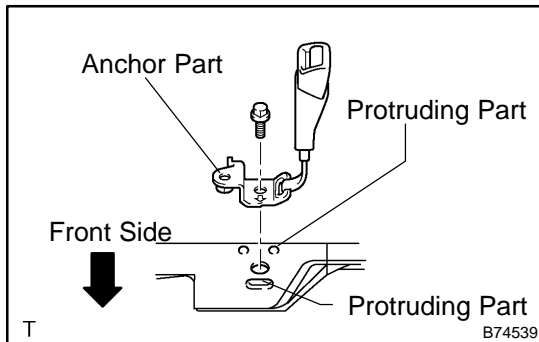
**21. INSTALL REAR SEAT INNER BELT ASSY CENTER**

- (a) Install the rear inner belt with the bolt, as shown in the illustration.

Torque: 42 N·m (430 kgf·cm, 31 ft·lbf)

NOTICE:

Do not allow the anchor part of the rear belt and the protruding parts of the floor panel to overlap.

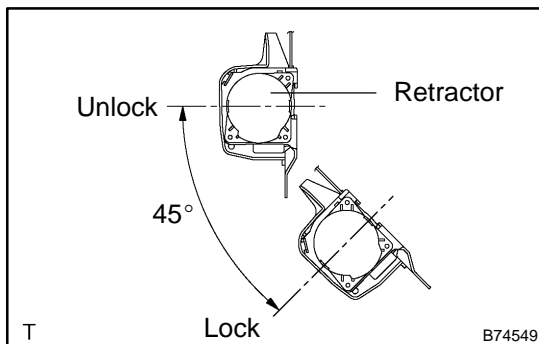
**22. INSTALL REAR SEAT INNER BELT ASSY RH**

- (a) Install the rear inner belt with the bolt, as shown in the illustration.

Torque: 42 N·m (430 kgf·cm, 31 ft·lbf)

NOTICE:

Do not allow the anchor part of the rear belt and the protruding parts of the floor panel to overlap.

**23. INSTALL REAR SEAT OUTER BELT ASSY CENTER**

- (a) Check the degree of tilt when the belt begins to lock the ELR.

NOTICE:

Do not disassemble the retractor.

- (1) When the inclination of the retractor is 15° or less, check that the belt can be pulled from the retractor. When the inclination of the retractor is over 45° check that the belt locks.

If operation is not as specified, replace the belt assy.

- (b) Install the seat belt with bolt.

Torque: 42 N·m (430 kgf·cm, 31 ft·lbf)

- (c) Install the seatback cover with the 9 clips.

- (d) Install the cover.

- (e) Install the floor anchor with the bolt.

Torque: 42 N·m (430 kgf·cm, 31 ft·lbf)

NOTICE:

Do not allow the anchor part of the rear belt and the protruding parts of the floor panel to overlap.

- (1) With the belt installed, check that the belt locks when it is pulled out quickly.

If operation is not as specified, replace the seat belt assy.

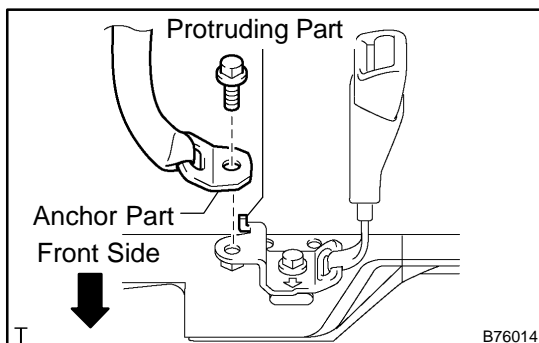
- (f) Check the ELR lock.

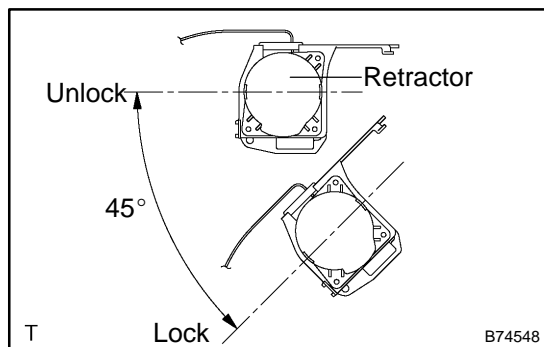
NOTICE:

The check should be performed with the assembly installed.

- (1) With the belt installed, check that the belt locks when it is pulled out quickly.

If operation is not as specified, replace the belt assy.





24. INSTALL REAR SEAT OUTER BELT ASSY RH

- (a) Check the degree of tilt when the belt begins to lock the ELR.

NOTICE:

Do not disassemble the retractor.

- (1) When the inclination of the retractor is 15° or less, check that the belt can be pulled from the retractor. When the inclination of the retractor is over 45° check that the belt locks.

If operation is not as specified, replace the belt assy.

- (b) Install the rear inner belt with the 2 bolts.

Torque: 42 N·m (430 kgf·cm, 31 ft·lbf)

NOTICE:

Do not allow the anchor part of the rear belt and the protruding parts of the floor panel to overlap.

- (1) With the belt installed, check that the belt locks when it is pulled out quickly.

If operation is not as specified, replace the seat belt assy.

- (c) Check the ELR lock.

NOTICE:

The check should be performed with the outer belt assy installed.

- (1) With the belt installed, check that the belt locks when it is pulled out quickly.

If operation is not as specified, replace the belt assy.

- (d) Check the fastening function of the child restraint system.

NOTICE:

The check should be performed with the outer belt assy installed.

- (1) When the belt is pulled out fully, the belt should automatically try to retract.
- (2) After the belt has fully retracted, the belt should be able to be pulled out and retracted again.

If operation is not as specified, replace the belt assy.

