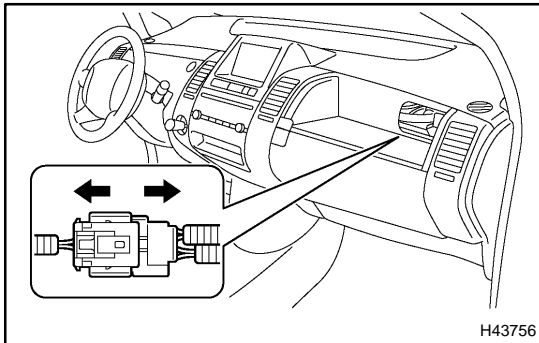


REPLACEMENT

HINT:

Installation is in the reverse order of removal.

1. **PRECAUTION (SEE PAGE 60-1)**
2. **DISCONNECT BATTERY NEGATIVE TERMINAL (SEE PAGE 60-1)**
3. **REMOVE GLOVE COMPARTMENT DOOR (SEE PAGE 71-7)**



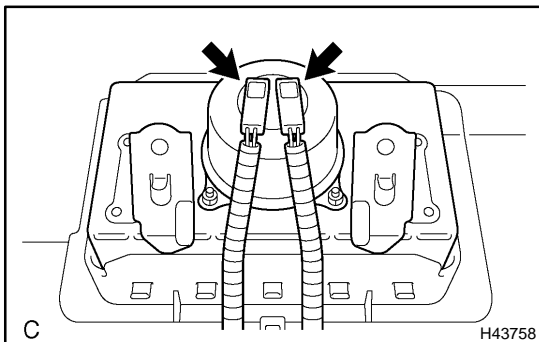
4. DISCONNECT FRONT PASSENGER AIRBAG ASSY CONNECTOR

- (a) Disconnect the connector.

NOTICE:

When handling the airbag connector, take care not to damage the airbag wire harness.

5. **REMOVE INSTRUMENT PANEL SUB-ASSY W/PASSENGER AIRBAG ASSY (SEE PAGE 71-7)**

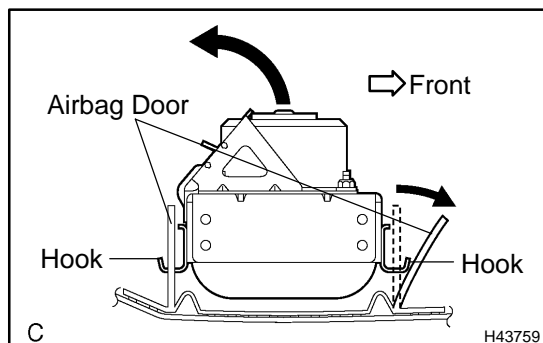


6. DISCONNECT INSTRUMENT PANEL WIRE ASSY

- (a) Disconnect the connectors from the front passenger airbag assy.

NOTICE:

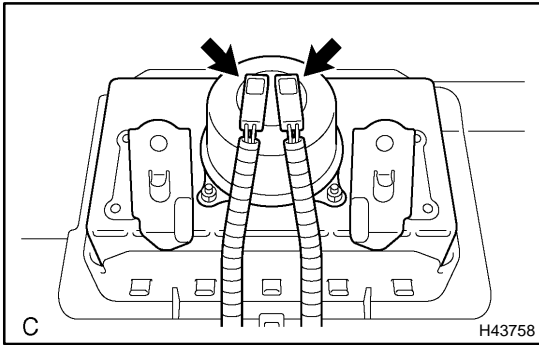
When handling the airbag connector, take care not to damage the airbag wire harness.



7. REMOVE FRONT PASSENGER AIRBAG ASSY

- (a) Release the front side wall of the airbag door from the hook by slightly deflecting it and roll the front passenger airbag assy rearward.
- (b) Release the rear side wall of the airbag door from the other hook and remove the front passenger airbag assy.

8. **INSPECT FRONT PASSENGER AIRBAG ASSY (SEE PAGE 60-14)**
9. **INSTALL FRONT PASSENGER AIRBAG ASSY**



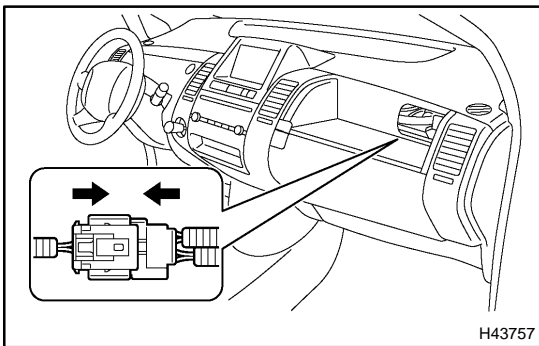
10. CONNECT INSTRUMENT PANEL WIRE ASSY

- (a) Connect the connectors to the front passenger airbag assy.

NOTICE:

When handling the airbag connector, take care not to damage the airbag wire harness.

11. INSTALL INSTRUMENT PANEL SUB-ASSY W/PASSENGER AIRBAG ASSY (SEE PAGE 71-7)



12. CONNECT FRONT PASSENGER AIRBAG ASSY CONNECTOR

- (a) Connect the connector.

NOTICE:

When handling the airbag connector, take care not to damage the airbag wire harness.

13. CONNECT BATTERY NEGATIVE TERMINAL

NOTICE:

When disconnecting the negative (-) battery terminal, initialize the following systems after the terminal is reconnected.

System Name	See Page
Power Window Control System	01-28

14. INSPECT SRS WARNING LIGHT (SEE PAGE [05-1397](#))