

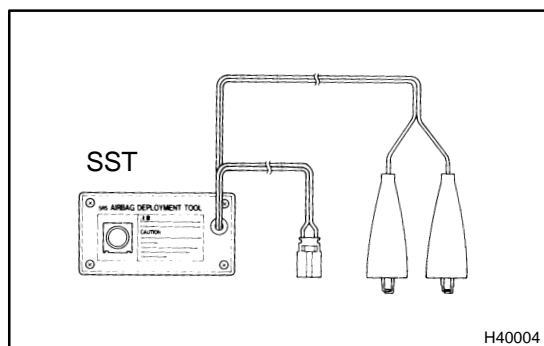
## DISPOSAL

### HINT:

When scrapping a vehicle equipped with the SRS or disposing of the front passenger airbag assy, be sure to deploy the airbag first in accordance with the procedure described below. If any abnormality occurs with the airbag deployment, contact the SERVICE DEPT. of TOYOTA MOTOR SALES, U.S.A., INC.

### CAUTION:

- Never dispose of a front passenger airbag assy that has an undeployed airbag.
- The airbag produces an exploding sound when it is deployed, so perform the operation outdoors and where it will not create a nuisance to nearby residents.

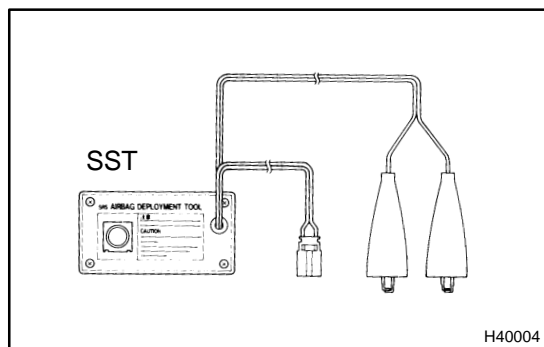


- When deploying the airbag, always use the specified SST (SRS Airbag Deployment Tool). Perform the operation in a place away from electrical noise.
- When deploying the airbag, perform the operation at least 10 m (33 ft) away from the front passenger airbag assy.
- The front passenger airbag assy becomes extremely hot when the airbag is deployed, so do not touch it for at least 30 minutes after deployment.
- Use gloves and safety glasses when handling a front passenger airbag assy with a deployed airbag.
- Do not apply water, etc. to a front passenger airbag assy with a deployed airbag.
- Always wash your hands with water after completing the operation.

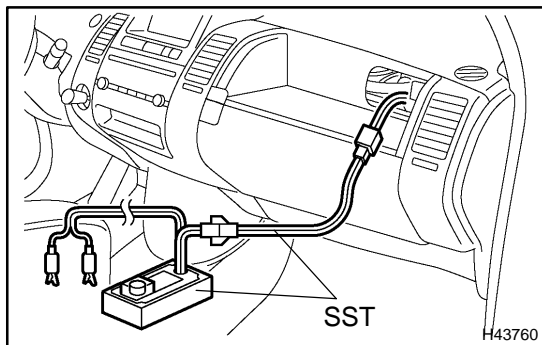
### 1. DISPOSE OF FRONT PASSENGER AIRBAG ASSY (WHEN INSTALLED IN VEHICLE)

#### HINT:

Prepare a battery as the power source to deploy the airbag.



- Check the function of the SST (see step 1-(a) on page 60-22).
- Precaution (see page 60-1).
- Disconnect the battery negative terminal (see page 60-1).
- Remove the glove compartment door (see page 71-7).



- (e) Install the SST.
- (1) Disconnect the connector from the front passenger airbag assy.

**NOTICE:**

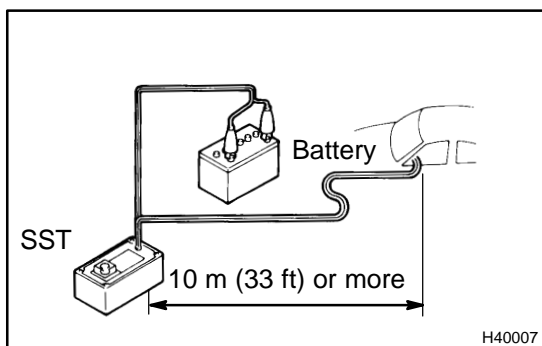
**When handling the airbag connector, take care not to damage the airbag wire harness.**

- (2) Connect the SST connector to the front passenger airbag assy.

SST 09082-00700, 09082-00780

**NOTICE:**

**To avoid damaging the SST connector and wire harness, do not lock the secondary lock of the twin lock.**



- (3) Move the SST at least 10 m (33 ft) away from the vehicle front side window.
- (4) Maintaining enough clearance for the SST wire harness in the front side window, close all doors and windows of the vehicle.

**NOTICE:**

**Take care not to damage the SST wire harness.**

- (5) Connect the red clip of the SST to the battery positive (+) terminal and the black clip of the SST to the negative (-) terminal.

- (f) Deploy the airbag.

- (1) Check that no one is inside the vehicle or within a 10 m (33 ft) radius of the vehicle.
- (2) Press the SST activation switch and deploy the airbag.

**CAUTION:**

- **When deploying the airbag, make sure that no one is near the vehicle.**
- **The front passenger airbag assy becomes extremely hot when the airbag is deployed, so do not touch it for at least 30 minutes after deployment.**
- **Use gloves and safety glasses when handling a front passenger airbag assy with a deployed airbag.**
- **Do not apply water, etc. to a front passenger airbag assy with a deployed airbag.**
- **Always wash your hands with water after completing the operation.**

**HINT:**

The airbag is deployed as the LED of the SST activation switch comes on.

## 2. DISPOSE OF FRONT PASSENGER AIRBAG ASSY (WHEN NOT INSTALLED IN VEHICLE)

### NOTICE:

- When disposing of the front passenger airbag assy, never use the customer's vehicle to deploy the airbag.
- Be sure to follow the procedure detailed below when deploying the airbag.

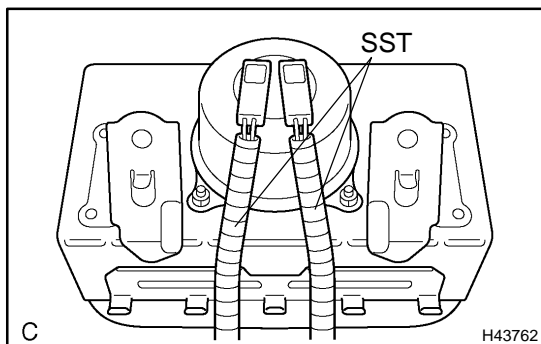
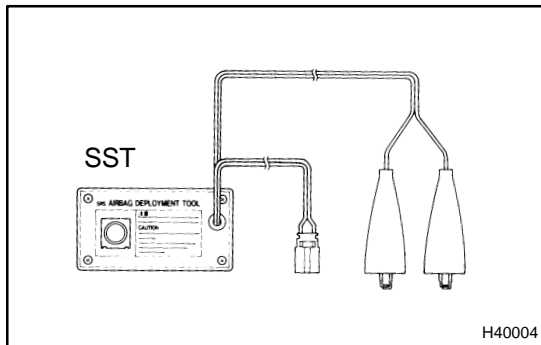
### HINT:

Prepare a battery as the power source to deploy the airbag.

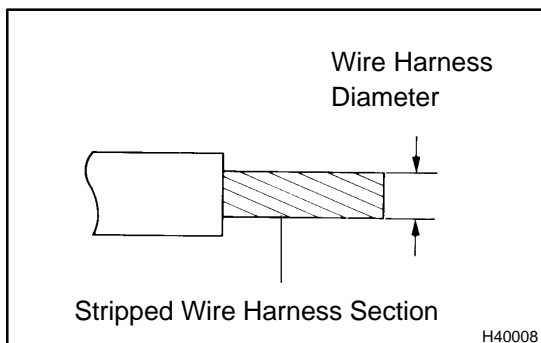
- Check the function of the SST (see step 1-(a) on page 60-22).
- Remove the front passenger airbag assy (see page 60-32).

### CAUTION:

- When removing the front passenger airbag assy, work must be started 90 seconds after the power switch is turned off and the negative (-) terminal cable is disconnected from the battery.
- When storing the front passenger airbag assy, keep the upper surface of the airbag deployment side facing upward.



- Install the SST.  
After connecting the SST below to each other, connect them to the front passenger airbag assy.  
SST 09082-00802 (09082-10801, 09082-30801)



- Using a service-purpose wire harness for the vehicle, tie down the front passenger airbag assy to the tire.  
**Wire harness: Stripped wire harness section 1.25 mm<sup>2</sup> or more (0.0019 in.<sup>2</sup> or more)**

### CAUTION:

If the wire harness is too thin or an alternative object is used to tie down the front passenger airbag assy, it may be snapped by the shock when the airbag is deployed. Always use a wire harness for vehicle use with an area of at least 1.25 mm<sup>2</sup> (0.0019 in<sup>2</sup>).

### HINT:

- To calculate the area of the stripped wire harness section:  
**Area = 3.14 x (Diameter)<sup>2</sup> divided by 4**

- (1) Position the front passenger airbag assy inside the tire as shown in the illustration.

**Tire size: Must exceed the following dimensions**

**Width: 185 mm (7.28 in.)**

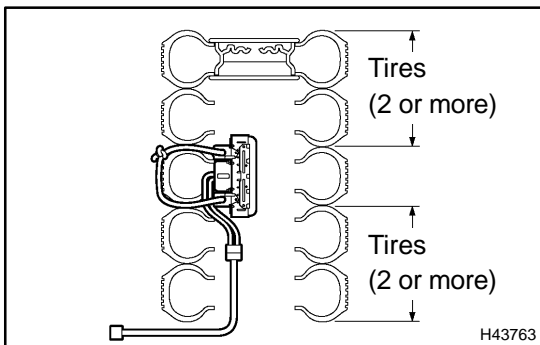
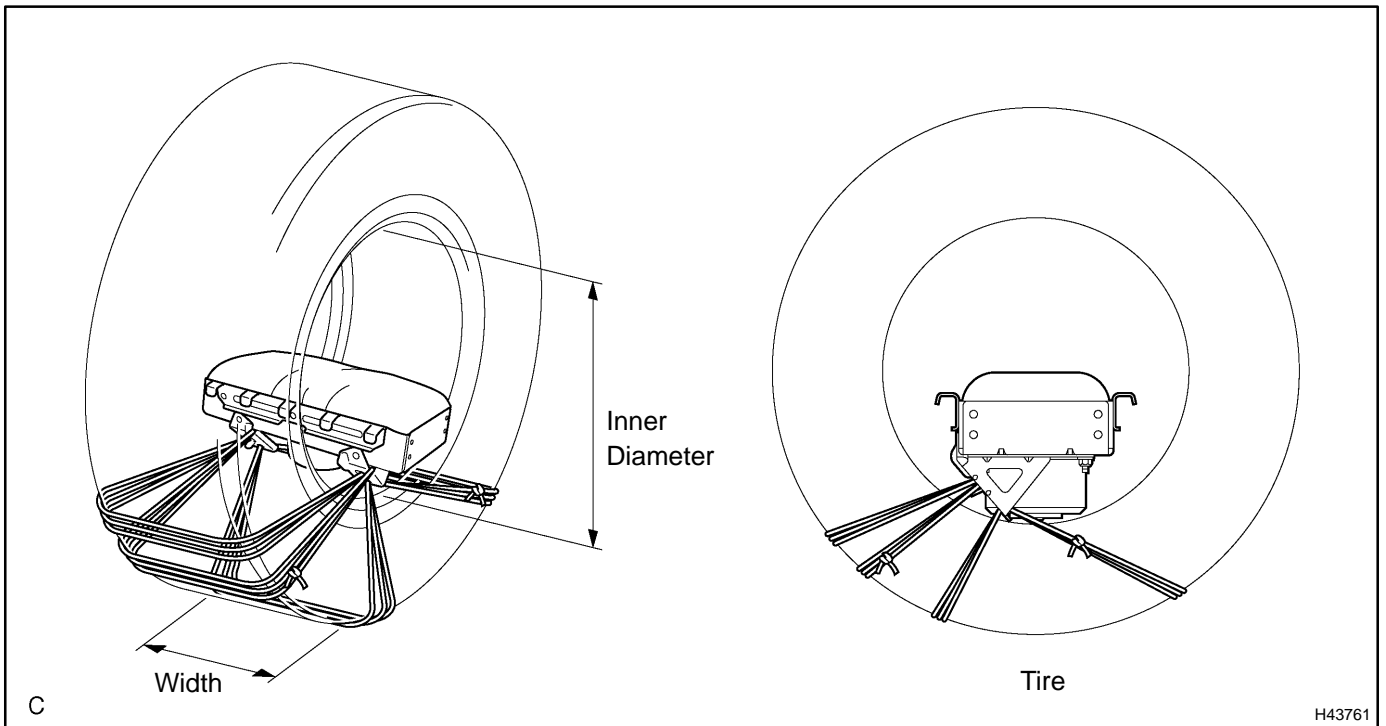
**Inner diameter: 360 mm (14.17 in.)**

**CAUTION:**

- Make sure that the wire harness is tight. If there is slack in wire harness, the front passenger airbag assy may become loose due to the shock when the airbag is deployed.
- Always tie down the front passenger airbag assy with the airbag deployment side facing inside the tire.

**NOTICE:**

The tire will be marked by the airbag deployment, so use an extra tire.

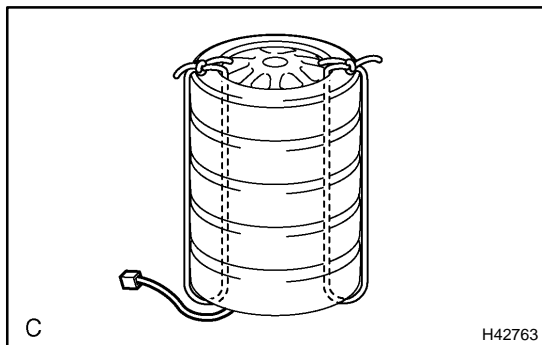


- (e) Place the tires.

- (1) Place at least 2 tires under the tire which the front passenger airbag assy is tied to.
- (2) Place at least 2 tires over the tire which the front passenger airbag assy is tied to. The top tire should have the disc wheel installed.

**NOTICE:**

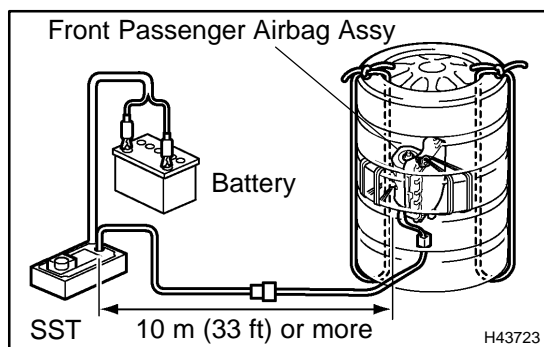
Do not place the SST connector under the tire because it could be damaged.



- (3) Tie the tires together with 2 wire harnesses.

**CAUTION:**

Make sure that the wire harness is tight. It is highly dangerous when looseness in the wire harness results in the tires coming free due to the shock when the airbag is deployed.



- (f) Install the SST.  
Connect the SST connector.  
SST 09082-00700

**NOTICE:**

To avoid damaging the SST connector and wire harness, do not lock the secondary lock of the twin lock. Also, secure some slack for the SST wire harness inside the tire.

- (g) Deploy the airbag.
- (1) Connect the red clip of the SST to the battery positive (+) terminal and the black clip of the SST to the battery negative (-) terminal.
  - (2) Check that no one is within a 10 m (33 ft) radius of the tire which the front passenger airbag assy is tied to.
  - (3) Press the SST activation switch and deploy the airbag.

**CAUTION:**

When deploying the airbag, make sure that no one is near the tire.

**HINT:**

The airbag is deployed as the LED of the SST activation switch comes on.



(h) Dispose of the front passenger airbag assy.

**CAUTION:**

- **The front passenger airbag assy becomes extremely hot when the airbag is deployed, so do not touch it for at least 30 minutes after deployment.**
- **Use gloves and safety glasses when handling a front passenger airbag assy with a deployed airbag.**
- **Do not apply water, etc. to a front passenger airbag assy with a deployed airbag.**
- **Always wash your hands with water after completing the operation.**
  - (1) Remove the front passenger airbag assy from the tire.
  - (2) Place the front passenger airbag assy in a plastic bag, tie it tightly and dispose of it as other general parts disposal.