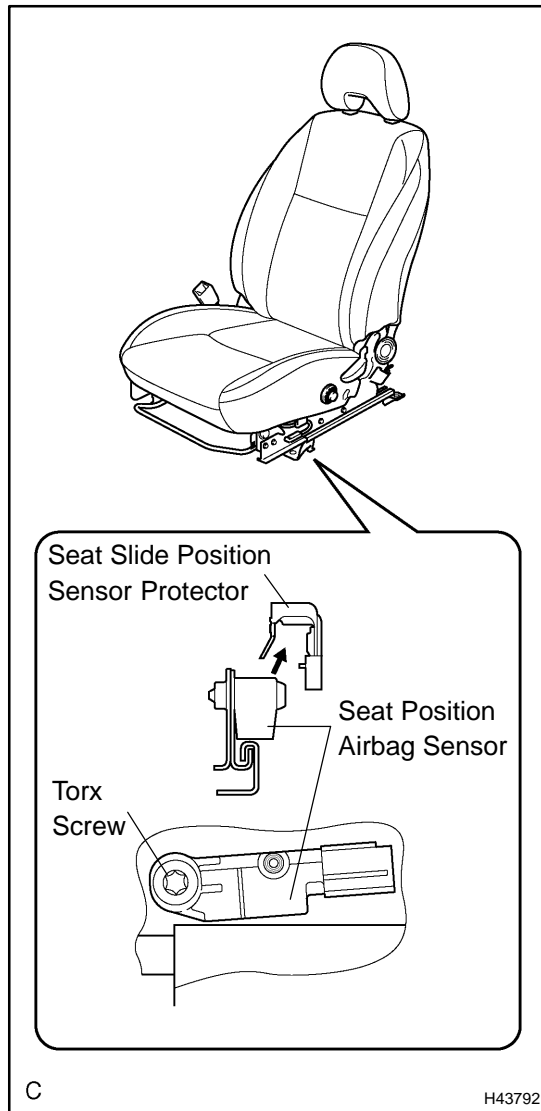


REPLACEMENT

1. PRECAUTION (SEE PAGE 60-1)
2. DISCONNECT BATTERY NEGATIVE TERMINAL (SEE PAGE 60-1)
3. REMOVE FRONT LH SEAT ASSY (SEE PAGE 72-2)
4. REMOVE FRONT SEAT CUSHION SHIELD LH (SEE PAGE 72-2)



5. REMOVE SEAT SLIDE POSITION SENSOR PROTECTOR

- (a) Remove the seat slide position sensor protector from the seat position airbag sensor.

6. REMOVE SEAT POSITION AIR BAG SENSOR

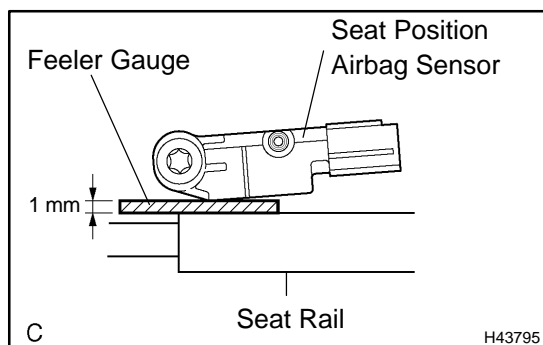
- (a) Disconnect the connector from the seat position airbag sensor.
- (b) Using a torx socket wrench (T30), remove the torx screw and the seat position airbag sensor.

7. INSTALL SEAT POSITION AIR BAG SENSOR

- (a) Check that the power switch is off.
- (b) Check that the battery negative (-) terminal is disconnected.

CAUTION:

After removing the terminal, wait for at least 90 seconds before starting the operation.



- (c) Using a feeler gauge 1 mm (0.039 in.), install the seat position airbag sensor.

NOTICE:

- If the seat position airbag sensor has been dropped, or there are any cracks, dents or other defects in the case, bracket or connector, replace the seat position airbag sensor with a new one.
- When installing the seat position airbag sensor, be careful that the SRS wiring does not interfere with other parts and that it is not pinched between other parts.

HINT:

Be sure to maintain a clearance between the seat position airbag sensor and the seat rail is within 0.6 mm (0.023 in.) to 2 mm (0.079 in.).

- (d) Using a torx socket wrench (T30), tighten the torx screw to install the seat position airbag sensor.
Torque: 8.0 N·m (82 kgf·cm, 71 in.-lbf)
- (e) Make sure that a clearance between the seat position airbag sensor and the seat rail is within 0.6 mm (0.023 in.) to 2 mm (0.079 in.).
- (f) Check that there is no looseness in the installation parts of the seat position airbag sensor.
- (g) Connect the connector to the seat position airbag sensor.

8. INSTALL FRONT LH SEAT ASSY (SEE PAGE 72-2)**9. CONNECT BATTERY NEGATIVE TERMINAL****NOTICE:**

When disconnecting the negative (-) battery terminal, initialize the following systems after the terminal is reconnected.

System Name	See Page
Power Window Control System	01-28

10. INSPECT SRS WARNING LIGHT (SEE PAGE 05-1397)