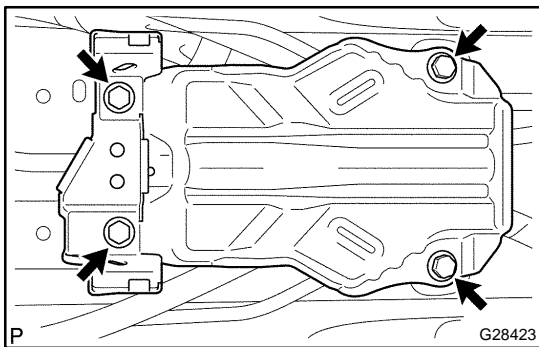


OVERHAUL

1. **DISCHARGE REFRIGERANT FROM REFRIGERATION SYSTEM (SEE PAGE 55-17)**
SST 07110-58060 (07117-58080, 07117-58090, 07117-78050, 07117-88060, 07117-88070, 07117-88080)
2. **DISCONNECT SUCTION HOSE SUB-ASSY (SEE PAGE 55-17)**
SST 09870-00015
3. **DISCONNECT COOLER REFRIGERANT LIQUID PIPE E (TO COOLER UNIT) (SEE PAGE 55-17)**
SST 09870-00025
4. **DISCONNECT HEATER WATER HOSE B (SEE PAGE 55-17)**
5. **DISCONNECT HEATER WATER HOSE A (SEE PAGE 55-17)**
6. **REMOVE REAR FLOOR BOARD NO.2 (SEE PAGE 21-116)**
7. **REMOVE DECK FLOOR BOX REAR (SEE PAGE 21-116)**
8. **REMOVE REAR FLOOR BOARD NO.3 (SEE PAGE 21-116)**
9. **DISCONNECT BATTERY NEGATIVE TERMINAL (SEE PAGE 60-1)**
10. **REMOVE INSTRUMENT PANEL REGISTER ASSY NO.1 (SEE PAGE 71-7)**
11. **REMOVE INSTRUMENT PANEL FINISH PANEL SUB-ASSY LOWER (SEE PAGE 71-7)**
12. **REMOVE INSTRUMENT PANEL FINISH PANEL SUB-ASSY UPPER (SEE PAGE 71-7)**
13. **REMOVE INSTRUMENT PANEL REGISTER ASSY NO.3 (SEE PAGE 71-7)**
14. **REMOVE INSTRUMENT PANEL REGISTER ASSY NO.4 (SEE PAGE 71-7)**
15. **REMOVE INSTRUMENT PANEL REGISTER ASSY NO.2 (SEE PAGE 71-7)**
16. **REMOVE MULTI-DISPLAY ASSY (SEE PAGE 71-7)**
17. **REMOVE GLOVE COMPARTMENT DOOR STOPPER SUB-ASSY (SEE PAGE 71-7)**
18. **REMOVE GLOVE COMPARTMENT DOOR ASSY (SEE PAGE 71-7)**
19. **REMOVE GLOVE COMPARTMENT DOOR (SEE PAGE 71-7)**
20. **REMOVE INSTR PANEL SPEAKER PANEL SUB-ASSY NO.1 W/CTR SPEAKER (SEE PAGE 71-7)**
21. **REMOVE FRONT PILLAR GARNISH CORNER PIECE LH (SEE PAGE 71-7)**
22. **REMOVE FRONT PILLAR GARNISH CORNER PIECE RH (SEE PAGE 71-7)**
23. **REMOVE FRONT PILLAR GARNISH LH (SEE PAGE 71-7)**
24. **REMOVE FRONT PILLAR GARNISH RH (SEE PAGE 71-7)**
25. **DISCONNECT PASSENGER AIRBAG CONNECTOR (SEE PAGE 71-7)**
26. **REMOVE INSTRUMENT PANEL SUB-ASSY W/PASSENGER AIRBAG ASSY (SEE PAGE 71-7)**
27. **REMOVE STEERING WHEEL COVER LOWER NO.2 (SEE PAGE 60-20)**
28. **REMOVE STEERING WHEEL COVER LOWER NO.3 (SEE PAGE 60-20)**
29. **REMOVE HORN BUTTON ASSY (SEE PAGE 60-20)**
30. **REMOVE STEERING WHEEL ASSY (SEE PAGE 50-8)**
SST 09950-50013 (09951-05010, 09952-05010, 09953-05020, 09954-05021)
31. **REMOVE TILT LEVER BRACKET (SEE PAGE 50-8)**
32. **REMOVE STEERING COLUMN COVER (SEE PAGE 50-8)**
33. **REMOVE TURN SIGNAL SWITCH ASSY W/SPIRAL CABLE SUB-ASSY (SEE PAGE 50-8)**
34. **REMOVE FRONT DOOR SCUFF PLATE LH (SEE PAGE 76-28)**
35. **REMOVE FRONT DOOR SCUFF PLATE RH (SEE PAGE 76-28)**
36. **REMOVE COWL SIDE TRIM BOARD LH (SEE PAGE 76-28)**
37. **REMOVE COWL SIDE TRIM BOARD RH (SEE PAGE 76-28)**
38. **REMOVE INSTRUMENT CLUSTER FINISH PANEL ASSY CENTER (SEE PAGE 71-13)**
39. **REMOVE RADIO RECEIVER ASSY W/STEREO OPENING COVER (SEE PAGE 71-13)**
40. **REMOVE INSTRUMENT PANEL FINISH PANEL LOWER CENTER (SEE PAGE 71-13)**

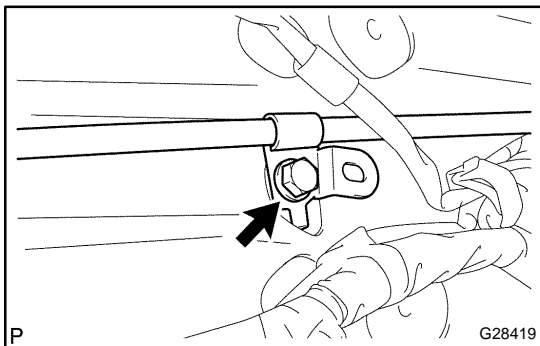
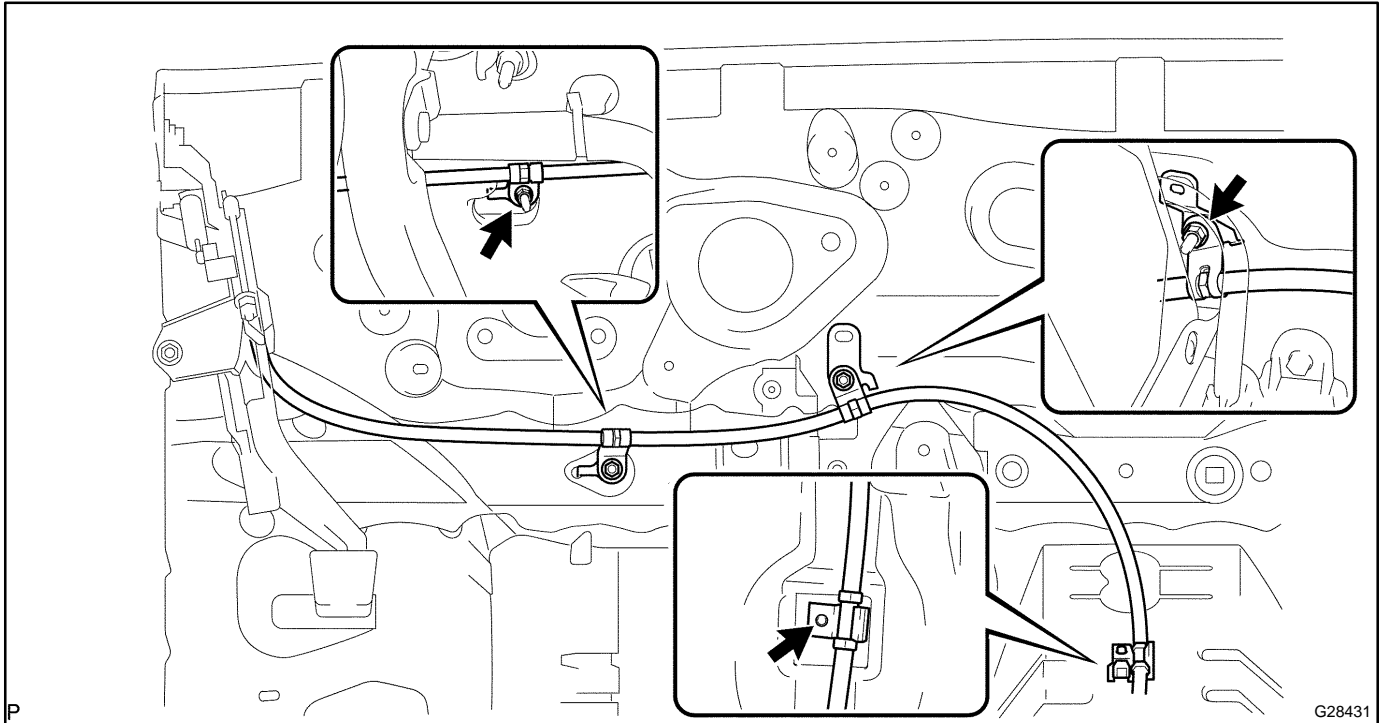
41. REMOVE GLOVE COMPARTMENT DOOR LOCK COVER (SEE PAGE 71-13)
42. REMOVE GLOVE COMPARTMENT DOOR LOCK ASSY (SEE PAGE 71-13)
43. REMOVE INSTRUMENT PANEL FINISH PANEL LOWER (SEE PAGE 71-13)
44. REMOVE INSTRUMENT PANEL UNDER COVER SUB-ASSY NO.1 (SEE PAGE 71-13)
45. REMOVE POWER STEERING ECU ASSY (SEE PAGE 50-16)
46. REMOVE SHIFT LEVER ASSY LWR (SEE PAGE 22-69)
47. REMOVE AIR DUCT REAR NO.3 (SEE PAGE 55-17)
48. REMOVE HEATER TO REGISTER DUCT NO.3 (SEE PAGE 55-17)
49. REMOVE HEATER TO REGISTER DUCT NO.1 (SEE PAGE 55-17)
50. REMOVE HEATER TO REGISTER DUCT NO.2 (SEE PAGE 55-17)
51. REMOVE DEFROSTER NOZZLE ASSY (SEE PAGE 55-17)
52. REMOVE TRANSMISSION CONTROL ECU ASSY
53. REMOVE ECM (SEE PAGE 10-24)
54. REMOVE NETWORK GATEWAY ECU (SEE PAGE 67-26)
55. REMOVE INSTRUMENT PANEL BRACE SUB-ASSY NO.1 (SEE PAGE 55-17)
56. REMOVE AIR CONDITIONING AMPLIFIER ASSY (SEE PAGE 55-47)
57. REMOVE STEERING COLUMN ASSY (SEE PAGE 50-8)
58. REMOVE INSTRUMENT PANEL REINFORCEMENT ASSY (SEE PAGE 55-17)
59. REMOVE FRONT SEAT ASSY LH (SEE PAGE 72-2)
60. REMOVE FRONT SEAT ASSY RH
61. REMOVE CONSOLE PANEL SUB-ASSY UPPER (SEE PAGE 71-17)
62. REMOVE CONSOLE BOX POCKET (SEE PAGE 71-17)
63. REMOVE CONSOLE BOX CARPET (SEE PAGE 71-17)
64. REMOVE CONSOLE BOX ASSY RR (SEE PAGE 71-17)
65. REMOVE FRONT FLOOR FOOTREST (SEE PAGE 50-8)
66. REMOVE AIR BAG ECU ASSY (SEE PAGE 60-54)
67. REMOVE YAWRATE SENSOR (W/ VSC) (SEE PAGE 32-70)



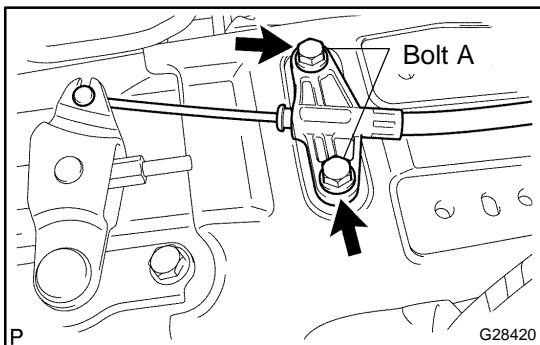
68. REMOVE CONSOLE BOX MOUNTING BRACKET NO.1
 - (a) Remove the 2 bolts and separate the console box mounting bracket No.1.
 - (b) Remove the 2 bolts and separate the front floor side reinforcement No.1.

69. REMOVE PARKING BRAKE CONTROL PEDAL ASSY

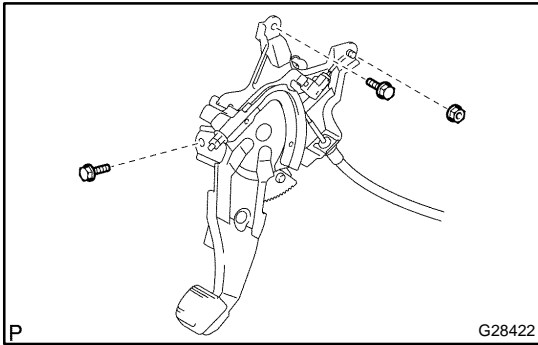
- (a) Release the parking brake.
- (b) Remove the 2 parking brake cable assy No.1 clamp nuts and parking brake front cable clamp.



- (c) Remove the clamp bolt from the parking brake cable assy No.1.



- (d) Disconnect the parking brake cable assy No.1 from the parking brake intermediate lever sub-assy.
- (e) Remove the 2 bolts A as shown in the illustration and separate the parking brake cable assy No.1 from the floor.
- (f) Disconnect the connector from the parking brake switch assy connector and remove the harness clamp from the pedal bracket.



- (g) Remove the 2 bolts and nut, and separate the parking brake pedal assy.

70. REMOVE PARKING BRAKE CABLE ASSY NO.1 (SEE PAGE 33-13)

71. REMOVE PARKING BRAKE SWITCH ASSY

- (a) Remove the screw and separate the parking brake switch assy.

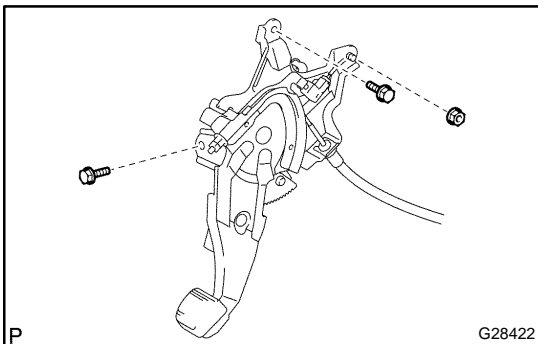
72. REMOVE PARKING PEDAL PAD

73. INSTALL PARKING PEDAL PAD

74. INSTALL PARKING BRAKE SWITCH ASSY

- (a) Install the parking brake switch assy with a screw.

75. INSTALL PARKING BRAKE CABLE ASSY NO.1 (SEE PAGE 33-13)

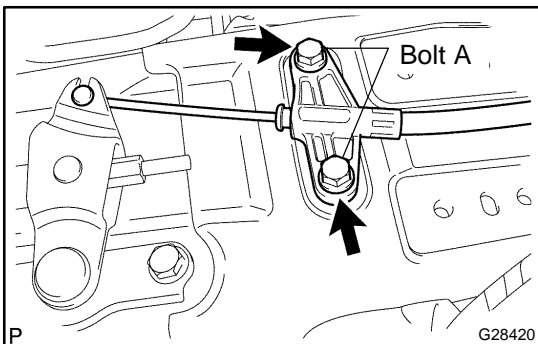


76. INSTALL PARKING BRAKE CONTROL PEDAL ASSY

- (a) Install the parking brake control pedal assy with 2 bolts and a nut.

Torque: 20 N·m (204 kgf·cm, 15 ft·lbf)

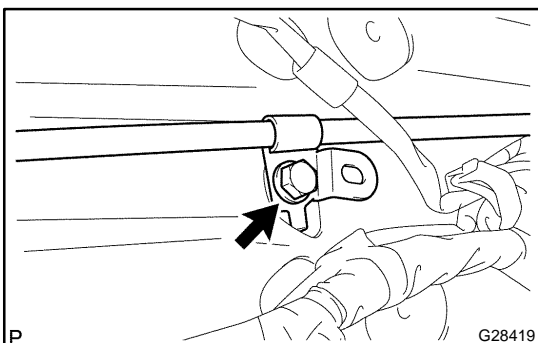
- (b) Connect the parking brake switch connector and install the harness clamp to the pedal bracket.



- (c) Connect the parking brake cable assy No.1 to the parking brake intermediate lever sub-assy.

- (d) Install the parking brake cable assy No.1 on the floor with 2 bolts A as shown in the illustration.

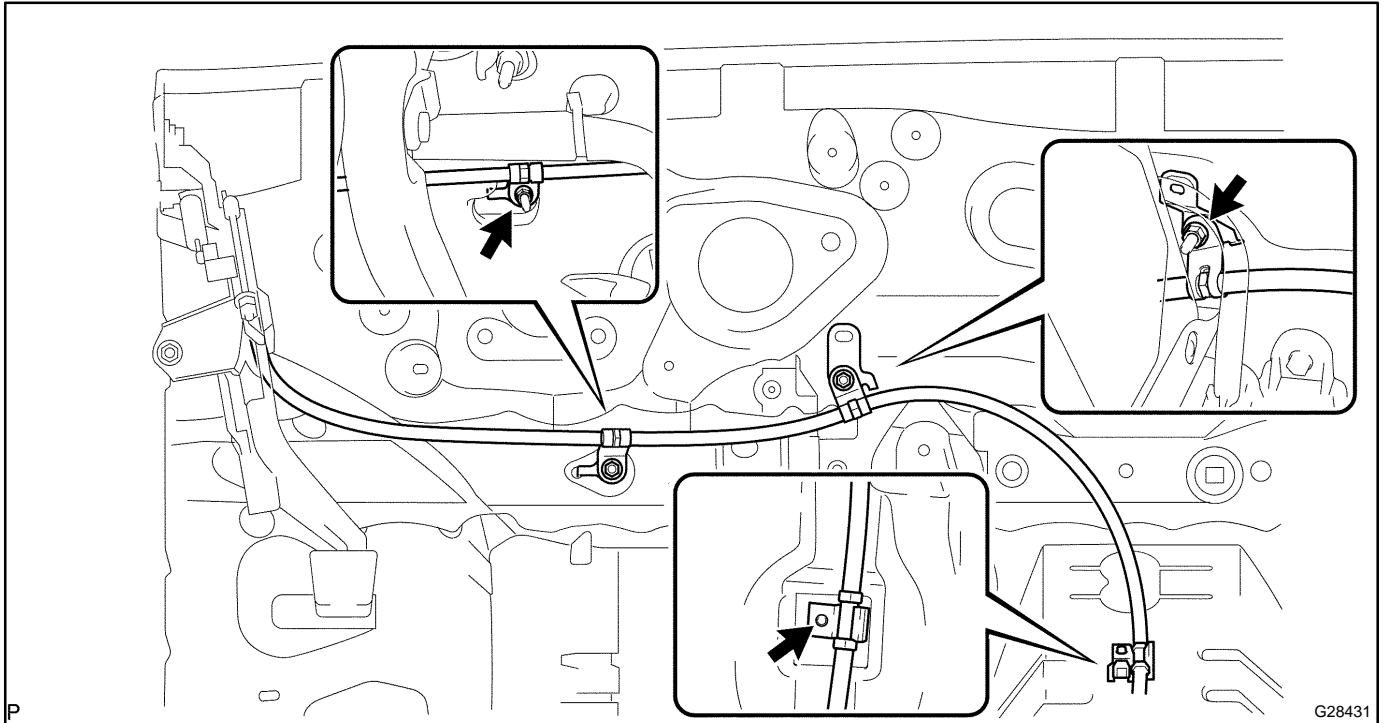
Torque: 14 N·m (143 kgf·cm, 10 ft·lbf)



- (e) Install the parking brake cable assy No.1 to the floor with the clamp bolt.

Torque: 14 N·m (143 kgf·cm, 10 ft·lbf)

- (f) Install the 2 parking brake cable assy No.1 clamp nuts and a new parking brake front cable clamp.
Torque: 14 N·m (143 kgf·cm, 10 ft·lbf)



77. INSTALL CONSOLE BOX MOUNTING BRACKET NO.1

- (a) Install the front floor side reinforcement No.1 with 2 bolts.
(b) Install the console box mounting bracket No.1 with 2 bolts.

78. INSTALL YAWRATE SENSOR (W/ VSC) (SEE PAGE 32-70)

79. INSTALL AIR BAG ECU ASSY (SEE PAGE 60-54)

80. INSTALL FRONT FLOOR FOOTREST (SEE PAGE 50-8)

81. INSTALL FRONT SEAT ASSY LH (SEE PAGE 72-2)

82. INSTALL FRONT SEAT ASSY RH

83. INSTALL INSTRUMENT PANEL REINFORCEMENT ASSY (SEE PAGE 55-17)

84. INSTALL INSTRUMENT PANEL BRACE SUB-ASSY NO.1 (SEE PAGE 55-17)

85. FULLY TIGHTEN AIR CONDITIONER UNIT ASSY (SEE PAGE 55-17)

86. INSTALL STEERING COLUMN ASSY (SEE PAGE 50-8)

87. INSTALL INSTRUMENT PANEL SUB-ASSY LOWER (SEE PAGE 71-13)

88. INSTALL SHIFT LEVER ASSY LWR (SEE PAGE 22-69)

89. INSTALL POWER STEERING ECU ASSY (SEE PAGE 50-16)

**90. INSTALL INSTRUMENT PANEL SUB-ASSY W/PASSENGER AIRBAG ASSY
(SEE PAGE 71-7)**

91. INSTALL COOLER REFRIGERANT LIQUID PIPE E (TO COOLER UNIT) (SEE PAGE 55-17)

92. INSTALL SUCTION HOSE SUB-ASSY (SEE PAGE 55-17)

93. INSPECT LEAKAGE OF REFRIGERANT (SEE PAGE 55-17)

94. ADJUST SPIRAL CABLE SUB-ASSY (SEE PAGE 60-29)

95. INSTALL STEERING COLUMN COVER (SEE PAGE 50-8)

96. INSTALL TILT LEVER BRACKET (SEE PAGE 50-8)

97. INSTALL STEERING WHEEL ASSY (SEE PAGE 50-8)

98. INSTALL HORN BUTTON ASSY (SEE PAGE 60-20)

99. INSPECT HORN BUTTON ASSY (SEE PAGE [60-20](#))
100. CONNECT BATTERY NEGATIVE TERMINAL (SEE PAGE [19-2](#))
101. INSTALL REAR FLOOR BOARD NO.3
102. INSTALL DECK FLOOR BOX REAR
103. INSTALL REAR FLOOR BOARD NO.2
104. ADD ENGINE COOLANT
105. CHARGE REFRIGERANT (SEE PAGE [55-17](#))
SST 07110-58060 (07117-58060, 07117-58070, 07117-58080, 07117-58090, 07117-78050,
07117-88060, 07117-88070, 07117-88080)
106. CHECK FOR ENGINE COOLANT LEAKS
107. WARM UP ENGINE
108. INSPECT AND ADJUST PARKING BRAKE PEDAL TRAVEL (SEE PAGE [33-2](#))
109. INSPECT SRS WARNING LIGHT (SEE PAGE [05-1397](#))
110. PERFORM CALIBRATION OF TORQUE SENSOR ZERO POINT (SEE PAGE [05-1211](#))
111. PERFORM INITIALIZATION (SEE PAGE [01-28](#))