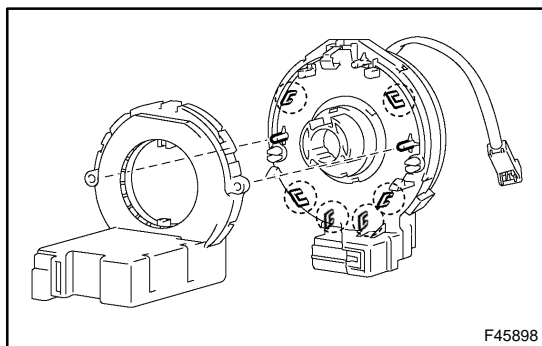


# STEERING SENSOR REPLACEMENT

32150-01

1. DISCONNECT BATTERY NEGATIVE TERMINAL (SEE PAGE 60-1)
2. REMOVE STEERING WHEEL COVER LOWER NO.2
3. REMOVE STEERING WHEEL COVER LOWER NO.3
4. REMOVE HORN BUTTON ASSY (SEE PAGE 60-20)
5. REMOVE STEERING WHEEL ASSY (SEE PAGE 50-8)  
SST 09950-50013 (09951-05010, 09952-05010, 09953-05020, 09954-05021)
6. REMOVE TILT LEVER BRACKET (SEE PAGE 50-8)
7. REMOVE STEERING COLUMN COVER (SEE PAGE 50-8)
8. REMOVE SPIRAL CABLE SUB-ASSY (SEE PAGE 60-29)
9. REMOVE STEERING SENSOR
  - (a) Unclamp the 6 claws and remove the steering sensor from the spiral cable.



## 10. INSTALL STEERING SENSOR

- (a) Aligning the 2 locating pins as shown in the illustration, engage the 6 claws and install the steering sensor to the spiral cable.

11. INSPECT SPIRAL CABLE SUB-ASSY (SEE PAGE 60-29)
12. PLACE FRONT WHEELS FACING STRAIGHT AHEAD
13. INSTALL SPIRAL CABLE SUB-ASSY (SEE PAGE 60-29)
14. CENTER SPIRAL CABLE (SEE PAGE 60-29)
15. INSTALL STEERING COLUMN COVER (SEE PAGE 50-8)
16. INSTALL TILT LEVER BRACKET (SEE PAGE 50-8)
17. INSTALL STEERING WHEEL ASSY (SEE PAGE 50-8)
18. INSTALL HORN BUTTON ASSY (SEE PAGE 60-20)
19. INSPECT HORN BUTTON ASSY (SEE PAGE 60-14)
20. CONNECT BATTERY NEGATIVE TERMINAL
21. PERFORM INITIALIZATION (SEE PAGE 01-5)
22. INSPECT SRS WARNING LIGHT (SEE PAGE 05-1405)