

# FRONT AXLE LH HUB BOLT REPLACEMENT

300NZ-01

HINT:

Refer to components: See page 30-20

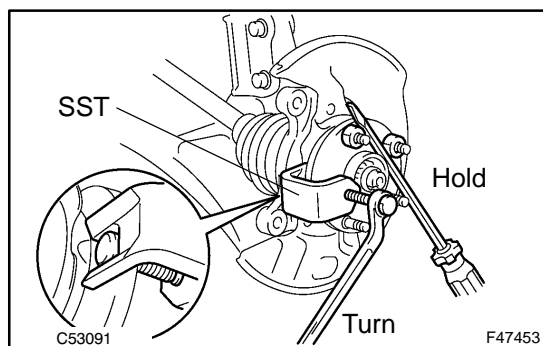
Use the same procedures for the RH side and LH side.

The procedures listed below are for the LH side.

1. **REMOVE FRONT WHEEL**
2. **SEPARATE FRONT DISC BRAKE CALIPER ASSY LH (SEE PAGE 30-7)**
3. **REMOVE FRONT DISC**

HINT:

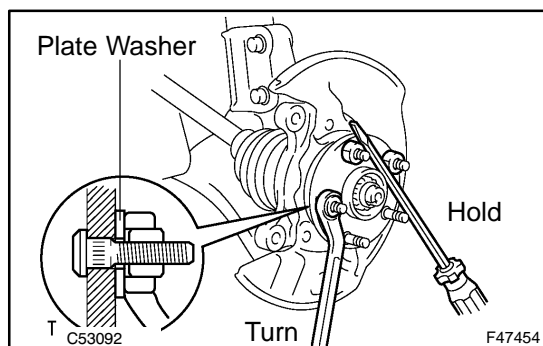
Put matchmarks on the front disc and front axle hub.



## 4. REMOVE FRONT AXLE LH HUB BOLT

- (a) Using SST, remove the front axle hub bolt LH from the front disc brake dust cover LH and steering knuckle cut out.

SST 09628-10011



## 5. INSTALL FRONT AXLE LH HUB BOLT

- (a) Pass a new front axle bolt through the front disc brake dust cover LH and steering knuckle cut out to the front axle hub LH.
- (b) Pass the plate washer as shown in the illustration through the front axle hub nut LH and install the front axle hub bolt LH while tightening the nut (M12 × P1.5 mm).

HINT:

A plate washer of 5 mm or more in thickness is preferable.

## 6. INSTALL FRONT DISC

HINT:

Align the matchmarks of the front disc and front axle hub before installing them.

7. **INSTALL FRONT DISC BRAKE CALIPER ASSY LH (SEE PAGE 30-7)**
8. **INSTALL FRONT WHEEL**  
Torque: 103 N·m (1,050 kgf·cm, 76 ft·lbf)