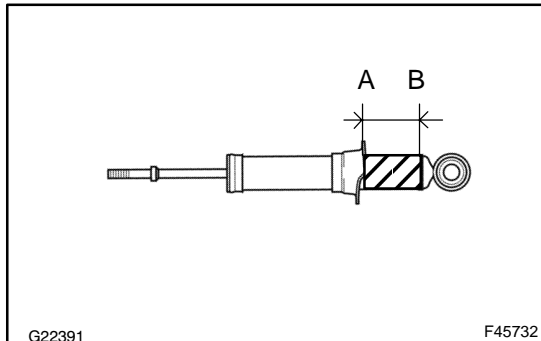


DISPOSAL



1. **DISPOSE OF SHOCK ABSORBER ASSY REAR LH**
 - (a) Fully extend the shock absorber rod.
 - (b) Make a hole in the cylinder somewhere between A and B as shown in the illustration to discharge the gas inside using a drill.

CAUTION:

- **Be careful when drilling because shards of metal may fly about, so always use the proper safety equipment.**
- **The gas is colorless, odorless and non-poisonous.**