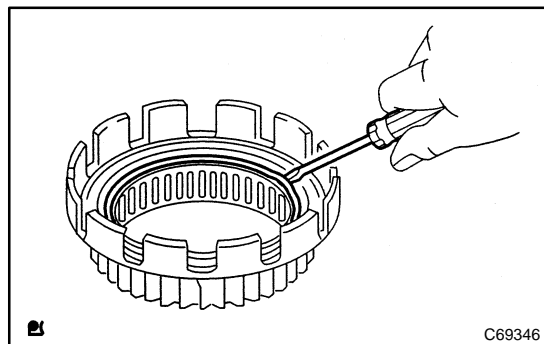
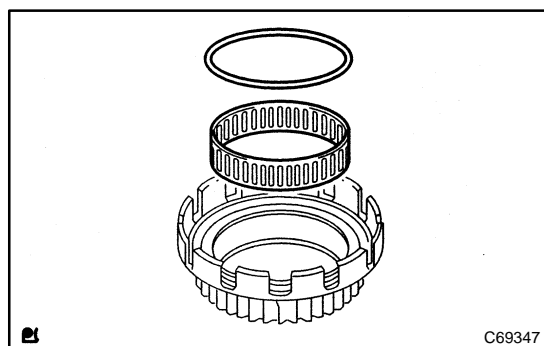


OVERHAUL

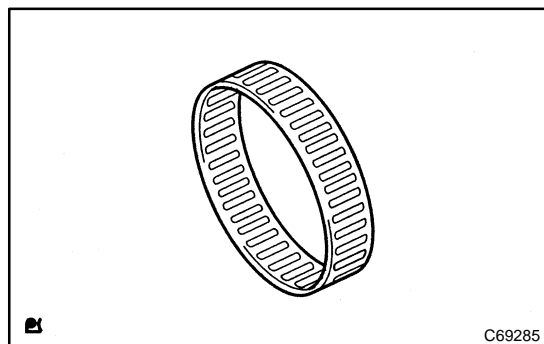


1. REMOVE TRANSMISSION DRIVE SPROCKET SUB-ASSY

- (a) Using a thin screwdriver, remove the snap ring from the transmission drive sprocket.



- (b) Remove the spacer and the needle roller bearing from the transmission drive sprocket.

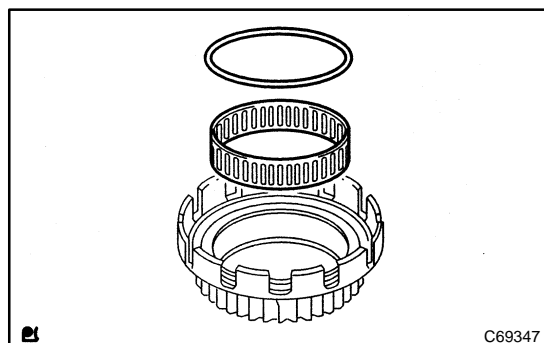


2. INSPECT DRIVE SPROCKET THRUST NEEDLE ROLLER NO.1 BEARING

- (a) Check the bearing for abnormal wear or color change.

HINT:

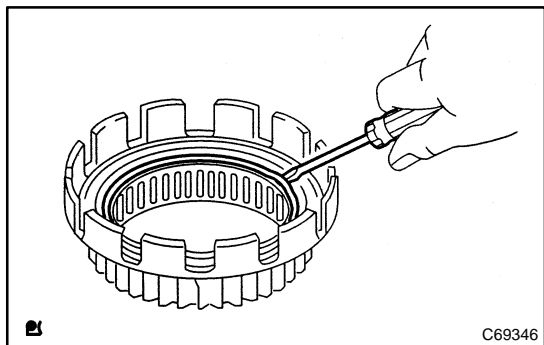
Replace the needle roller bearing with a new one if abnormal wear or color change is observed.



3. INSTALL TRANSMISSION DRIVE SPROCKET SUB-ASSY

- (a) Apply ATF WS to the sliding surfaces of the bearing and install the needle roller bearing to the transmission drive sprocket.

- (b) Install the spacer to the transmission drive sprocket.



- (c) Using a thin screwdriver, install the snap ring to the transmission drive sprocket.