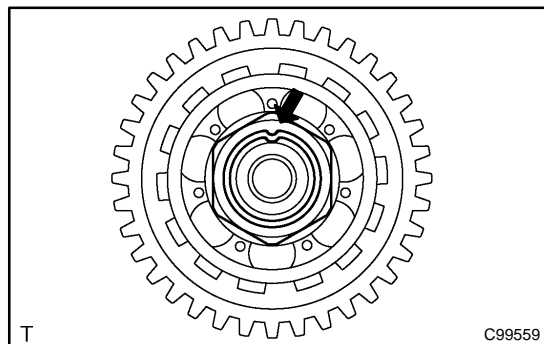
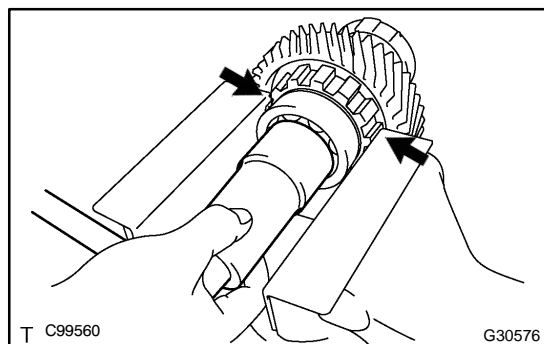


# OVERHAUL



## 1. REMOVE TAPERED ROLLER BEARING

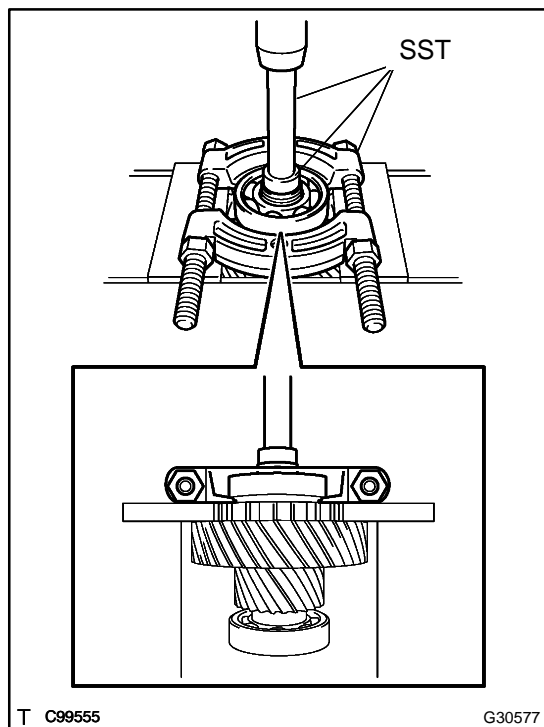
(a) Uncalk the nut.



(b) Set the differential drive pinion in a vise and remove the nut using a deep socket wrench.

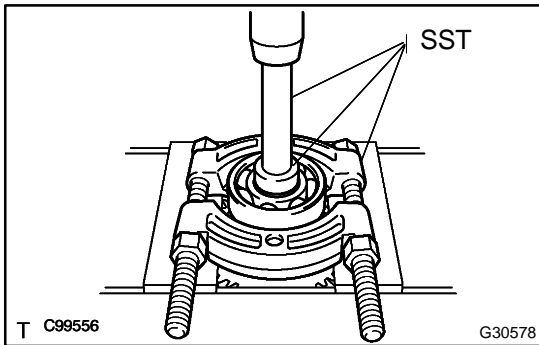
### HINT:

Set the vise as shown in the illustration.



(c) Using SST and a press, remove the bearing from the differential driver pinion.

SST 09527-10011, 09950-00020, 09950-60010  
(09951-00360), 09950-70010 (09951-07100)



- (d) Using SST and a press, remove the bearing from the differential drive pinion.

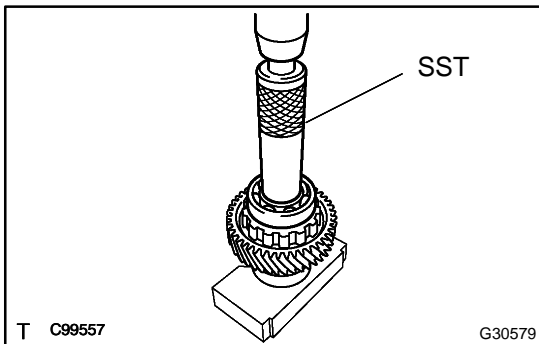
SST 09527-10011, 09950-00020, 09950-60010  
(09951-00360), 09950-70010 (09951-07100)

## 2. INSPECT TAPERED ROLLER BEARING

- (a) Check the bearing for abnormal wear or color change.

HINT:

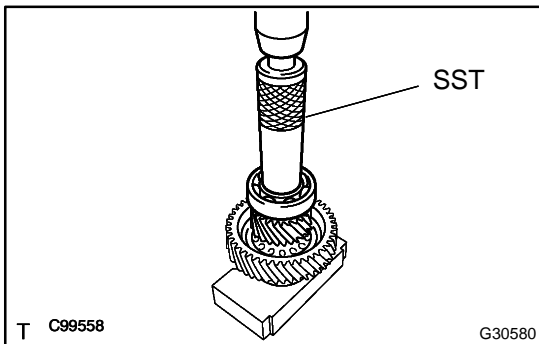
Replace the bearing with a new one if abnormal wear or color change is observed.



## 3. INSTALL TAPERED ROLLER BEARING

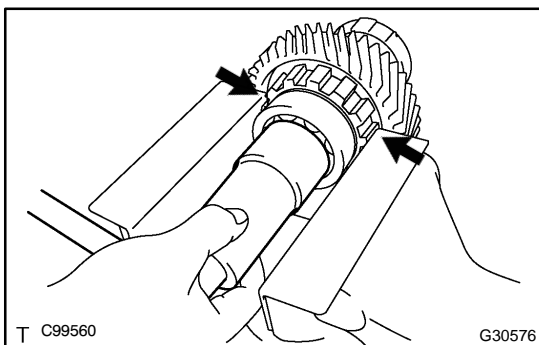
- (a) Using SST and a press, install the bearing into the differential drive pinion.

SST 09608-06041



- (b) Using SST and a press, install the bearing into the differential drive pinion.

SST 09608-06041, 09950-60010 (09951-00370)



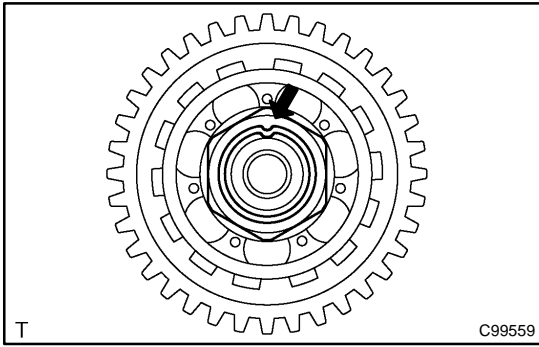
- (c) Set the differential drive pinion in a vise and tighten the nut using a deep socket wrench.

**Torque: 280 N·m (2,860 kgf·cm, 207 ft·lbf)**

HINT:

Set the vise as shown in the illustration.

HYBRID TRANSAXLE - DIFFERENTIAL DRIVE PINION



(d) Stake the nut.