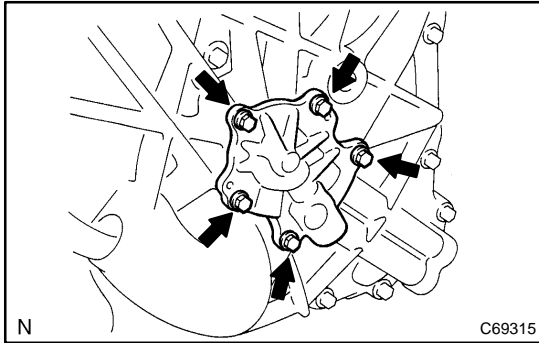


OIL PUMP DRIVE SHAFT REPLACEMENT

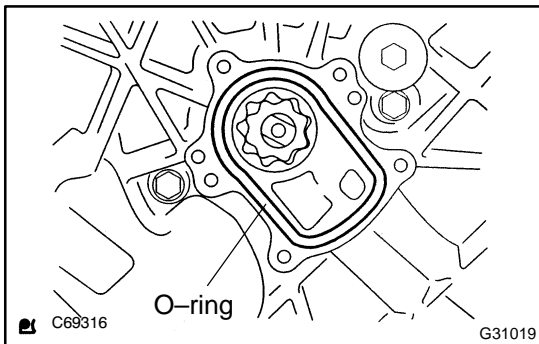
22014-01

1. REMOVE FRONT WHEEL LH
2. REMOVE ENGINE UNDER COVER LH
3. DRAIN TRANSAXLE OIL (SEE PAGE 22-1)

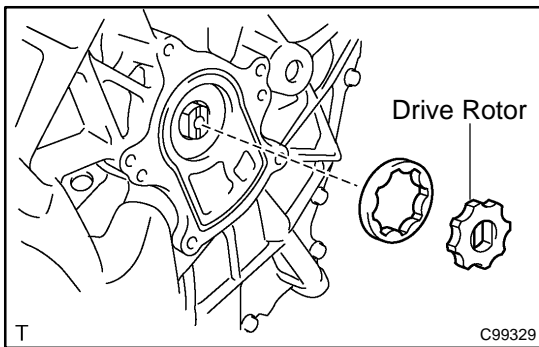


4. REMOVE TRANSMISSION OIL PUMP COVER SUB-ASSY

- (a) Remove the 5 bolts and oil pump cover.

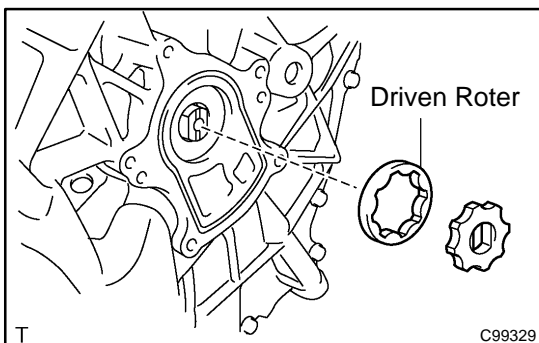


- (b) Remove the O-ring.



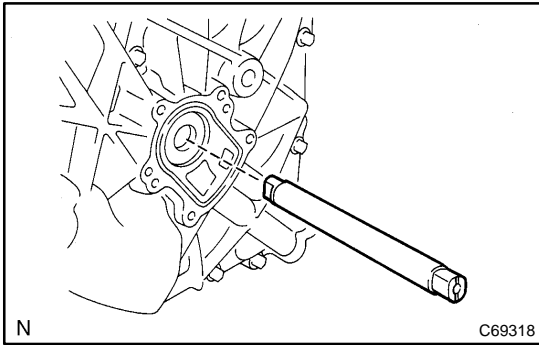
5. REMOVE TRANSDAXLE OIL PUMP DRIVE ROTOR

- (a) Remove the transaxle oil pump driver rotor from the hybrid vehicle transaxle.



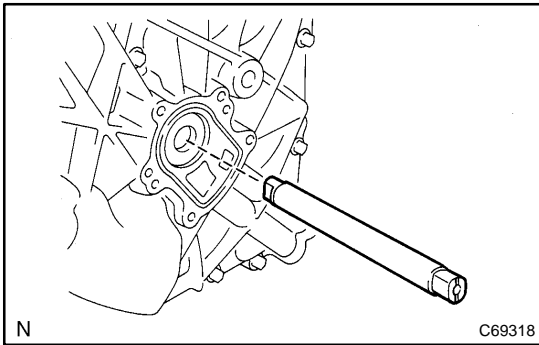
6. REMOVE OIL PUMP DRIVEN ROTOR

- (a) Remove the oil pump driven rotor from the hybrid vehicle transaxle.



7. REMOVE OIL PUMP DRIVE SHAFT

- (a) Remove the oil pump drive shaft from the hybrid vehicle transaxle.

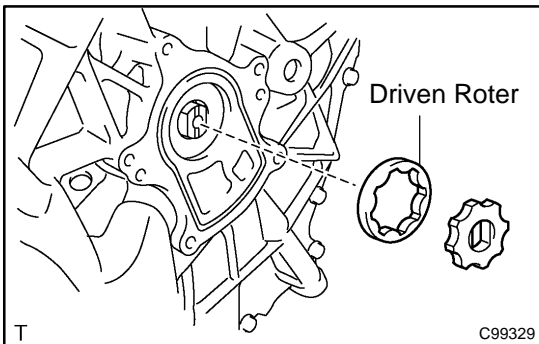


8. INSTALL OIL PUMP DRIVE SHAFT

- (a) Apply ATF WS to the oil pump drive shaft and install to the hybrid vehicle transaxle.

HINT:

Use genuine ATF WS.

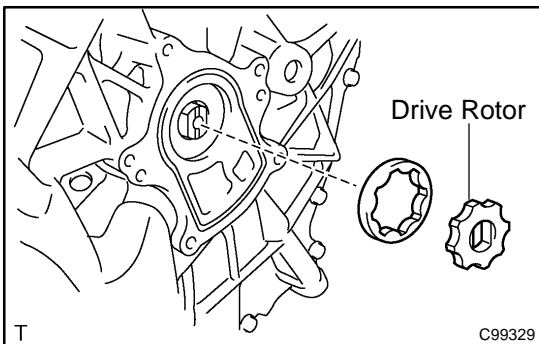


9. INSTALL OIL PUMP DRIVEN ROTOR

- (a) Apply ATF WS to the oil pump driven rotor and install to the hybrid vehicle transaxle.

HINT:

Use genuine ATF WS.

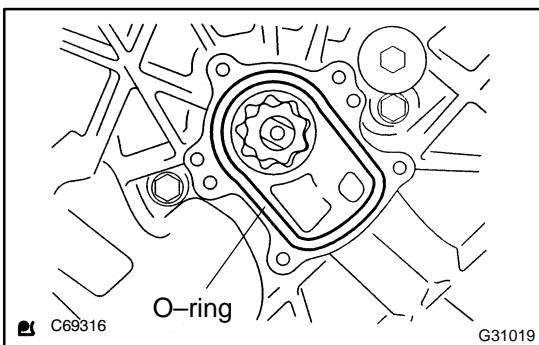


10. INSTALL TRANSAXLE OIL PUMP DRIVE ROTOR

- (a) Apply ATF WS to the oil pump drive rotor and install to the hybrid vehicle transaxle.

HINT:

Use genuine ATF WS.

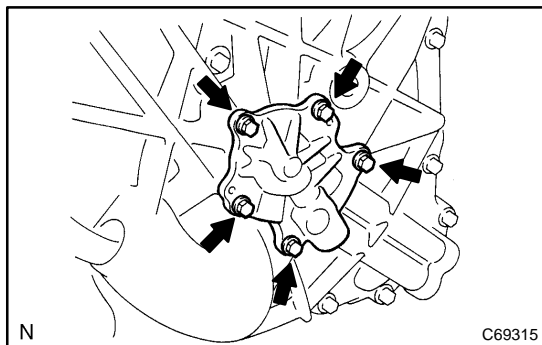


11. INSTALL TRANSMISSION OIL PUMP COVER SUB-ASSY

- (a) Install a new O-ring to the hybrid transaxle.

NOTICE:

Do not twist the O-ring when installing it.



- (b) Apply liquid sealant 1344 to the first 2 or 3 threads of the bolt end.

NOTICE:

Clean and degrease the bolts and bolt holes.

- (c) Install the oil pump cover with the 5 bolts.
Torque: 5.5 N·m (56 kgf·cm, 49 in·lbf)

12. **INSTALL FRONT WHEEL LH**
13. **ADD TRANSAXLE OIL**
Fluid type: **AUTO FLUID WS**
Capacity: **3.8 liters (4.0 US qts, 3.3 Imp. qts)**
14. **INSPECT TRANSAXLE OIL (SEE PAGE [22-1](#))**
15. **INSTALL ENGINE UNDER COVER LH**