

SYSTEM MAIN RELAY NO.1

2103T-01

REPLACEMENT

NOTICE:

- When working on the high voltage systems, always wear insulating gloves.
 - After removing the service plug grip, do not operate the power switch as it may damage the hybrid vehicle control ECU.
 - Keep the removed service plug in your pocket to prevent other technicians from reconnecting it while you are servicing the vehicle.
 - After removing the service plug grip, do not touch the high voltage connectors and terminals for 5 minutes.
1. PRECAUTION (See page 21-7)
 2. REMOVE REAR FLOOR BOARD NO.2 (See page 21-116)
 3. REMOVE DECK FLOOR BOX REAR (See page 21-116)
 4. REMOVE REAR FLOOR BOARD NO.3 (See page 21-116)
 5. DISCONNECT BATTERY NEGATIVE TERMINAL (See page 21-116)
 6. REMOVE SERVICE PLUG GRIP (See page 21-116)
 7. REMOVE DECK TRIM COVER REAR (See page 21-54)
 8. REMOVE TONNEAU COVER ASSY (See page 21-54)
 9. REMOVE REAR SEAT CUSHION ASSY (See page 21-54)
 10. REMOVE REAR FLOOR BOARD NO.1 (See page 21-54)
 11. REMOVE REAR SIDE SEAT BACK FRAME LH (See page 21-54)
 12. REMOVE REAR FLOOR BOARD NO.4 (See page 21-54)
 13. REMOVE DECK FLOOR BOX LH (See page 21-54)
 14. REMOVE DECK TRIM SIDE PANEL ASSY LH (See page 21-54)
 15. REMOVE BATTERY CARRIER BRACKET (See page 21-54)
 16. REMOVE BATTERY CARRIER PANEL NO.6 (See page 21-54)
 17. REMOVE JUNCTION TERMINAL (See page 21-54)

NOTICE:

Wear insulating gloves.

18. SEPARATE FRAME WIRE (See page 21-54)

NOTICE:

Wear insulating gloves.

19. REMOVE SYSTEM MAIN RELAY NO.2 (See page 21-87)

NOTICE:

Wear insulating gloves.

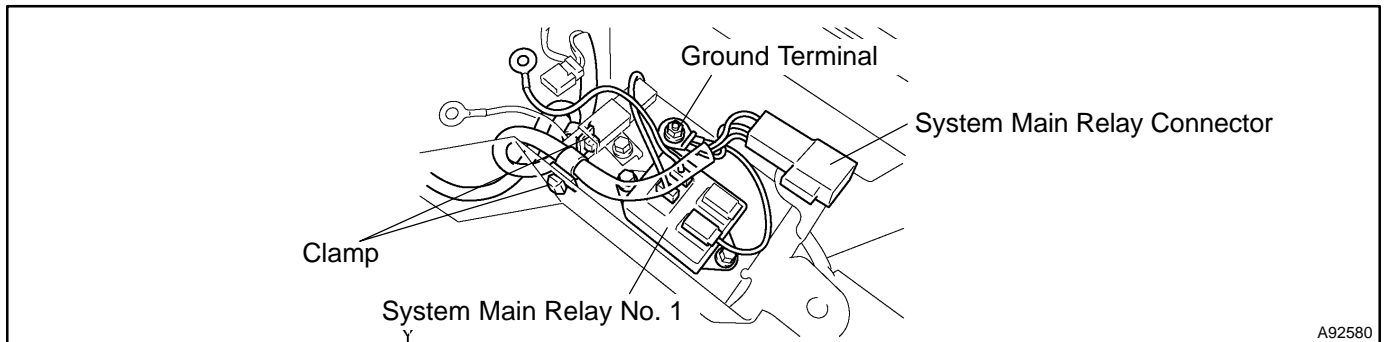
20. REMOVE SYSTEM MAIN RELAY NO.3 (See page 21-90)

NOTICE:

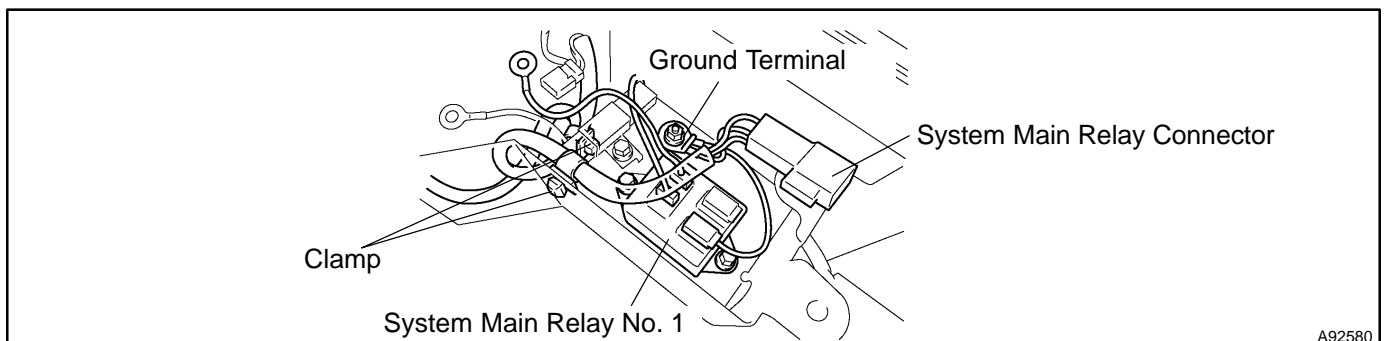
Wear insulating gloves.

21. REMOVE SYSTEM MAIN RELAY NO.1**NOTICE:****Wear insulating gloves.**

- (a) Disconnect the connector.
- (b) Remove the nut, then disconnect the ground terminal.
- (c) Disconnect the 2 clamps.
- (d) Remove the system main relay connector.
- (e) Remove the 2 bolts and system main relay No. 1.

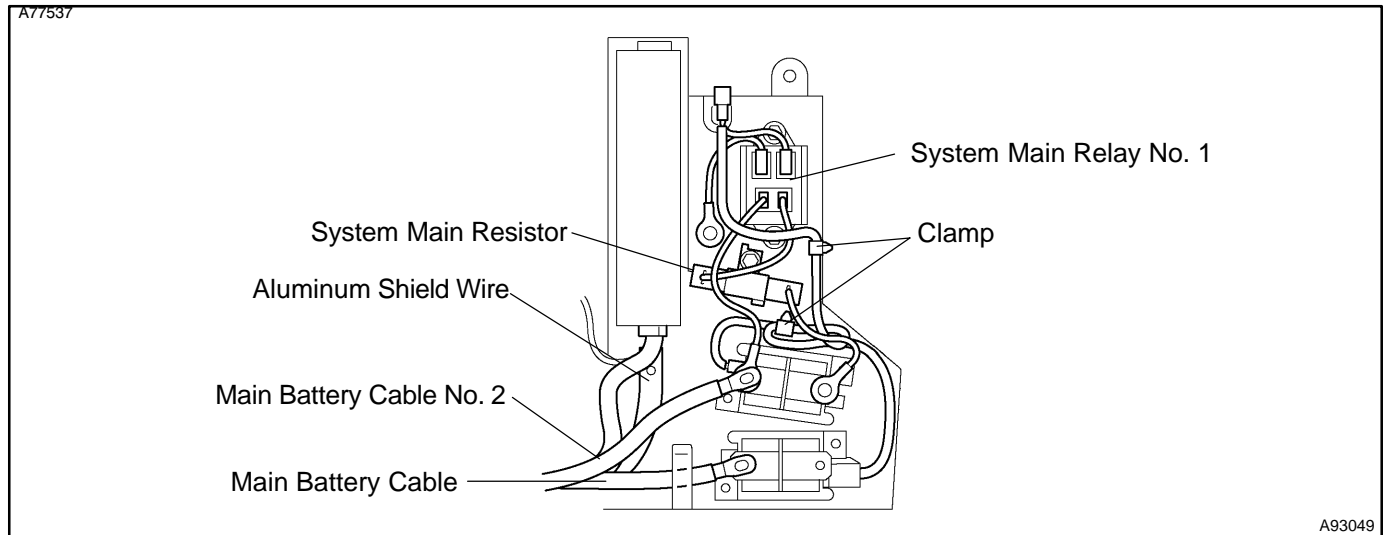
**22. INSTALL SYSTEM MAIN RELAY NO.1****NOTICE:****Wear insulating gloves.**

- (a) Install the system main relay No. 1 with the 2 bolts.
Torque: 3.4 N·m (35 kgf·cm, 30 in·lbf)
- (b) Connect the system main relay connector.
- (c) Connect the 2 clamps, then install the system main relay sub wiring harness to the upper battery carrier.
- (d) Install the ground terminal with the nut.
Torque: 5.6 N·m (57 kgf·cm, 50 in·lbf)
- (e) Install the connector.

**23. INSTALL SYSTEM MAIN RELAY NO.3 (See page 21-90)****NOTICE:****Wear insulating gloves.**

24. INSTALL SYSTEM MAIN RELAY NO.2 (See page 21-87)**NOTICE:****Wear insulating gloves.****25. INSPECT CONTACT CONDITION****NOTICE:****Wear insulating gloves.**

- (a) Check that all the wiring wire harnesses are correctly and securely connected on the upper battery carrier.

**NOTICE:**

Make sure that the connectors and clamps are connected exactly the same as the illustration above. If any of them is different, correct it immediately.

26. INSTALL FRAME WIRE (See page 21-54)**NOTICE:****Wear insulating gloves.****27. INSTALL JUNCTION TERMINAL (See page 21-54)****NOTICE:****Wear insulating gloves.****28. INSTALL BATTERY CARRIER PANEL NO.6 (See page 21-54)****29. INSTALL BATTERY CARRIER BRACKET (See page 21-54)****30. INSTALL DECK TRIM SIDE PANEL ASSY LH****31. INSTALL DECK FLOOR BOX LH****32. INSTALL REAR FLOOR BOARD NO.4****33. INSTALL REAR SIDE SEAT BACK FRAME LH****34. INSTALL REAR FLOOR BOARD NO.1****35. INSTALL REAR SEAT CUSHION ASSY****36. INSTALL TONNEAU COVER ASSY****37. INSTALL DECK TRIM COVER REAR****38. INSTALL SERVICE PLUG GRIP (See page 21-116)****NOTICE:****Wear insulating gloves.****39. CONNECT BATTERY NEGATIVE TERMINAL****Torque: 6.0 N·m (61 kgf·cm, 53 in·lbf)**

40. INSTALL REAR FLOOR BOARD NO.3
41. INSTALL DECK FLOOR BOX REAR
42. INSTALL REAR FLOOR BOARD NO.2
43. POWER WINDOW CONTROL SYSTEM INITIALIZE (See page [01-28](#))