

SYSTEM MAIN RELAY NO.2

2103U-01

REPLACEMENT

NOTICE:

- When working on the high voltage systems, always wear insulating gloves.
 - After removing the service plug grip, do not operate the power switch as it may damage the hybrid vehicle control ECU.
 - Keep the removed service plug in your pocket to prevent other technicians from reconnecting it while you are servicing the vehicle.
 - After removing the service plug grip, do not touch the high voltage connectors and terminals for 5 minutes.
1. PRECAUTION (See page 21-7)
 2. REMOVE REAR FLOOR BOARD NO.2 (See page 21-116)
 3. REMOVE DECK FLOOR BOX REAR (See page 21-116)
 4. REMOVE REAR FLOOR BOARD NO.3 (See page 21-116)
 5. DISCONNECT BATTERY NEGATIVE TERMINAL (See page 21-116)
 6. REMOVE SERVICE PLUG GRIP (See page 21-116)
 7. REMOVE DECK TRIM COVER REAR (See page 21-54)
 8. REMOVE TONNEAU COVER ASSY (See page 21-54)
 9. REMOVE REAR SEAT CUSHION ASSY (See page 21-54)
 10. REMOVE REAR FLOOR BOARD NO.1 (See page 21-54)
 11. REMOVE REAR SIDE SEAT BACK FRAME LH (See page 21-54)
 12. REMOVE REAR FLOOR BOARD NO.4 (See page 21-54)
 13. REMOVE DECK FLOOR BOX LH (See page 21-54)
 14. REMOVE DECK TRIM SIDE PANEL ASSY LH (See page 21-54)
 15. REMOVE BATTERY CARRIER BRACKET (See page 21-54)
 16. REMOVE BATTERY CARRIER PANEL NO.6 (See page 21-54)
 17. REMOVE JUNCTION TERMINAL (See page 21-54)

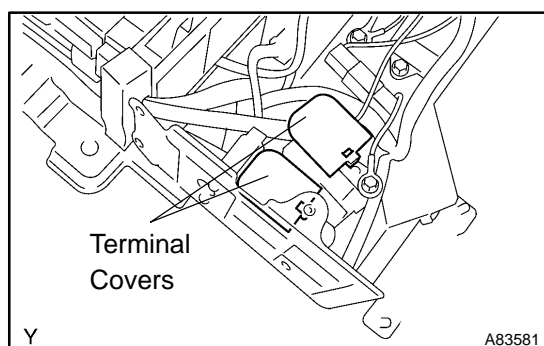
NOTICE:

Wear insulating gloves.

18. SEPARATE FRAME WIRE (See page 21-54)

NOTICE:

- Wear insulating gloves.
- Insulate the removed terminals with insulating tape.

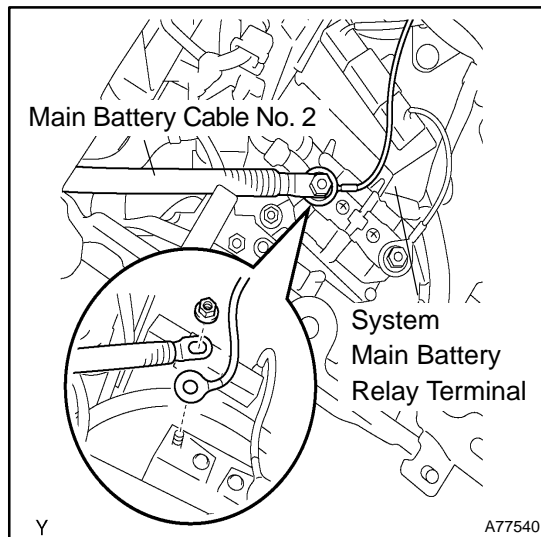


19. REMOVE SYSTEM MAIN RELAY NO.2

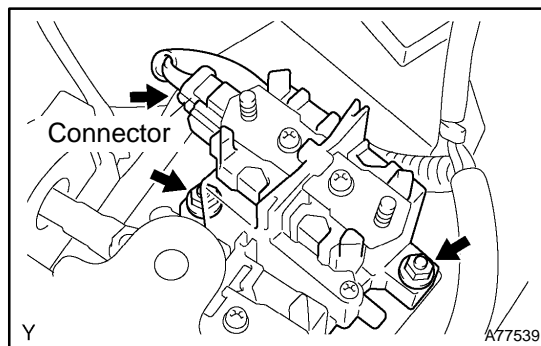
NOTICE:

Wear insulating gloves.

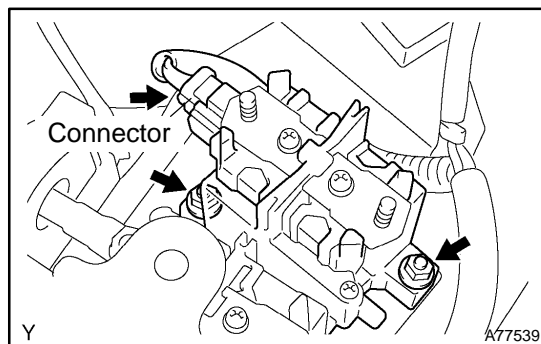
- (a) Remove the 2 terminal covers.



- (b) Remove the nut, then disconnect the system main battery relay terminal and main battery cable No. 2.



- (c) Disconnect the connector.
 (d) Remove the 2 nuts and system main relay No. 2.

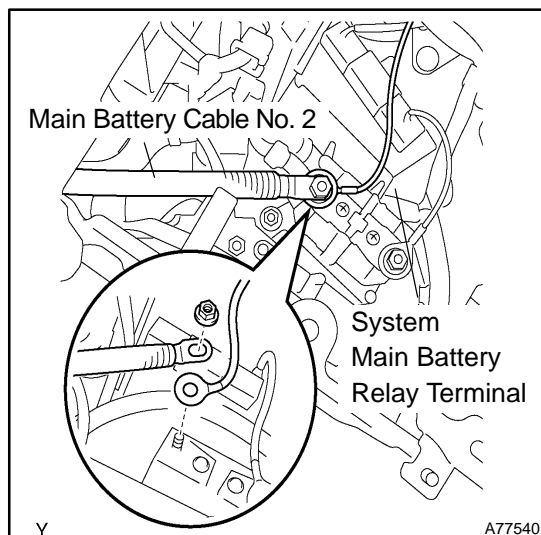


20. INSTALL SYSTEM MAIN RELAY NO.2

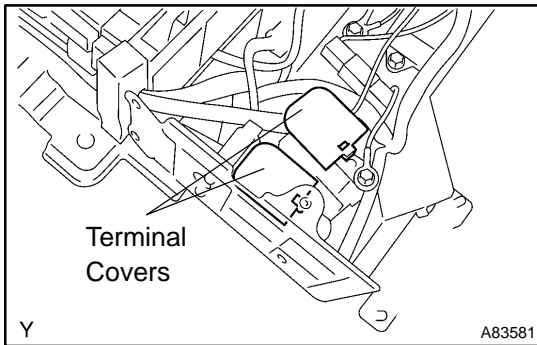
NOTICE:

Wear insulating gloves.

- (a) Install the system main relay No. 2 with the 2 nuts.
Torque: 3.4 N·m (35 kgf·cm, 30 in·lbf)
 (b) Connect the connector.



- (c) Temporarily fasten the system main relay terminal and main battery cable No. 2 terminal, in that order, and tighten a new nut.
Torque: 5.6 N·m (57 kgf·cm, 50 in·lbf)



(d) Install the 2 terminal covers.

21. INSPECT CONTACT CONDITION (See page 21-83)

NOTICE:

Wear insulating gloves.

22. INSTALL FRAME WIRE (See page 21-54)

NOTICE:

Wear insulating gloves.

23. INSTALL JUNCTION TERMINAL (See page 21-54)

NOTICE:

Wear insulating gloves.

24. INSTALL BATTERY CARRIER PANEL NO.6 (See page 21-54)

25. INSTALL BATTERY CARRIER BRACKET (See page 21-54)

26. INSTALL DECK TRIM SIDE PANEL ASSY LH

27. INSTALL DECK FLOOR BOX LH

28. INSTALL REAR FLOOR BOARD NO.4

29. INSTALL REAR SIDE SEAT BACK FRAME LH

30. INSTALL REAR FLOOR BOARD NO.1

31. INSTALL REAR SEAT CUSHION ASSY

32. INSTALL TONNEAU COVER ASSY

33. INSTALL DECK TRIM COVER REAR

34. INSTALL SERVICE PLUG GRIP (See page 21-116)

NOTICE:

Wear insulating gloves.

35. CONNECT BATTERY NEGATIVE TERMINAL

Torque: 6.0 N·m (61 kgf·cm, 53 in.-lbf)

36. INSTALL REAR FLOOR BOARD NO.3

37. INSTALL DECK FLOOR BOX REAR

38. INSTALL REAR FLOOR BOARD NO.2

39. POWER WINDOW CONTROL SYSTEM INITIALIZE (See page 01-28)