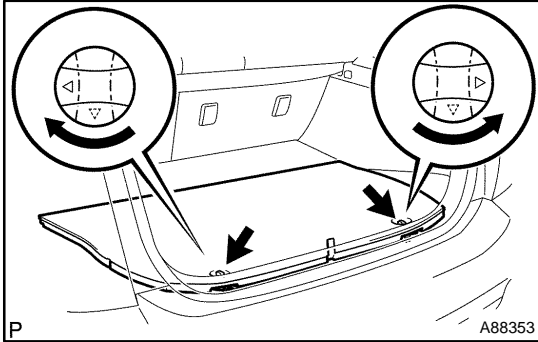


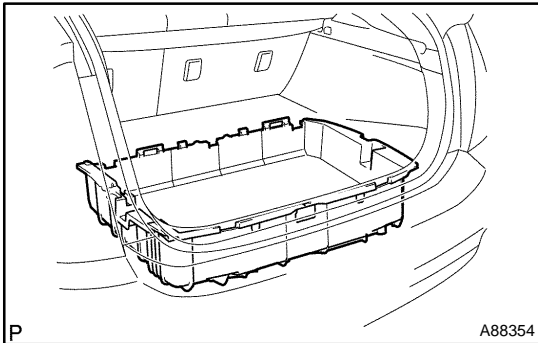
BATTERY (1NZ-FXE) REPLACEMENT

190UJ-01



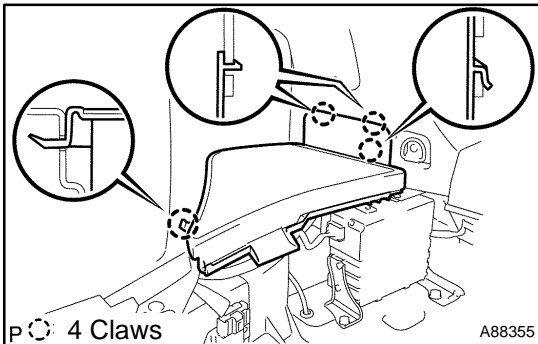
1. REMOVE REAR FLOOR BOARD NO.2

- (a) Unlock the 2 washer tank cover knobs, then remove the rear floor board No. 2.



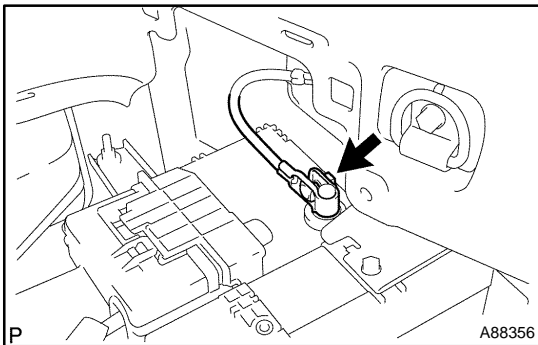
2. REMOVE DECK FLOOR BOX REAR

- (a) Remove the deck floor box rear from the vehicle.



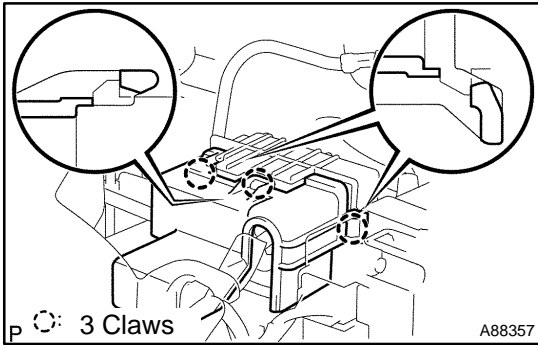
3. REMOVE REAR FLOOR BOARD NO.3

- (a) Separate the 4 claw fittings, then remove the rear floor board No. 3.



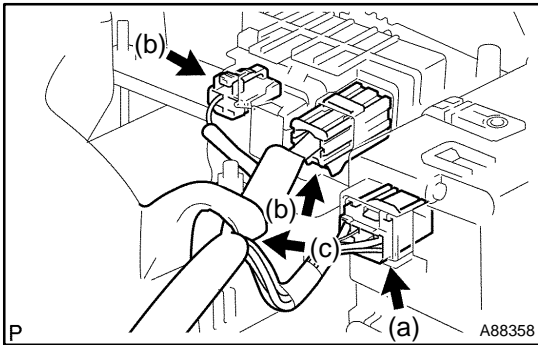
4. DISCONNECT ENGINE WIRE NO.3 (BATTERY NEGATIVE TERMINAL)

- (a) Loosen the nut, then disconnect the engine wire No. 3 (battery negative terminal).



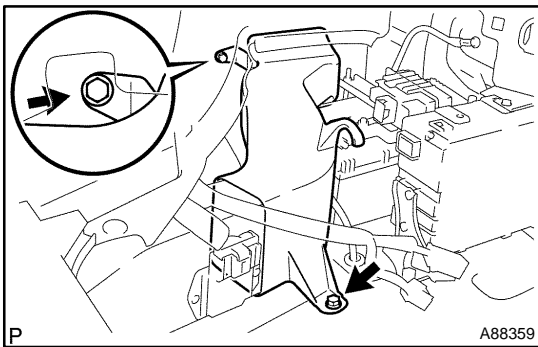
5. REMOVE CONNECTOR COVER

- (a) Separate the 3 claw fittings, then remove the connector cover.

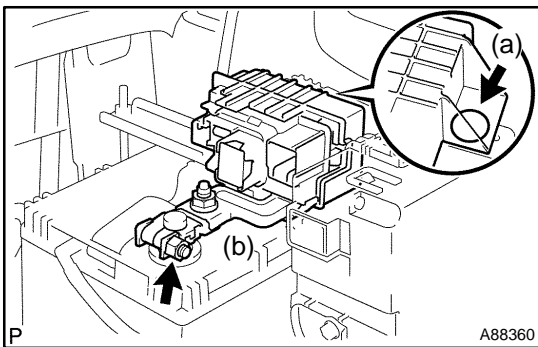


6. REMOVE QUARTER VENT DUCT NO.2

- (a) Disconnect the brake control power supply connector.
- (b) Disconnect the 2 fusible link block connectors.
- (c) Remove the wire harness from the quarter vent duct No. 2.

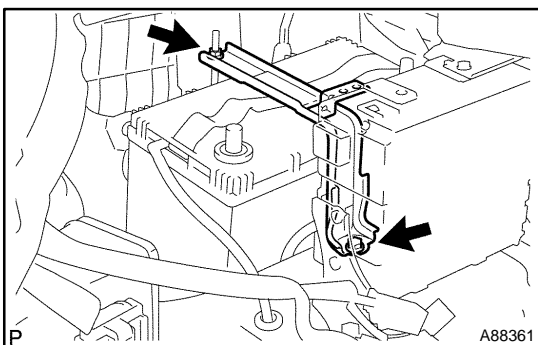


- (d) Remove the bolt and screw, then remove the quarter vent duct No. 2.



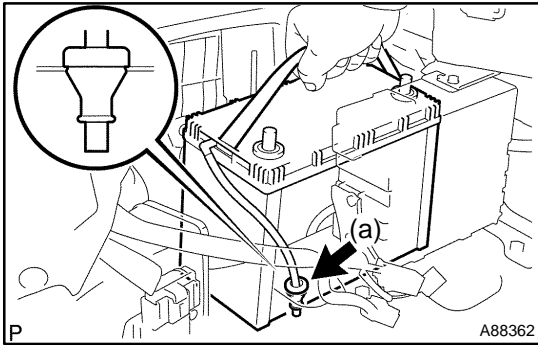
7. REMOVE FUSIBLE LINK BLOCK ASSY

- (a) Using a clip remover, remove the clip.
- (b) Loosen the nut, then remove the fusible link block.

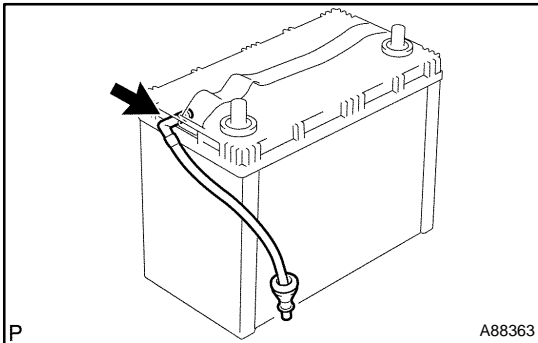


8. REMOVE BATTERY HOLD DOWN CLAMP

- (a) Remove the bolt and nut, then remove the battery hold down clamp.

**9. REMOVE BATTERY**

- (a) Remove the grommet of the battery room ventilation hose from the vehicle.
- (b) Remove the battery from the vehicle.



- (c) Remove the battery room ventilation hose from the battery.

10. INSTALL BATTERY**11. INSTALL BATTERY HOLD DOWN CLAMP**

Torque: 5.4 N·m (55 kgf·cm, 48 in·lbf)

12. INSTALL FUSIBLE LINK BLOCK ASSY

Torque: 6.0 N·m (61 kgf·cm, 53 in·lbf)

13. INSTALL QUARTER VENT DUCT NO.2

Torque: 4.0 N·m (41 kgf·cm, 35 in·lbf)

14. INSTALL CONNECTOR COVER**15. CONNECT ENGINE WIRE NO.3 (BATTERY NEGATIVE TERMINAL)**

Torque: 6.0 N·m (61 kgf·cm, 53 in·lbf)

NOTICE:

- When the warning lamp is illuminated or the battery has been disconnected and reconnected, turning the power switch may not start the system on the first try. If so, turn the power switch again.
 - With the power switch's power mode changed to ON (IG), disconnect the battery. If the key is not in the key slot during reconnection, DTC B2799 may be output.
16. INSTALL REAR FLOOR BOARD NO.3
 17. INSTALL DECK FLOOR BOX REAR
 18. INSTALL REAR FLOOR BOARD NO.2
 19. POWER WINDOW CONTROL SYSTEM INITIALIZE (See page [01-28](#))