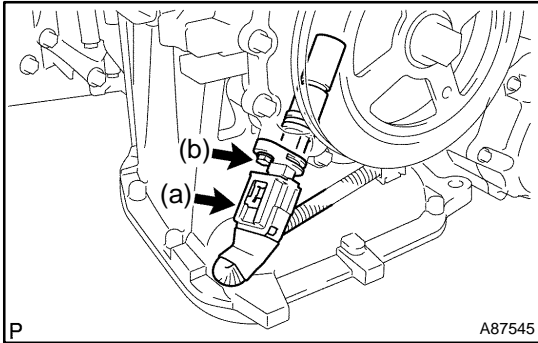


# CRANKSHAFT POSITION SENSOR (1NZ-FXE)

180BH-01

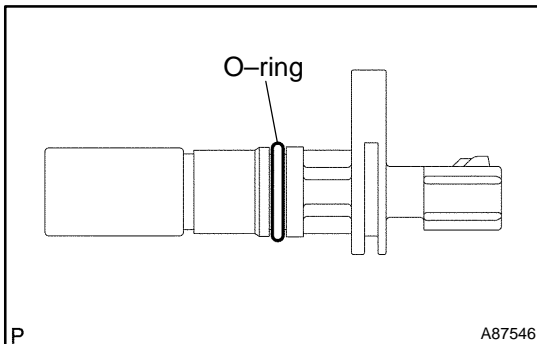
## REPLACEMENT

1. REMOVE REAR FLOOR BOARD NO.2 (See page 19-2)
2. REMOVE DECK FLOOR BOX REAR (See page 19-2)
3. REMOVE REAR FLOOR BOARD NO.3 (See page 19-2)
4. DISCONNECT ENGINE WIRE NO.3 (BATTERY NEGATIVE TERMINAL) (See page 19-2)



### 5. REMOVE CRANKSHAFT POSITION SENSOR

- (a) Disconnect the crankshaft position sensor connector.
- (b) Remove the bolt, then remove the crankshaft position sensor.



### 6. INSTALL CRANKSHAFT POSITION SENSOR

- (a) Apply a light coat of engine oil to the O-ring of the crankshaft position sensor.
- (b) Install the crankshaft position sensor with the bolt.

**Torque: 7.5 N·m (76 kgf·cm, 66 in.-lbf)**

#### NOTICE:

**Be careful that the O-ring is not cracked or jammed when installing.**

- (c) Connect the crankshaft position sensor connector.

7. CONNECT ENGINE WIRE NO.3 (BATTERY NEGATIVE TERMINAL) (See page 19-2)
8. CHECK FOR ENGINE OIL LEAKS
9. INSTALL REAR FLOOR BOARD NO.3
10. INSTALL DECK FLOOR BOX REAR
11. INSTALL REAR FLOOR BOARD NO.2
12. POWER WINDOW CONTROL SYSTEM INITIALIZE (See page 01-28)