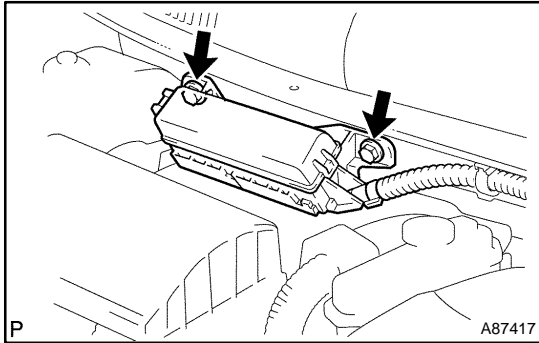


IGNITION COIL NO.1 (1NZ-FXE)

180BI-01

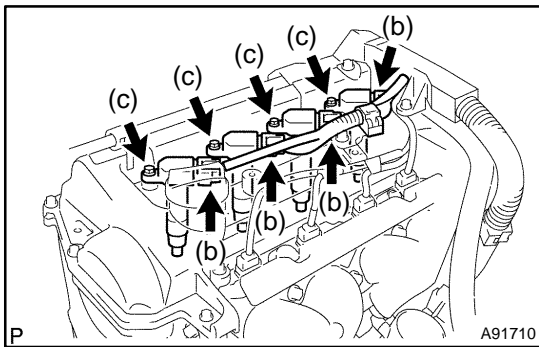
REPLACEMENT

1. REMOVE REAR FLOOR BOARD NO.2 (See page 19-2)
2. REMOVE DECK FLOOR BOX REAR (See page 19-2)
3. REMOVE REAR FLOOR BOARD NO.3 (See page 19-2)
4. DISCONNECT ENGINE WIRE NO.3 (BATTERY NEGATIVE TERMINAL) (See page 19-2)



5. REMOVE IGNITION COIL NO.1

- (a) Remove the 2 bolts, then remove the engine room relay block No. 2.



- (b) Disconnect the 4 ignition coil connectors.
- (c) Remove the 4 bolts, then remove the 4 ignition coils.

HINT:

Each ignition coil is installed with 1 bolt.

6. INSTALL IGNITION COIL NO.1

- (a) Install the 4 ignition coils with the 4 bolts.
Torque: 9.0 N·m (92 kgf·cm, 82 in·lbf)

HINT:

Each ignition coil is installed with 1 bolt.

- (b) Connect the 4 ignition coil connectors.
- (c) Install the engine room relay block No. 2 with the 2 bolts.

Torque: 8.4 N·m (86 kgf·cm, 74 in·lbf)

7. CONNECT ENGINE WIRE NO.3 (BATTERY NEGATIVE TERMINAL) (See page 19-2)
8. INSTALL REAR FLOOR BOARD NO.3
9. INSTALL DECK FLOOR BOX REAR
10. INSTALL REAR FLOOR BOARD NO.2
11. POWER WINDOW CONTROL SYSTEM INITIALIZE (See page 01-28)