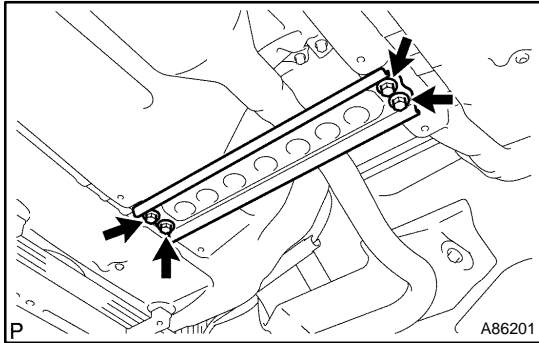


## Removal & Installation and Disassembly & Reassembly

1. REMOVE REAR FLOOR BOARD NO.2 (See page 19-2)
2. REMOVE DECK FLOOR BOX REAR (See page 19-2)
3. REMOVE REAR FLOOR BOARD NO.3 (See page 19-2)
4. DISCONNECT ENGINE WIRE NO.3 (BATTERY NEGATIVE TERMINAL) (See page 19-2)
5. REMOVE INSTRUMENT PANEL FINISH PANEL LOWER CENTER (See page 71-13)
6. REMOVE HEATED OXYGEN SENSOR (See page 12-28)  
SST 09224-00010

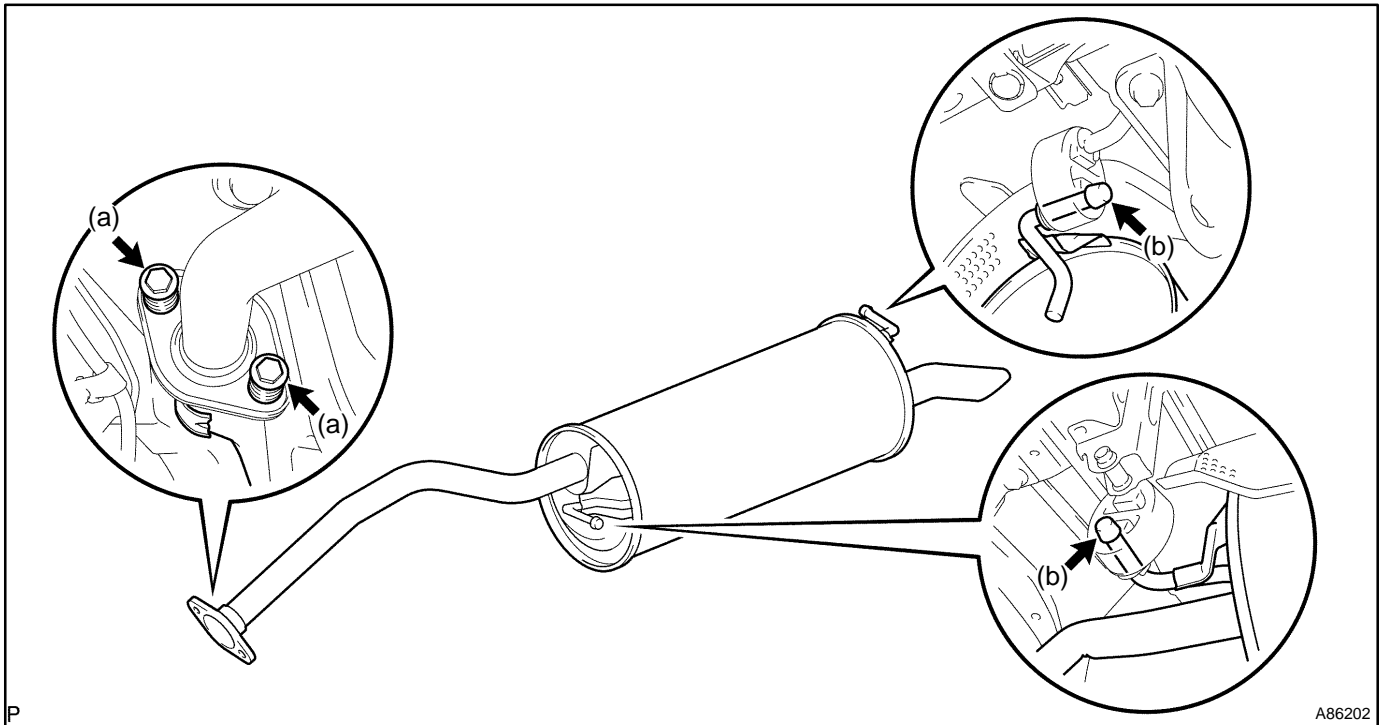


### 7. REMOVE FLOOR PANEL BRACE FRONT

- (a) Remove the 4 bolts, then remove the floor panel brace front.

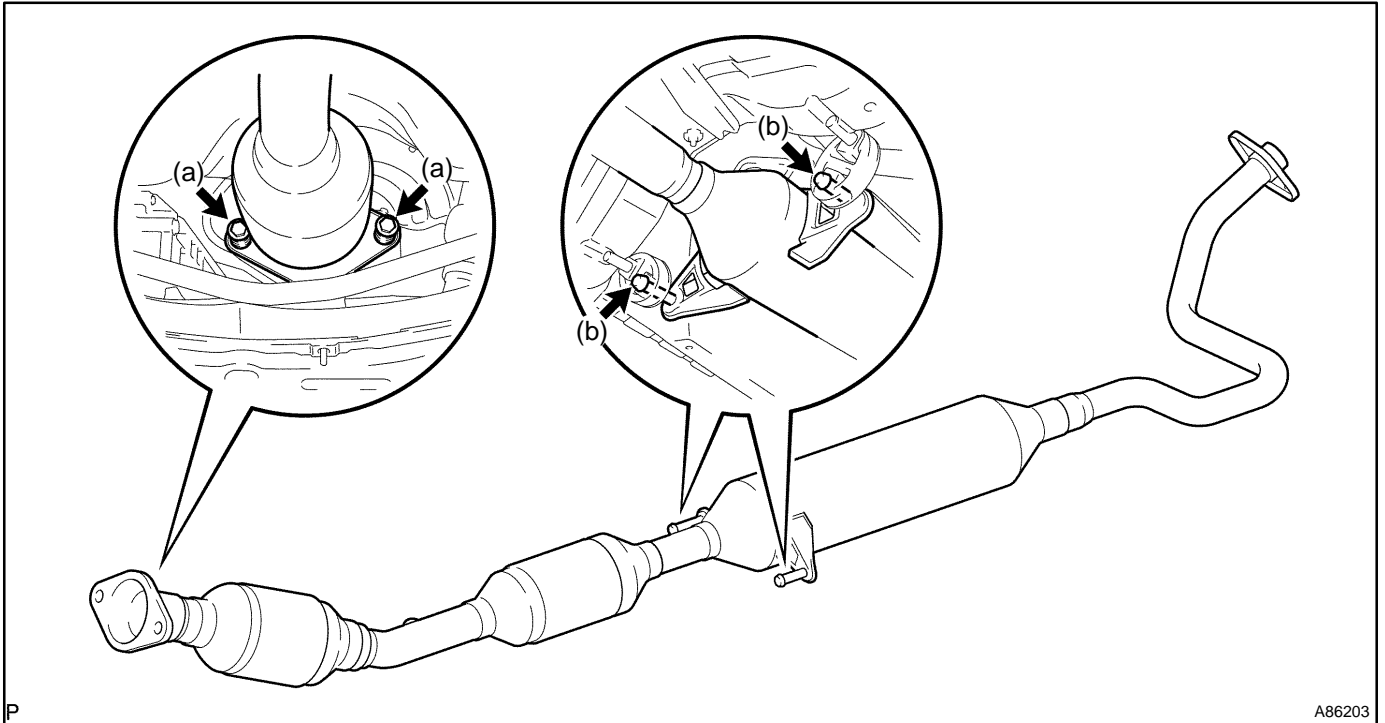
### 8. REMOVE EXHAUST PIPE ASSY TAIL

- (a) Remove the 2 bolts and 2 compression springs.
- (b) Remove the exhaust pipe tail from the 2 exhaust pipe supports.
- (c) Remove the gasket from the exhaust pipe front.



**9. REMOVE EXHAUST PIPE ASSY FRONT**

- (a) Remove the 2 bolts and 2 compression springs.
- (b) Remove the exhaust pipe front from the 2 exhaust pipe supports.
- (c) Remove the gasket from the exhaust manifold.



P

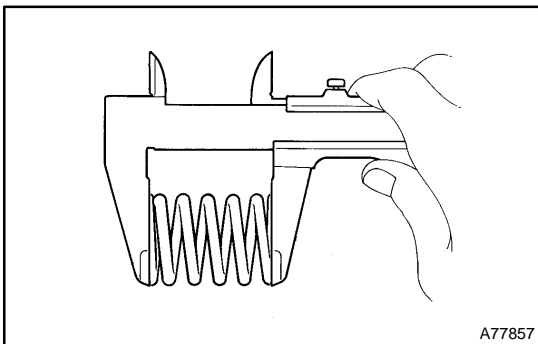
A86203

**10. INSTALL EXHAUST PIPE ASSY FRONT**

- (a) Inspect the free length.
  - (1) Using vernier calipers, measure the free length of the compression spring.

**Minimum: 40.5mm (1.594 in.)**

If the free length is less than minimum, replace the compression spring.

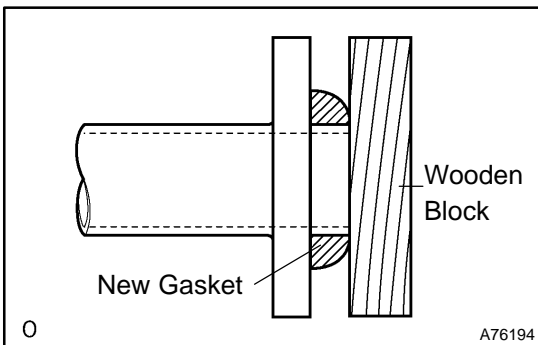


A77857

- (b) Using a wooden block and plastic-faced hammer, tap in a new gasket until it is flush with the exhaust manifold.

**NOTICE:**

- **Be careful of the installation direction of a new gasket.**
- **Do not reuse the removed gasket.**
- **Never push a new gasket into the exhaust manifold by installing the exhaust pipe front to the exhaust manifold.**



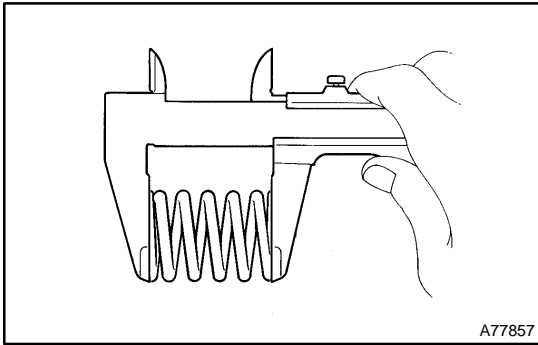
O

A76194

- (c) Install the exhaust pipe front to the 2 exhaust pipe supports.

- (d) Tighten the compression springs and 2 bolts.

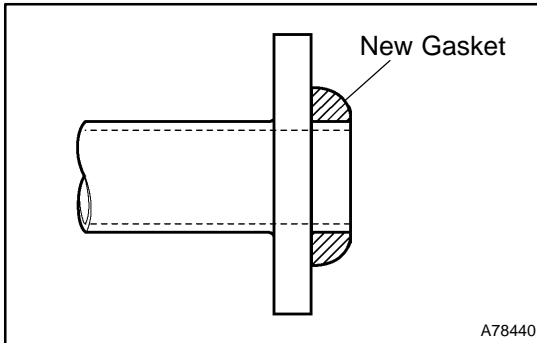
**Torque: 43 N·m (440 kgf·cm, 32 ft·lbf)**

**11. INSTALL EXHAUST PIPE ASSY TAIL**

- (a) Inspect the free length.
- (1) Using vernier calipers, measure the free length of the compression spring.

**Minimum: 38.5mm (1.516 in.)**

If the free length is less than minimum, replace the compression spring.



- (b) Install a new gasket to the exhaust pipe front.

**NOTICE:**

**Be careful of the installation direction of a new gasket.**

- (c) Install the exhaust pipe tail to the 2 exhaust pipe supports.
- (d) Tighten the 2 compression springs and 2 bolts.

**Torque: 43 N·m (440 kgf·cm, 32 ft·lbf)**

**12. INSTALL FLOOR PANEL BRACE FRONT**

**Torque: 30 N·m (302 kgf·cm, 22 ft·lbf)**

**13. INSTALL HEATED OXYGEN SENSOR (See page 12-28)**

SST 09224-00010

**14. INSTALL INSTRUMENT PANEL FINISH PANEL LOWER CENTER****15. CONNECT ENGINE WIRE NO.3 (BATTERY NEGATIVE TERMINAL) (See page 19-2)****16. CHECK FOR EXHAUST GAS LEAKS****17. INSTALL REAR FLOOR BOARD NO.3****18. INSTALL DECK FLOOR BOX REAR****19. INSTALL REAR FLOOR BOARD NO.2****20. POWER WINDOW CONTROL SYSTEM INITIALIZE (See page 01-28)**