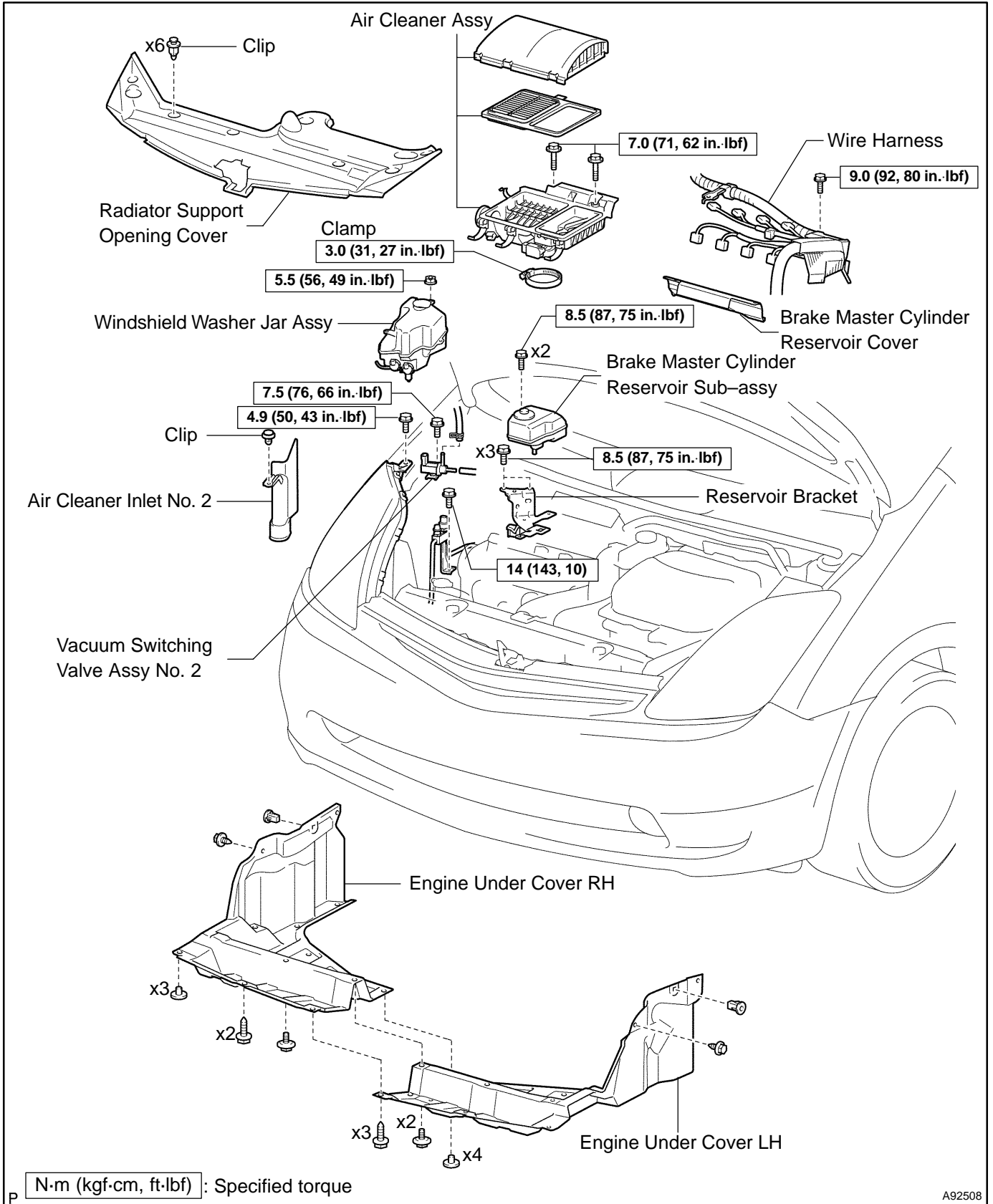
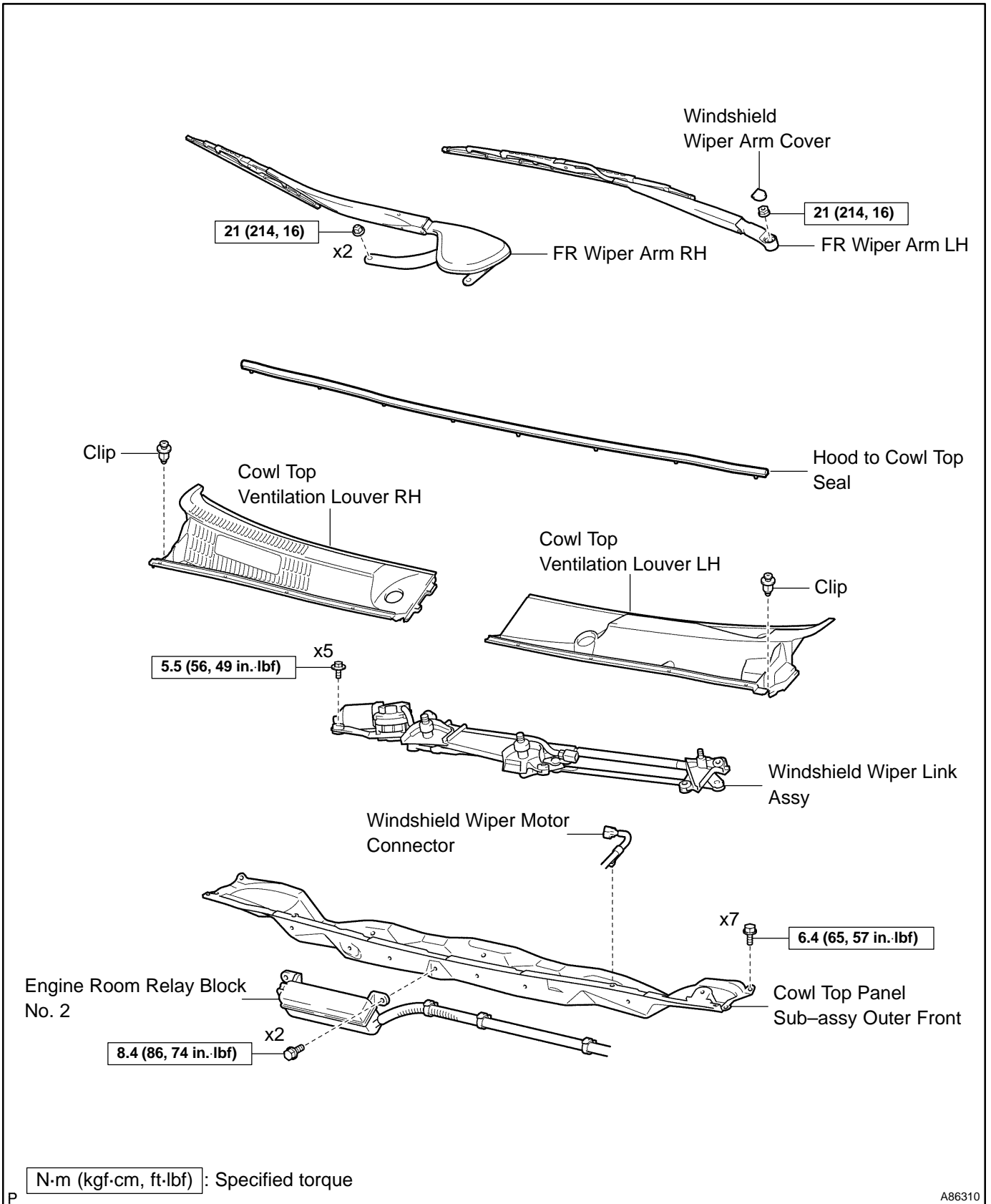


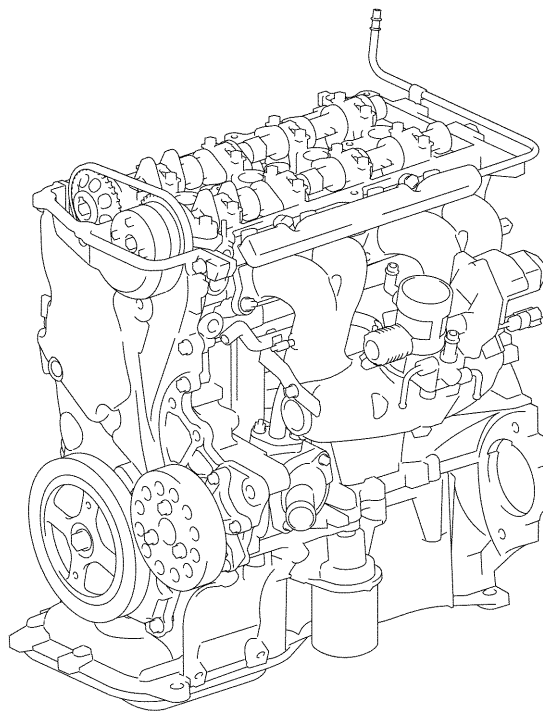
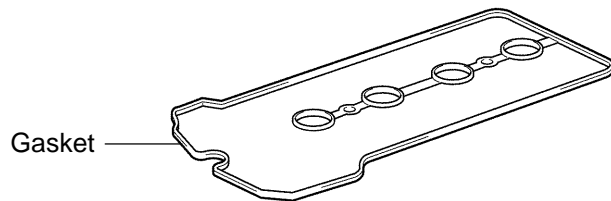
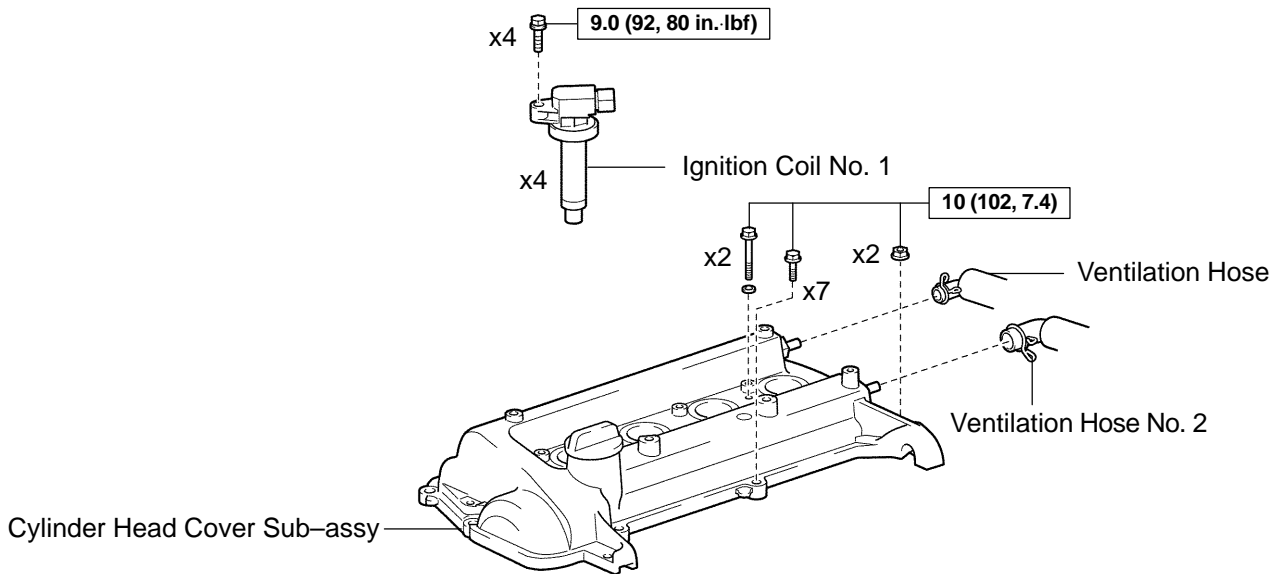
CHAIN SUB-ASSY (1NZ-FXE) COMPONENTS

1410P-01



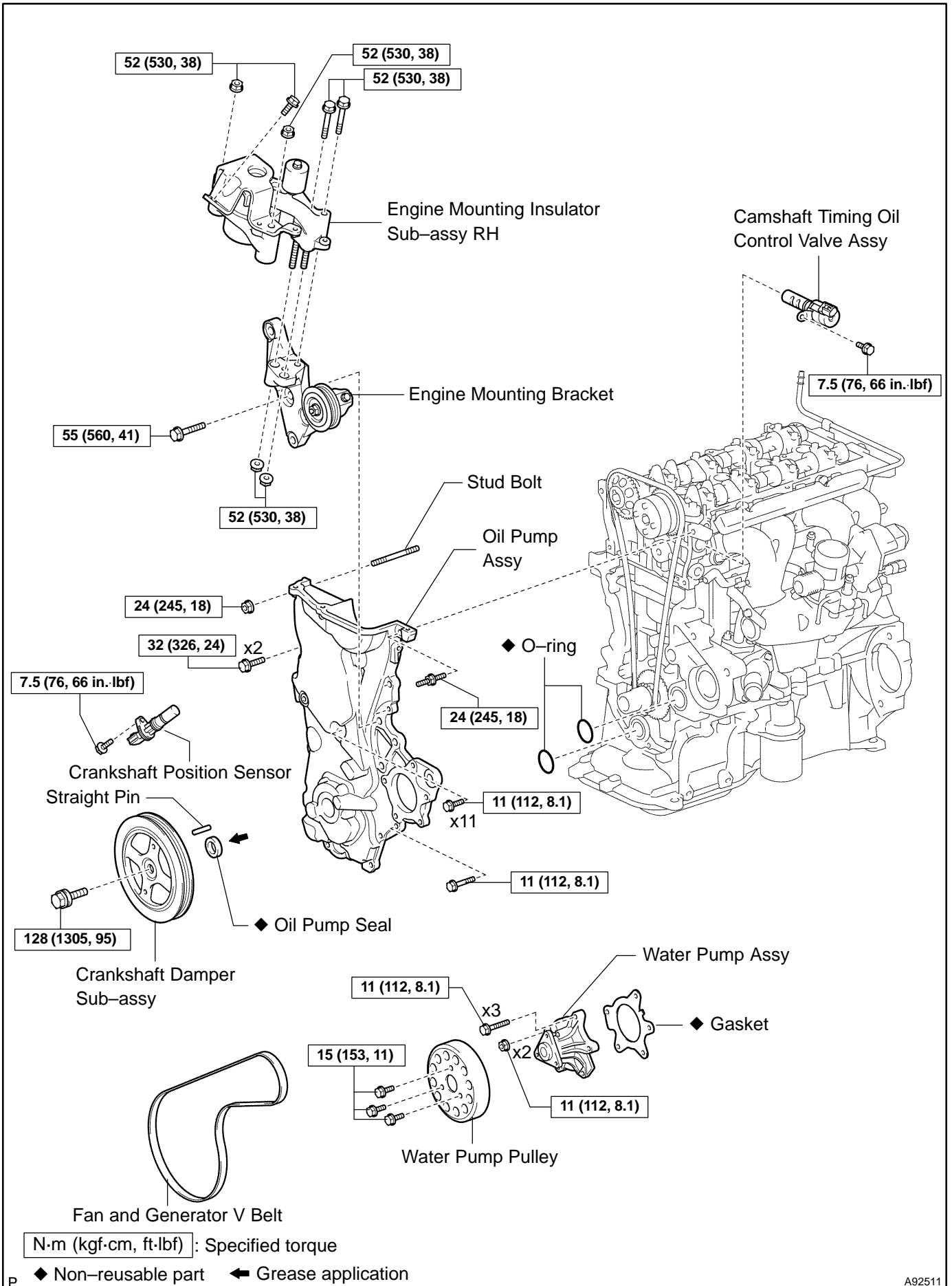
A92508





N·m (kgf·cm, ft·lbf) : Specified torque

A92510



A92511

