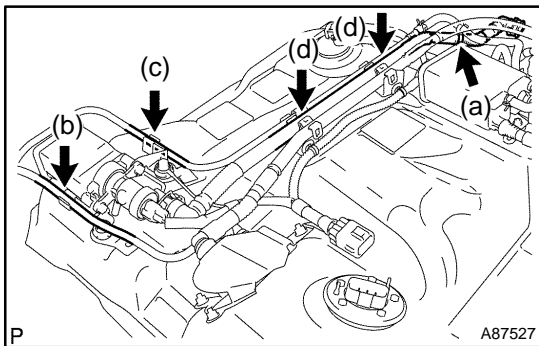


TRAP W/OUTLET VALVE CANISTER ASSY (1NZ-FXE)

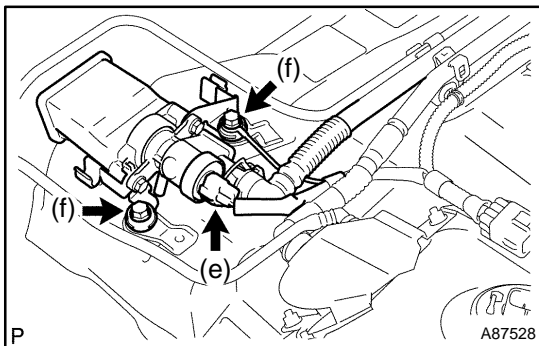
REPLACEMENT

120DU-01

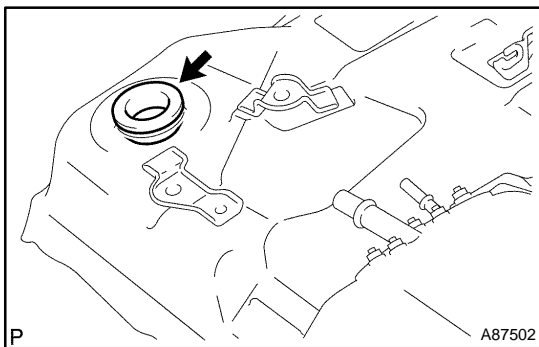
1. DISCHARGE FUEL SYSTEM PRESSURE (See page 11-3)
2. REMOVE REAR FLOOR BOARD NO.2 (See page 19-2)
3. REMOVE DECK FLOOR BOX REAR (See page 19-2)
4. REMOVE REAR FLOOR BOARD NO.3 (See page 19-2)
5. DISCONNECT ENGINE WIRE NO.3 (BATTERY NEGATIVE TERMINAL) (See page 19-2)
6. REMOVE REAR SEAT CUSHION ASSY (See page 72-9)
7. REMOVE REAR FLOOR SERVICE HOLE COVER (See page 11-24)
8. REMOVE FLOOR PANEL BRACE FRONT (See page 15-2)
9. REMOVE EXHAUST PIPE ASSY FRONT (See page 11-24)
10. REMOVE FUEL TANK ASSY (See page 11-24)



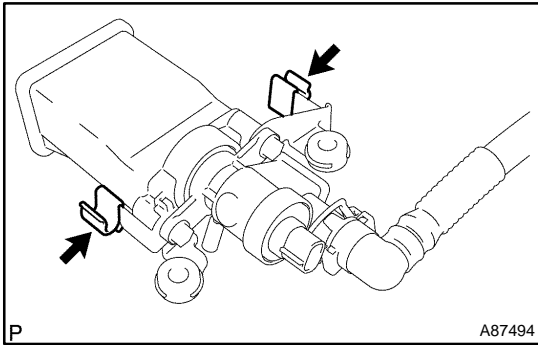
11. REMOVE TRAP W/OUTLET VALVE CANISTER ASSY
 - (a) Remove the clamp from the fuel tank vent hose and charcoal canister hose.
 - (b) Remove the tube of the fuel tank main tube from the clamp.
 - (c) Remove the tube of the fuel tank to canister tube from the clamp.
 - (d) Remove the tube of the fuel tank vent hose from the 2 fuel tube with grommet clamps No. 1.



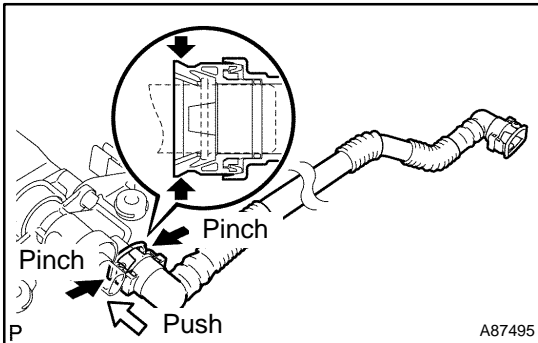
- (e) Disconnect the VSV connector.
- (f) Remove the 2 bolts, then remove the trap with outlet valve canister and ground terminal of the fuel tank wire.



- (g) Remove the gasket from the fuel tank.



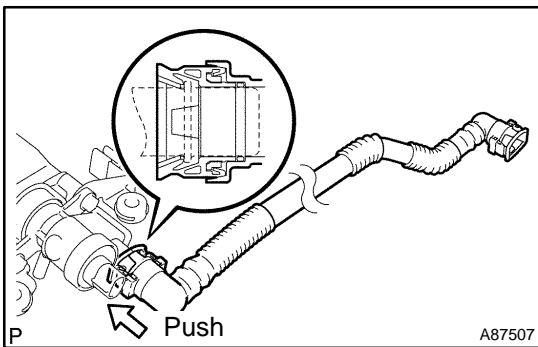
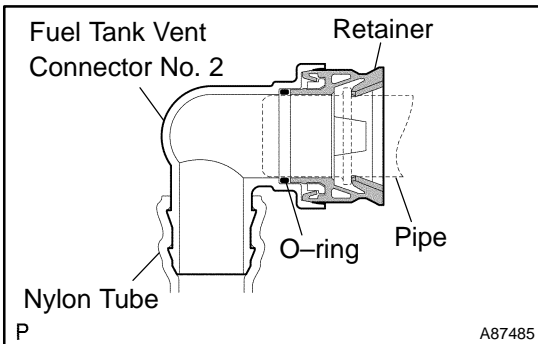
(h) Remove the 2 clamps from the trap with outlet valve canister.



(i) Remove the fuel tank vent hose.
 (j) Pinch the retainer and pull out the fuel tank vent connector No. 2 with the fuel tank vent connector No. 2 pushed to the pipe side to remove the fuel tank vent hose from the trap with outlet valve canister.

NOTICE:

- Remove dirt or foreign objects on the fuel tank vent connector No. 2 before this work.
- Do not allow any scratches or foreign objects on the parts when disconnecting as the fuel tank vent connector No. 2 has the O-ring that seals the pipe.
- Perform this work by hand. Do not use any tools.
- Do not forcibly bend, twist or turn the nylon tube.
- Protect the connected part by covering it with a vinyl bag after disconnecting the fuel tank vent hose.
- If the fuel tank vent connector No. 2 and pipe are stuck, push and pull them to release.

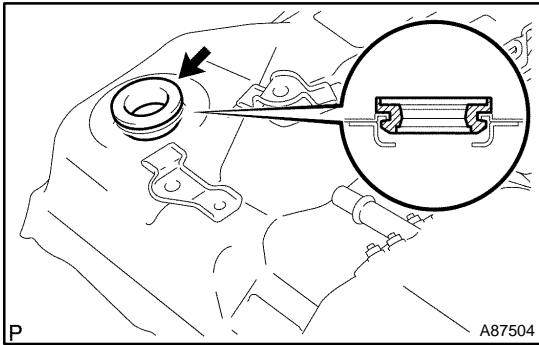


12. INSTALL TRAP W/OUTLET VALVE CANISTER ASSY

(a) Install the fuel tank vent hose.
 (1) Align the fuel tank vent connector No. 2 with the pipe, then push in the fuel tank vent connector No. 2 until the retainer makes a "click" sound to install the fuel tank vent hose to the trap with outlet valve canister.

NOTICE:

- Check that there are no scratches or foreign objects around the connected part of the fuel tank vent connector No. 2 and pipe before this work.
- After connecting the fuel tank vent hose, check that the fuel tank vent hose is securely connected by pulling the fuel tank vent connector No. 2.



- (b) Install a new gasket to the fuel tank.
- (c) While being careful that the gasket does not drop in the fuel tank, insert the trap with outlet valve canister to the fuel tank.
- (d) Install the trap with outlet valve canister and ground terminal of the fuel tank wire with the 2 bolts.
Torque: 6.0 N·m (61 kgf·cm, 53 in.-lbf)
- (e) Install the tube of the fuel tank vent hose to the 2 fuel tube with grommet clamps. No. 1.
- (f) Install the clamp to the fuel tank vent hose and charcoal canister hose.
- (g) Connect the VSV connector.
- (h) Install the fuel tank vent hose to the 2 fuel tube with grommet clamps No. 1
- (i) Install the tube of the fuel tank to canister tube to the clamp.
- (j) Install the tube of the fuel tank main tube to the clamp.
- (k) Install the clamp to the fuel tank vent hose and charcoal canister hose.

- 13. **INSTALL FUEL TANK ASSY (See page 11-24)**
- 14. **INSTALL EXHAUST PIPE ASSY FRONT (See page 11-24)**
- 15. **CONNECT ENGINE WIRE NO.3 (BATTERY NEGATIVE TERMINAL) (See page 19-2)**
- 16. **CHECK FOR FUEL LEAKS (See page 11-7)**
- 17. **CHECK FOR EXHAUST GAS LEAKS**
- 18. **INSTALL FLOOR PANEL BRACE FRONT (See page 15-2)**
- 19. **INSTALL INSTRUMENT PANEL FINISH PANEL LOWER CENTER**
- 20. **INSTALL REAR FLOOR SERVICE HOLE COVER (See page 11-24)**
- 21. **INSTALL REAR SEAT CUSHION ASSY (See page 72-9)**
- 22. **INSTALL REAR FLOOR BOARD NO.3**
- 23. **INSTALL DECK FLOOR BOX REAR**
- 24. **INSTALL REAR FLOOR BOARD NO.2**
- 25. **POWER WINDOW CONTROL SYSTEM INITIALIZE (See page 01-28)**