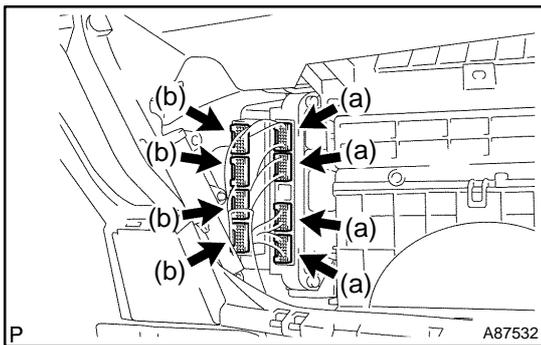


# ECM (1NZ-FXE)

100MV-01

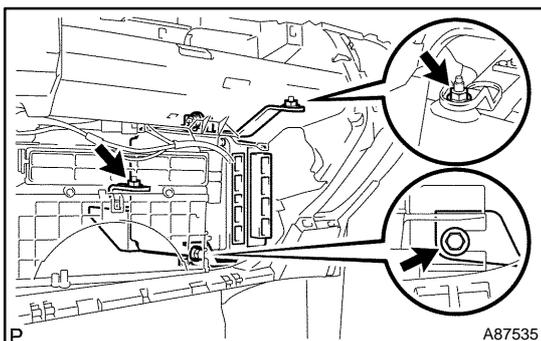
## REPLACEMENT

1. REMOVE REAR FLOOR BOARD NO.2 (See page 19-2)
2. REMOVE DECK FLOOR BOX REAR (See page 19-2)
3. REMOVE REAR FLOOR BOARD NO.3 (See page 19-2)
4. DISCONNECT ENGINE WIRE NO.3 (BATTERY NEGATIVE TERMINAL) (See page 19-2)
5. REMOVE INSTRUMENT PANEL REGISTER ASSY NO.1 (See page 71-7)
6. REMOVE INSTRUMENT PANEL FINISH PANEL SUB-ASSY LOWER (See page 71-7)
7. REMOVE INSTRUMENT PANEL FINISH PANEL SUB-ASSY UPPER (See page 71-7)
8. REMOVE INSTRUMENT PANEL REGISTER ASSY NO.3 (See page 71-7)
9. REMOVE INSTRUMENT PANEL REGISTER ASSY NO.4 (See page 71-7)
10. REMOVE INSTRUMENT PANEL REGISTER ASSY NO.2 (See page 71-7)
11. REMOVE MULTI-DISPLAY ASSY (See page 67-7)
12. REMOVE GLOVE COMPARTMENT DOOR STOPPER SUB-ASSY (See page 71-7)
13. REMOVE GLOVE COMPARTMENT DOOR ASSY (See page 71-7)
14. REMOVE INSTRUMENT PANEL CUSHION
15. REMOVE INSTRUMENT CLUSTER FINISH PANEL END
16. REMOVE INSTRUMENT PANEL HOLE COVER (See page 71-7)
17. REMOVE GLOVE COMPARTMENT DOOR (See page 71-7)
18. REMOVE INSTR PANEL SPEAKER PANEL SUB-ASSY NO.1 W/CTR SPEAKER (W/ JBL SOUND SYSTEM) (See page 67-11)
19. REMOVE FRONT PILLAR GARNISH CORNER PIECE LH (See page 76-28)
20. REMOVE FRONT PILLAR GARNISH CORNER PIECE RH (See page 76-28)
21. REMOVE FRONT PILLAR GARNISH LH (See page 76-28)
22. REMOVE FRONT PILLAR GARNISH RH (See page 76-28)
23. DISCONNECT PASSENGER AIRBAG CONNECTOR (See page 60-32)
24. REMOVE INSTRUMENT PANEL SUB-ASSY W/PASSENGER AIRBAG ASSY (See page 71-7)
25. REMOVE HEATER TO REGISTER DUCT NO.3 (See page 55-17)

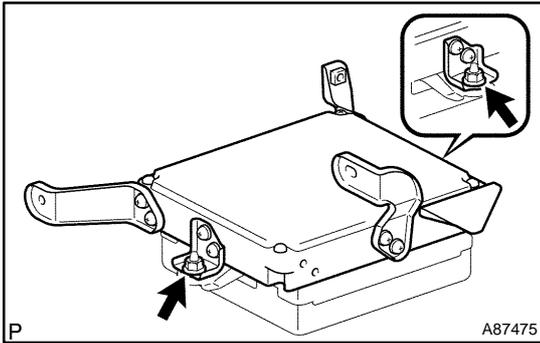


### 26. REMOVE ECM

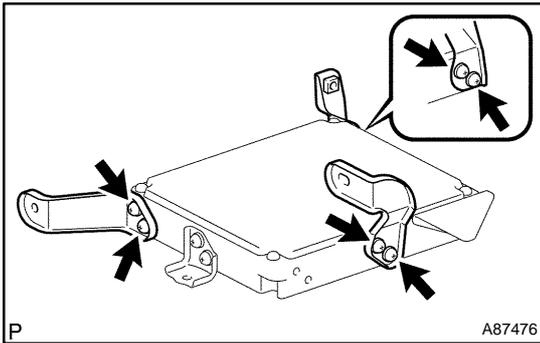
- (a) Disconnect the 4 ECM connectors.
- (b) Disconnect the 4 hybrid vehicle control ECU connectors.



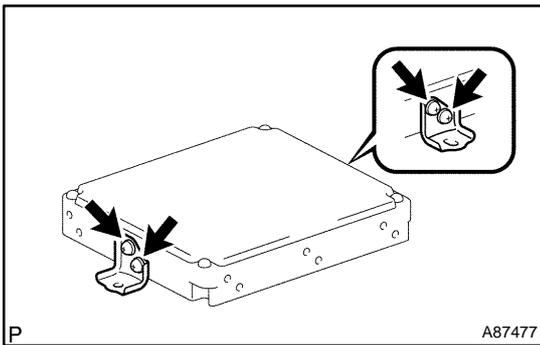
- (c) Remove the 2 bolts and nut, then remove the ECM.



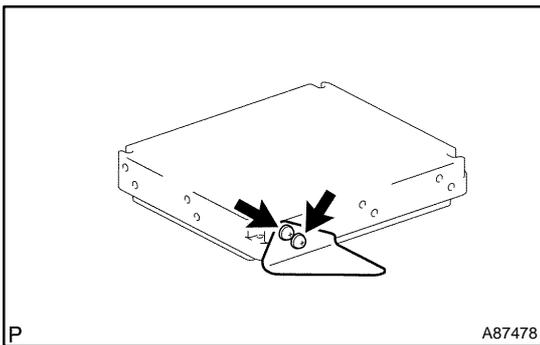
(d) Remove the 2 nuts, then remove the ECM.



(e) Remove the 6 screws, then remove the 3 ECM brackets No. 1.



(f) Remove the 4 screws, then remove the 2 ECM brackets No. 2.



(g) Remove the 2 screws, then remove the ECM bracket No. 3.

**27. INSTALL ECM**

Torque: 3.0 N·m (31 kgf·cm, 27 in·lbf)

**28. INSTALL HEATER TO REGISTER DUCT NO.3**

**29. INSTALL INSTRUMENT PANEL SUB-ASSY W/PASSENGER AIRBAG ASSY**

**30. CONNECT PASSENGER AIRBAG CONNECTOR**

**31. INSTALL FRONT PILLAR GARNISH RH**

**32. INSTALL FRONT PILLAR GARNISH LH**

**33. INSTALL FRONT PILLAR GARNISH CORNER PIECE RH**

**34. INSTALL FRONT PILLAR GARNISH CORNER PIECE LH**

35. INSTALL INSTR PANEL SPEAKER PANEL SUB-ASSY NO.1 W/CTR SPEAKER (W/ JBL SOUND SYSTEM)
36. INSTALL GLOVE COMPARTMENT DOOR
37. INSTALL INSTRUMENT PANEL HOLE COVER
38. INSTALL INSTRUMENT CLUSTER FINISH PANEL END
39. INSTALL INSTRUMENT PANEL CUSHION
40. INSTALL GLOVE COMPARTMENT DOOR ASSY
41. INSTALL GLOVE COMPARTMENT DOOR STOPPER SUB-ASSY
42. INSTALL MULTI-DISPLAY ASSY
43. INSTALL INSTRUMENT PANEL REGISTER ASSY NO.2
44. INSTALL INSTRUMENT PANEL REGISTER ASSY NO.4
45. INSTALL INSTRUMENT PANEL REGISTER ASSY NO.3
46. INSTALL INSTRUMENT PANEL FINISH PANEL SUB-ASSY UPPER
47. INSTALL INSTRUMENT PANEL FINISH PANEL SUB-ASSY LOWER
48. INSTALL INSTRUMENT PANEL REGISTER ASSY NO.1
49. CONNECT ENGINE WIRE NO.3 (BATTERY NEGATIVE TERMINAL) (See page 19-2)
50. INSPECT SRS WARNING LIGHT (See page 05-1397)
51. INSTALL REAR FLOOR BOARD NO.3
52. INSTALL DECK FLOOR BOX REAR
53. INSTALL REAR FLOOR BOARD NO.2
54. POWER WINDOW CONTROL SYSTEM INITIALIZE (See page 01-28)