

<b>DTC</b>	<b>U0073</b>	<b>CONTROL MODULE COMMUNICATION BUS OFF</b>
------------	--------------	---

<b>DTC</b>	<b>U0121</b>	<b>LOST COMMUNICATION WITH ANTI-LOCK BRAKE SYSTEM (ABS) CONTROL MODULE</b>
------------	--------------	--

**CIRCUIT DESCRIPTION**

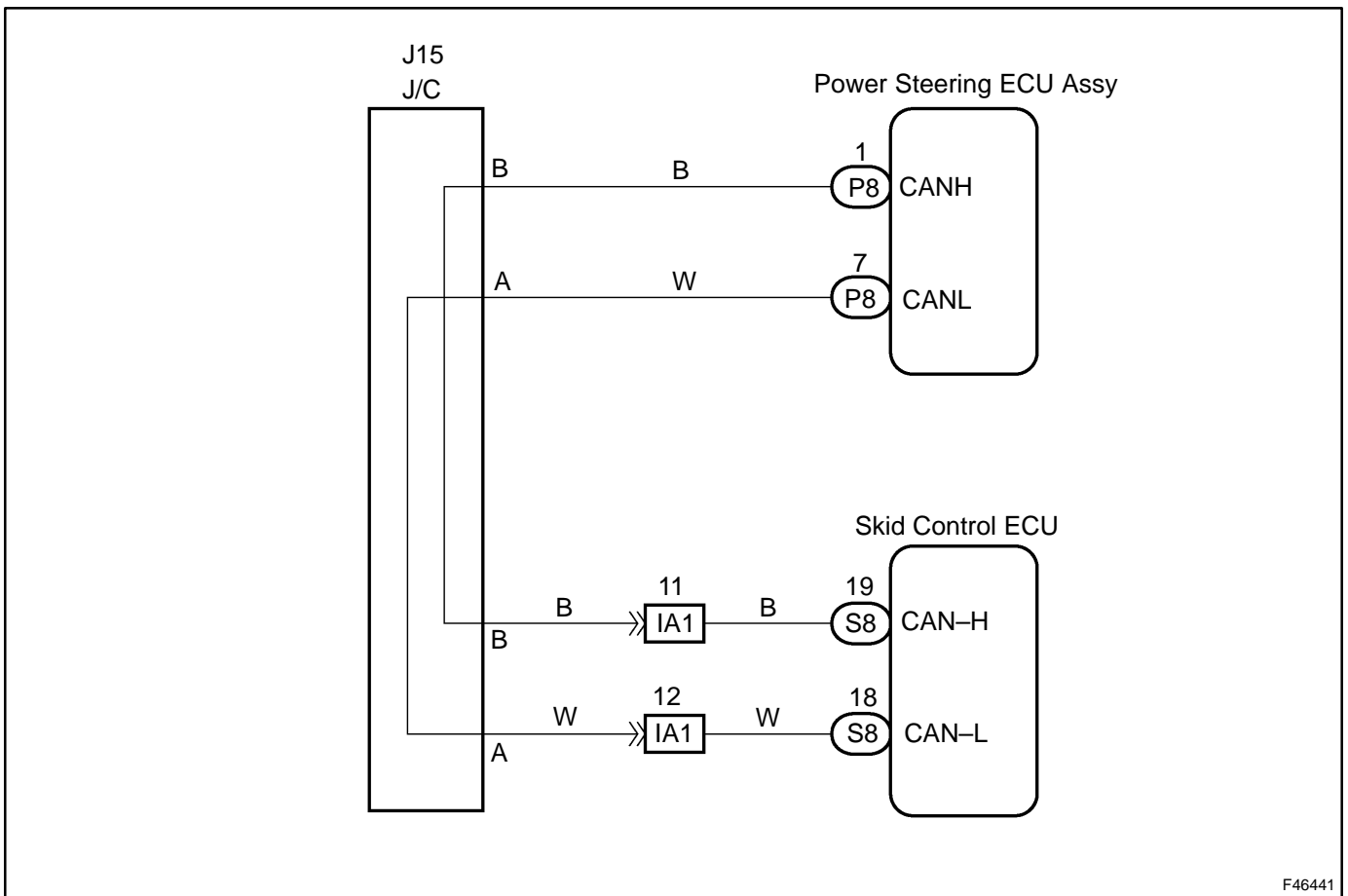
The power steering ECU Assy receives signals from the skid control ECU (ECB ECU) via CAN communication.

DTC No.	DTC Detection Item	Inspection Area
U0073	CAN communication error (CAN bus is off)	CAN communication system
U0121	Skid control ECU communication error	<ul style="list-style-type: none"> <li>• CAN communication system</li> <li>• Skid control ECU (when only U0121 is output)</li> </ul>

**HINT:**

When two or more DTCs starting with "U" are output simultaneously, inspect the connectors and wire harness of each ECU.

**WIRING DIAGRAM**



F46441

**INSPECTION PROCEDURE**

<b>1</b>	<b>CHECK DTC (SEE PAGE <a href="#">05-1220</a>)</b>
----------	---

(a) Using the intelligent tester II, check for DTCs.



<b>GO TO CAN COMMUNICATION SYSTEM TROUBLESHOOTING (SEE PAGE <a href="#">05-2602</a>)</b>
--