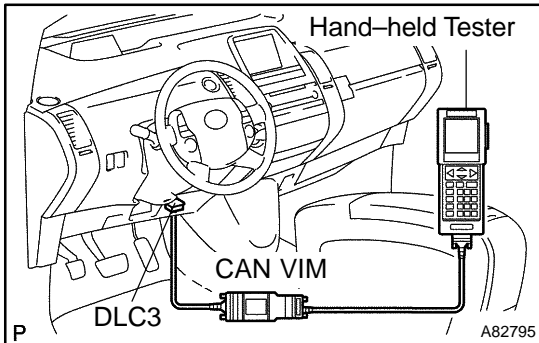


DTC CHECK/CLEAR



1. CHECK DTC

- (a) Connect the hand-held tester to the Controller Area Network Vehicle Interface Module (CAN VIM). Then connect the CAN VIM to the DLC3.
- (b) Turn the power switch ON (IG).
- (c) Read the DTCs by following the directions on the tester screen.

HINT:

Refer to the hand-held tester operator's manual for further details.

2. CLEAR DTC

- (a) Connect the hand-held tester (with CAN VIM) to the DLC3.
- (b) Turn the power switch ON (IG).
- (c) Erase the DTCs by following the directions on the tester screen.

HINT:

Refer to the hand-held tester operator's manual for further details.