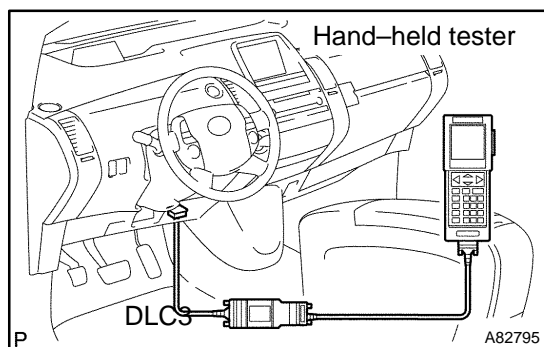


## CHECK FOR INTERMITTENT PROBLEMS

### 1. CHECK FOR INTERMITTENT PROBLEMS

#### HINT:

A momentary interruption (open circuit) in the connectors and/or wire harness between the sensors and ECUs can be detected in the ECU data monitor function of the hand-held tester.



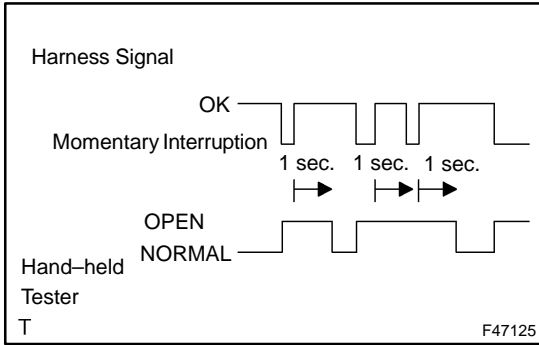
- (a) Turn the power switch off and connect the hand-held tester to the DLC3.
- (b) Turn the ignition switch on. Follow the on-screen directions on the hand-held tester to display the DATA LIST and select areas where momentary interruption should be monitored.

#### HINT:

A momentary interruption (open circuit) cannot be detected for 3 seconds after the ignition switch is turned on (initial check).

Item	Measurement Item / Range (Display)	Normal Condition	Diagnostic Note
SPD SEN FR	FR speed sensor open detection / OPEN or NORMAL	NORMAL : Normal condition	–
SPD SEN FL	FL speed sensor open detection / OPEN or NORMAL	NORMAL : Normal condition	–
SPD SEN RR	RR speed sensor open detection / OPEN or NORMAL	NORMAL : Normal condition	–
SPD SEN RL	RL speed sensor open detection / OPEN or NORMAL	NORMAL : Normal condition	–
TAWRATE SEN	Yaw rate sensor open detection	NORMAL : Normal condition	–
DECELE SEN	G sensor open detection	NORMAL : Normal condition	–
STEERING SEN	Steering sensor open detection	NORMAL : Normal condition	–
M/C SEN 1	Master Cylinder pressure sensor 1 open detection	NORMAL : Normal condition	–
M/C SEN 2	Master Cylinder pressure sensor 1 open detection	NORMAL : Normal condition	–
STROKE SEN 1	Pedal stroke 1 open	NORMAL : Normal condition	–
FR W/C SEN	FR Wheel cylinder open	NORMAL : Normal condition	–
FL W/C SEN	FR Wheel cylinder open	NORMAL : Normal condition	–
RR W/C SEN	FR Wheel cylinder open	NORMAL : Normal condition	–
RL W/C SEN	FR Wheel cylinder open	NORMAL : Normal condition	–

Item	Measurement Item / Range (Display)	Normal Condition	Diagnostic Note
HV COM	HV communication open detection	NORMAL : Normal condition	-
ACC SEN	Accumulator pressure sensor open detection	NORMAL : Normal condition	-



HINT:

- If the status remains on, check the continuity between the ECU and the sensors, or between ECUs.
- The OPEN display on the hand-held tester remains on for 1 second after the harness signal changes from momentary interruption (open circuit) to normal condition.

- (c) While observing the screen, gently jiggle the connector or wire harness between the ECU and sensors, or between ECUs.

**Result: Open-screen display does not change.**

HINT:

- The connector and/or wire harness will be in momentary interruption (open circuit) if the chart fluctuates. Repair or replace connector and/or wire harness as one of them is faulty.

