

DTC	B1907/74	SHORT IN P/T SQUIB (P SEAT SIDE) CIRCUIT (TO GROUND)
------------	-----------------	---

CIRCUIT DESCRIPTION

The P/T squib (P seat side) circuit consists of the airbag ECU assy and the front seat outer belt assy RH. This circuit instructs the SRS to deploy when deployment conditions are met.

DTC B1907 is recorded when a short to ground is detected in the P/T squib (P seat side) circuit.

DTC No.	DTC Detecting Condition	Trouble Area
B1907	<ul style="list-style-type: none"> • When the airbag ECU assy receives a short to ground signal in the P/T squib (P seat side) circuit for 0.5 seconds. • P/T squib (P seat side) malfunction • Airbag ECU assy malfunction 	<ul style="list-style-type: none"> • Floor wire No.2 • Front seat outer belt assy RH (P/T squib (P seat side)) • Airbag ECU assy

WIRING DIAGRAM

See page [05-1629](#).

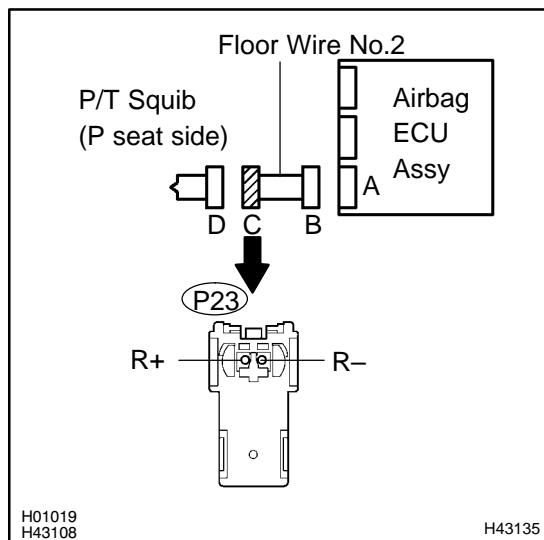
INSPECTION PROCEDURE

CAUTION:

Be sure to perform the following procedures before troubleshooting to avoid unexpected airbag deployment.

- (a) Turn the power switch off.
- (b) Disconnect the negative (-) terminal cable from the battery, and wait for at least 90 seconds.
- (c) Disconnect the connectors from the airbag ECU assy.
- (d) Disconnect the connectors from the horn button assy.
- (e) Disconnect the connectors from the front passenger airbag assy.
- (f) Disconnect the connector from the front seat airbag assy LH.
- (g) Disconnect the connector from the front seat airbag assy RH.
- (h) Disconnect the connector from the curtain shield airbag assy LH.
- (i) Disconnect the connector from the curtain shield airbag assy RH.
- (j) Disconnect the connector from the front seat outer belt assy LH.
- (k) Disconnect the connector from the front seat outer belt assy RH.

1 CHECK FLOOR WIRE NO.2(P/T SQUIB (P SEAT SIDE) CIRCUIT)



- (a) Measure the resistance according to the value(s) in the table below.

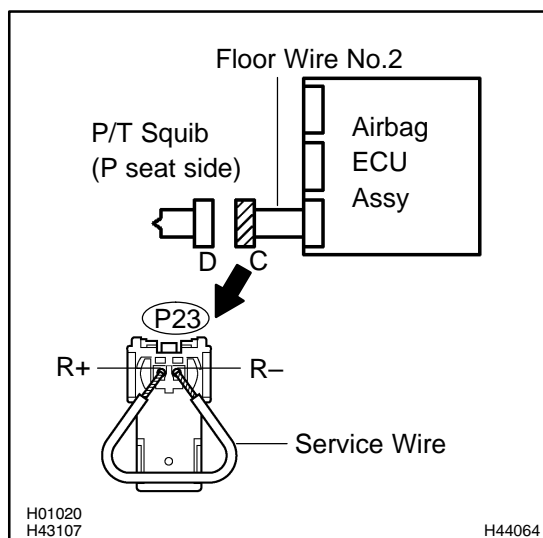
Standard:

Tester connection	Condition	Specified condition
P23-1 (R+) - Body ground	Always	1 MΩ or Higher
P23-2 (R-) - Body ground	Always	1 MΩ or Higher

NG REPAIR OR REPLACE FLOOR WIRE NO.2

OK

2 CHECK AIR BAG ECU ASSY



- (a) Connect the connector to the airbag ECU Assy.
- (b) Using a service wire, connect P23-1 (R+) and P23-2 (R-) of connector "C".

NOTICE:

- **Twist the end of the service wire in order to insert it into the connector.**
 - **Do not forcibly insert the twisted service wire into the terminals of the connector when connecting.**
- (c) Connect the negative (-) terminal cable to the battery, and wait for at least 2 seconds.
 - (d) Turn the power switch on (IG), and wait for at least 60 seconds.
 - (e) Clear the DTCs stored in memory (see page 05-1402).
 - (f) Turn the power switch off.
 - (g) Turn the power switch on (IG), and wait for at least 60 seconds.
 - (h) Check the DTCs (see page 05-1402).

OK:

DTC B1907 is not output.

HINT:

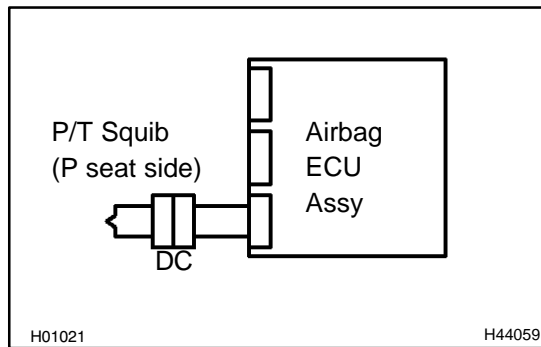
Codes other than code B1907 may be output at this time, but they are not related to this check.

NG

**REPLACE AIR BAG ECU ASSY
(SEE PAGE 60-54)**

OK

3 CHECK FRONT SEAT OUTER BELT ASSY RH(P/T SQUIB (P SEAT SIDE))



- (a) Turn the power switch off.
- (b) Disconnect the negative (-) terminal cable from the battery, and wait for at least 90 seconds.
- (c) Disconnect the service wire from connector "C".
- (d) Connect the connector to the front seat outer belt assy RH.
- (e) Connect the negative (-) terminal cable to the battery, and wait for at least 2 seconds.
- (f) Turn the power switch on (IG), and wait for at least 60 seconds.
- (g) Clear the DTCs stored in memory (see page 05-1402).
- (h) Turn the power switch off.
- (i) Turn the power switch on (IG), and wait for at least 60 seconds.
- (j) Check the DTCs (see page 05-1402).

OK:

DTC B1907 is not output.

HINT:

Codes other than code B1907 may be output at this time, but they are not related to this check.

NG

**FRONT SEAT OUTER BELT ASSY RH
(SEE PAGE 61-9)**

OK

USE SIMULATION METHOD TO CHECK (SEE PAGE 05-1397)

HINT:

- Perform the simulation method by selecting the check mode with the hand-held tester (see page 05-1405).
- After selecting the check mode, perform the simulation method by wiggling each connector of the airbag system or driving the vehicle on a city or rough road (see page 05-1405).