

| | | |
|------------|-----------------|---|
| DTC | B1826/56 | OPEN IN SIDE SQUIB (P SEAT SIDE) CIRCUIT |
|------------|-----------------|---|

CIRCUIT DESCRIPTION

The side squib (P seat side) circuit consists of the airbag ECU Assy and the front seat w/ adjuster frame Assy RH (side squib (P seat side)).

The circuit instructs the SRS to deploy when deployment conditions are met.

DTC B1826 is recorded when an open circuit is detected in the side squib (P seat side) circuit.

| DTC No. | DTC Detecting Condition | Trouble Area |
|---------|--|--|
| B1826 | <ul style="list-style-type: none"> • When the airbag ECU Assy receives an open signal in the side squib (P seat side) circuit for 2 seconds. • Side squib (P seat side) malfunction • Airbag ECU Assy malfunction | <ul style="list-style-type: none"> • Floor wire No.2 • Seat airbag No.2 wire • Front seat w/ adjuster frame Assy RH (Side squib (P seat side)) • Airbag ECU Assy |

WIRING DIAGRAM

See page [05-1561](#).

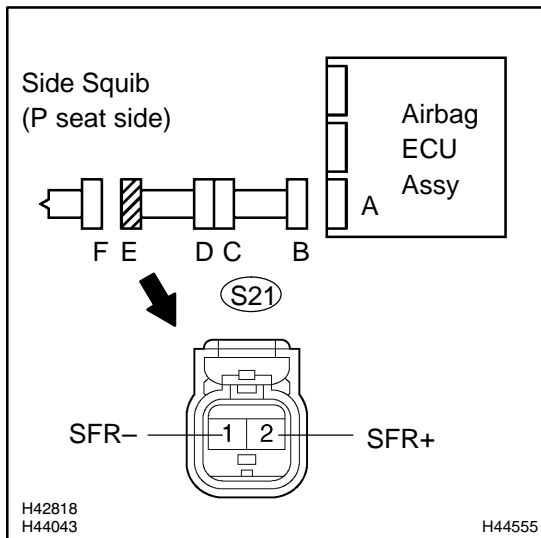
INSPECTION PROCEDURE

CAUTION:

Be sure to perform the following procedures before troubleshooting to avoid unexpected airbag deployment.

- (a) Turn the power switch off.
- (b) Disconnect the negative (-) terminal cable from the battery, and wait for at least 90 seconds.
- (c) Disconnect the connectors from the airbag ECU Assy.
- (d) Disconnect the connectors from the horn button Assy.
- (e) Disconnect the connectors from the front passenger airbag Assy.
- (f) Disconnect the connector from the front seat airbag Assy LH.
- (g) Disconnect the connector from the front seat airbag Assy RH.
- (h) Disconnect the connector from the curtain shield airbag Assy LH.
- (i) Disconnect the connector from the curtain shield airbag Assy RH.
- (j) Disconnect the connector from the front seat outer belt Assy LH.
- (k) Disconnect the connector from the front seat outer belt Assy RH.

1 CHECK SIDE SQUIB (P SEAT SIDE) CIRCUIT



- (a) Measure the resistance according to the value(s) in the table below.

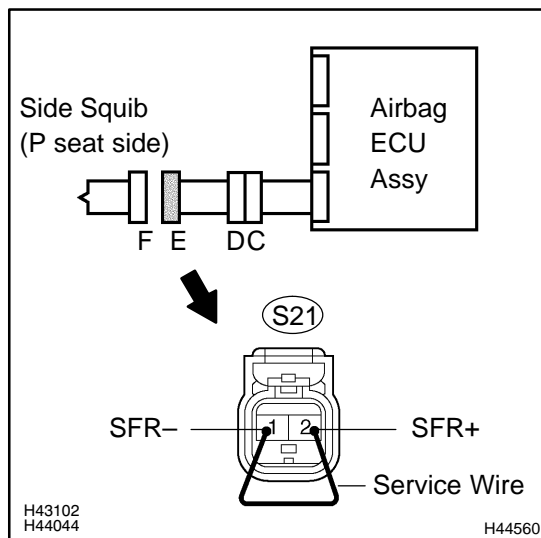
Standard:

| Tester connection | Condition | Specified condition |
|-----------------------------|-----------|---------------------|
| S21-2 (SFR+) - S21-1 (SFR-) | Always | Below 1 Ω |

NG Go to step 4

OK

2 CHECK AIR BAG ECU ASSY



- Connect the connectors to the airbag ECU Assy.
- Using a service wire, connect S21-2 (SFR+) and S21-1 (SFR-) of connector "E".

NOTICE:

Do not forcibly insert a service wire into the terminals of the connector when connecting.

- Connect the negative (-) terminal cable to the battery, and wait for at least 2 seconds.
- Turn the power switch on (IG), and wait for at least 60 seconds.
- Clear the DTCs stored in memory (see page 05-1402).
- Turn the power switch off.
- Turn the power switch on (IG), and wait for at least 60 seconds.
- Check the DTCs (see page 05-1402).

OK:

DTC B1826 is not output.

HINT:

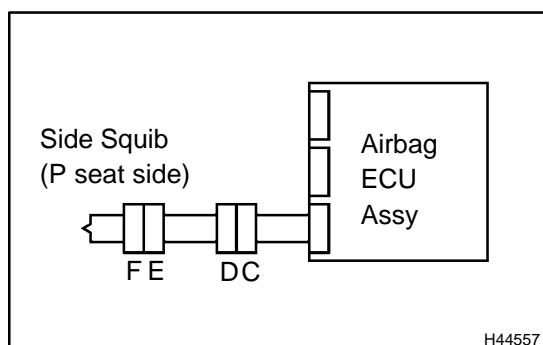
Codes other than code B1826 may be output at this time, but they are not related to this check.

NG

**REPLACE AIR BAG ECU ASSY
(SEE PAGE 60-54)**

OK

3 CHECK FRONT SEAT W/ADJUSTER FRAME ASSY RH(SIDE SQUIB (P SEAT SIDE))



- (a) Turn the power switch off.
- (b) Disconnect the negative (-) terminal cable from the battery, and wait for at least 90 seconds.
- (c) Disconnect the service wire from connector "E".
- (d) Connect the connector to the front seat w/ adjuster frame assy RH (side squib (P seat side)).
- (e) Connect the negative (-) terminal cable to the battery, and wait for at least 2 seconds.
- (f) Turn the power switch on (IG), and wait for at least 60 seconds.
- (g) Clear the DTCs stored in memory (see page 05-1402).
- (h) Turn the power switch off.
- (i) Turn the power switch on (IG), and wait for at least 60 seconds.
- (j) Check the DTCs (see page 05-1402).

OK:

DTC B1826 is not output.

HINT:

Codes other than code B1826 may be output at this time, but they are not related to this check.

NG

REPLACE FRONT SEAT W/ADJUSTER FRAME ASSY RH (SEE PAGE 72-2)

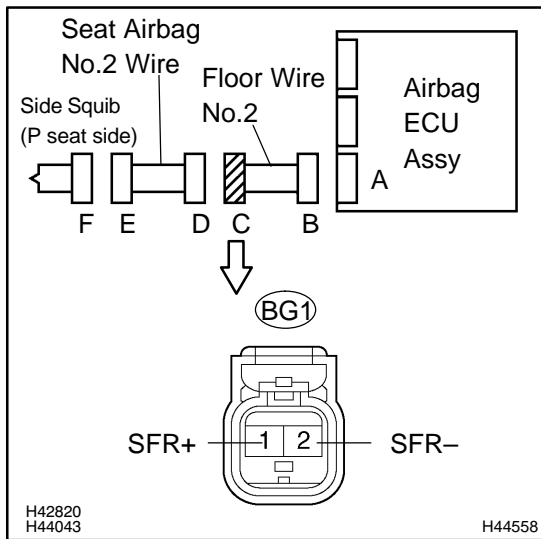
OK

USE SIMULATION METHOD TO CHECK (SEE PAGE 05-1397)

HINT:

- Perform the simulation method by selecting the check mode with the hand-held tester (see page 05-1405).
- After selecting the check mode, perform the simulation method by wiggling each connector of the airbag system or driving the vehicle on a city or rough road (see page 05-1405).

4 CHECK FLOOR WIRE NO.2



- (a) Disconnect the floor wire No.2 connector from the seat airbag No.2 wire.
- (b) Measure the resistance according to the value(s) in the table below.

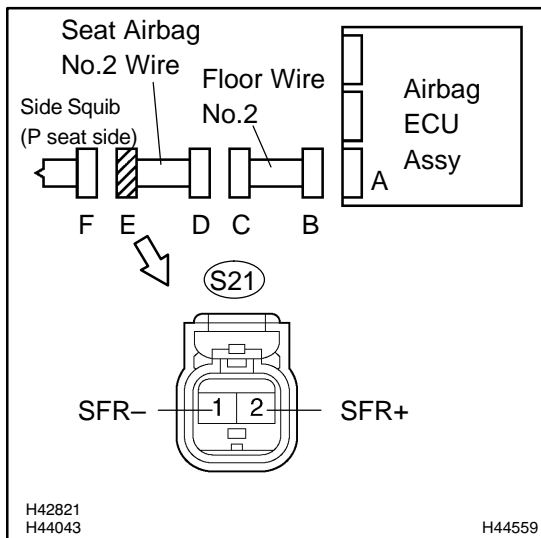
Standard:

| Tester connection | Condition | Specified condition |
|-----------------------------|-----------|---------------------|
| BG1-1 (SFR+) - BG1-2 (SFR-) | Always | Below 1 Ω |

NG REPAIR OR REPLACE FLOOR WIRE NO.2

OK

5 CHECK SEAT AIRBAG NO.2 WIRE



- (a) Measure the resistance according to the value(s) in the table below.

Standard:

| Tester connection | Condition | Specified condition |
|-----------------------------|-----------|---------------------|
| S21-2 (SFR+) - S21-1 (SFR-) | Always | Below 1 Ω |

NG REPAIR OR REPLACE SEAT AIRBAG NO.2 WIRE

OK

USE SIMULATION METHOD TO CHECK (SEE PAGE 05-1397)

HINT:

- Perform the simulation method by selecting the check mode with the hand-held tester (see page 05-1405).
- After selecting the check mode, perform the simulation method by wiggling each connector of the airbag system or driving the vehicle on a city or rough road (see page 05-1405).