

DTC	B1625/22	SIDE AIRBAG SENSOR ASSEMBLY (P SEAT SIDE) MALFUNCTION
------------	-----------------	--

CIRCUIT DESCRIPTION

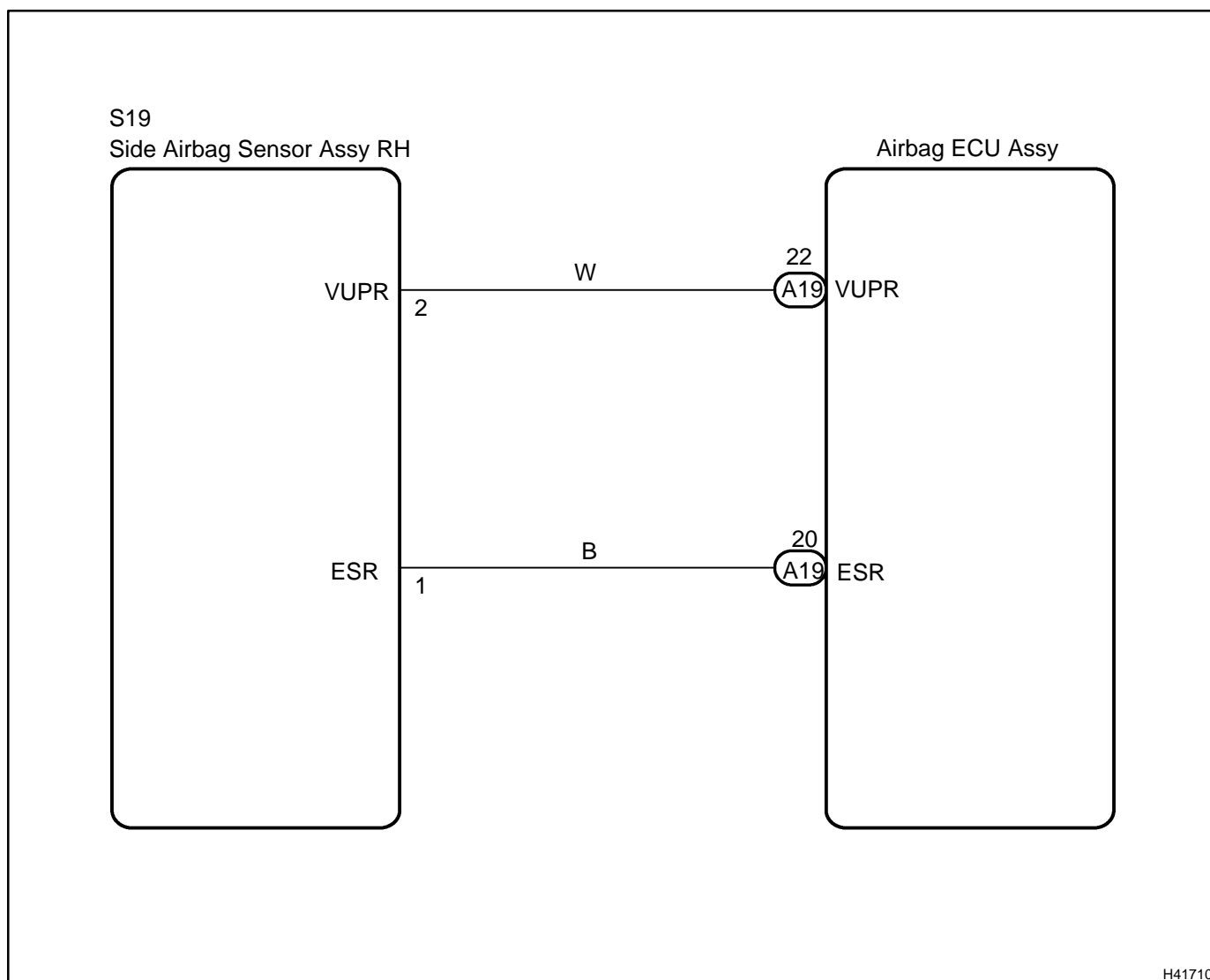
The side airbag sensor assembly (P seat side) consists of the safing sensor, the diagnostic circuit, the lateral deceleration sensor, etc.

If the airbag ECU Assy receives signals from the lateral deceleration sensor, it determines whether or not the SRS should be activated.

DTC B1625 is recorded when a malfunction is detected in the side airbag sensor assembly (P seat side) circuit.

DTC No.	DTC Detecting Condition	Trouble Area
B1625	<ul style="list-style-type: none"> • When the airbag ECU Assy receives a line short signal, open signal, short to ground signal or B+ short signal in the side airbag sensor assembly (P seat side) circuit for 2 seconds. • Side airbag sensor Assy RH malfunction • Airbag ECU Assy malfunction 	<ul style="list-style-type: none"> • Floor wire • Side airbag sensor Assy RH • Airbag ECU Assy

WIRING DIAGRAM



H41710

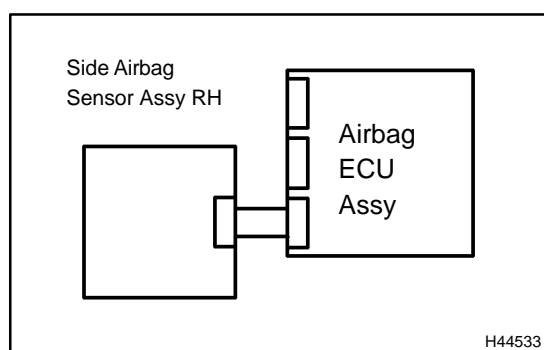
INSPECTION PROCEDURE

CAUTION:

Be sure to perform the following procedures before troubleshooting to avoid unexpected airbag deployment.

- (a) Turn the power switch off.
- (b) Disconnect the negative (–) terminal cable from the battery, and wait for at least 90 seconds.
- (c) Disconnect the connectors from the airbag ECU Assy.
- (d) Disconnect the connectors from the horn button Assy.
- (e) Disconnect the connectors from the front passenger airbag Assy.
- (f) Disconnect the connector from the front seat airbag Assy LH.
- (g) Disconnect the connector from the front seat airbag Assy RH.
- (h) Disconnect the connector from the curtain shield airbag Assy LH.
- (i) Disconnect the connector from the curtain shield airbag Assy RH.
- (j) Disconnect the connector from the front seat outer belt Assy LH.
- (k) Disconnect the connector from the front seat outer belt Assy RH.

1 CHECK DTC



- (a) Connect the connectors to the airbag ECU Assy.
- (b) Connect the negative (–) terminal cable to the battery, and wait for at least 2 seconds.
- (c) Turn the power switch on (IG), and wait for at least 60 seconds.
- (d) Clear the DTCs stored in memory (see page 05-1402).
- (e) Turn the power switch off.
- (f) Turn the power switch on (IG), and wait for at least 60 seconds.
- (g) Check the DTCs (see page 05-1402).

OK:

DTC B1625 is not output.

HINT:

Codes other than code B1625 may be output at this time, but they are not related to this check.

NG

Go to step 2

OK

USE SIMULATION METHOD TO CHECK (SEE PAGE 05-1397)

2 CHECK CONNECTION OF CONNECTORS

- (a) Turn the power switch off.
- (b) Disconnect the negative (-) terminal cable from the battery, and wait for at least 90 seconds.
- (c) Check that the connectors are properly connected to the airbag ECU Assy and the side airbag sensor Assy RH.

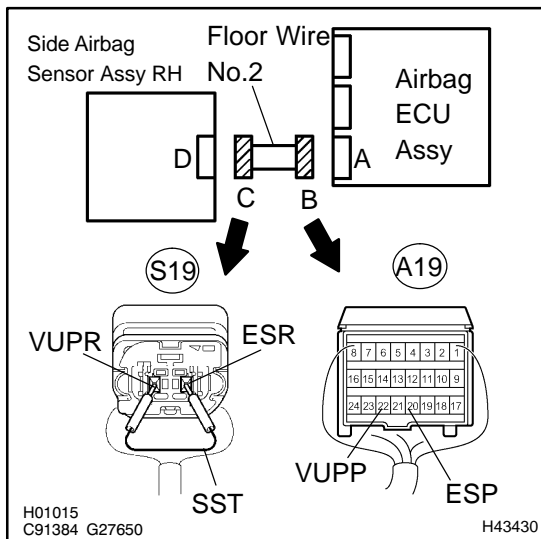
OK:

The connectors are connected.

NG → **CONNECT CONNECTORS, THEN GO TO STEP 1**

OK

3 CHECK FLOOR WIRE NO.2(OPEN)



- (a) Disconnect the connectors from the airbag ECU Assy and the side airbag sensor Assy RH.
- (b) Using SST, connect S19-2 (VUPR) and S19-1 (ESR) of connector "C".
SST 09843-18040
- (c) Measure the resistance according to the value(s) in the table below.

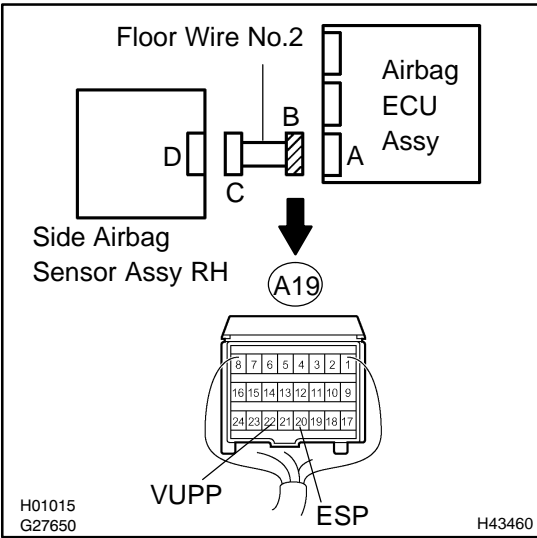
Standard:

Tester connection	Condition	Specified condition
A19-22 (VUPP) - A19-20 (ESP)	Always	Below 1 Ω

NG → **REPAIR OR REPLACE FLOOR WIRE NO.2**

OK

4 CHECK FLOOR WIRE NO.2(SHORT)



- (a) Disconnect the SST from connector "C".
- (b) Measure the resistance according to the value(s) in the table below.

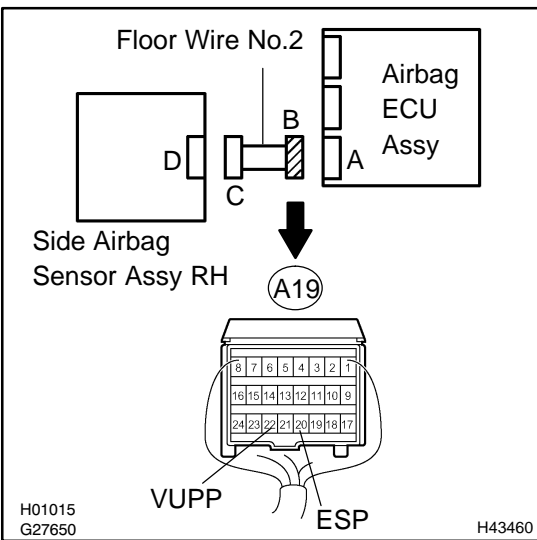
Standard:

Tester connection	Condition	Specified condition
A19-22 (VUPP) - A19-20 (ESP)	Always	1 MΩ or Higher

NG REPAIR OR REPLACE FLOOR WIRE NO.2

OK

5 CHECK FLOOR WIRE NO.2(TO B+)



- (a) Connect the negative (-) terminal cable to the battery, and wait for at least 2 seconds.
- (b) Turn the power switch on (IG).
- (c) Measure the voltage according to the value(s) in the table below.

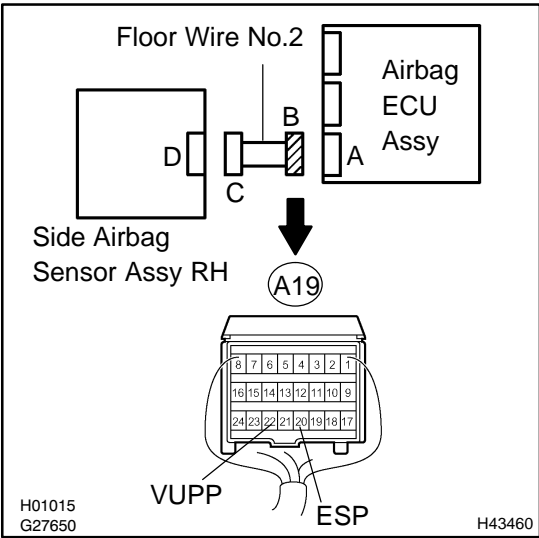
Standard:

Tester connection	Condition	Specified condition
A19-22 (VUPP) - Body ground	Power switch is on (IG)	Below 1 V
A19-20 (ESP) - Body ground	Power switch is on (IG)	Below 1 V

NG REPAIR OR REPLACE FLOOR WIRE NO.2

OK

6 CHECK FLOOR WIRE NO.2(TO GROUND)



- (a) Turn the power switch off.
- (b) Disconnect the negative (-) terminal cable from the battery, and wait for at least 90 seconds.
- (c) Measure the resistance according to the value(s) in the table below.

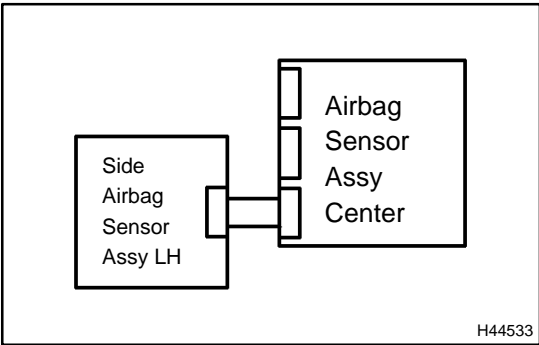
Standard:

Tester connection	Condition	Specified condition
A19-22 (VUPP) - Body ground	Always	1 MΩ or Higher
A19-20 (ESP) - Body ground	Always	1 MΩ or Higher

NG REPAIR OR REPLACE FLOOR WIRE NO.2

OK

7 CHECK SIDE AIR BAG SENSOR ASSY RH



- (a) Connect the connectors to the airbag ECU assy.
- (b) Interchange the side airbag sensor assy LH with RH and connect the connectors to them.
- (c) Connect the negative (-) terminal cable to the battery, and wait for at least 2 seconds.
- (d) Turn the power switch on (IG), and wait for at least 60 seconds.
- (e) Clear the DTCs stored in memory (see page 05-1402).
- (f) Turn the power switch off.
- (g) Turn the power switch on (IG), and wait for at least 60 seconds.
- (h) Check the DTCs (see page 05-1402).

Result:

DTC B1625 is output.	A
DTC B1620 is output.	B
DTC B1620 or B1625 are not output.	C

A REPLACE AIR BAG ECU ASSY (SEE PAGE 60-54)

B REPLACE SIDE AIR BAG SENSOR ASSY RH (SEE PAGE 60-58)

C

USE SIMULATION METHOD TO CHECK (SEE PAGE 05-1397)