

**BRAKE****DESCRIPTION****1. General**

The '04 Prius has a brake system with the following specifications:

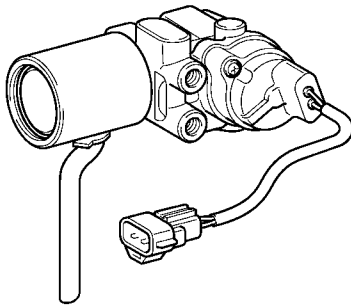
| Model   |                              | '04 Prius             | '03 Prius |
|---|------------------------------|-----------------------|-----------|
| Front Brake   | Type                         | Ventilated Disk       | ←         |
|   | Rotor Size                   | For 14 in. wheel      | ←         |
| Rear Brake  | Type                         | Leading Trailing Drum | ←         |
|   | Drum Inner Diameter mm (in.) | 200 (7.87)            | ←         |
| Regenerative Brake Cooperative Control & ABS with EBD & Brake Assist                |                              | Standard              | —         |
| Regenerative Brake Cooperative Control & ABS with EBD & Brake Assist & Enhanced VSC |                              | Option                | —         |
| Regenerative Brake Cooperative Control & ABS with EBD                               |                              | —                     | Standard  |
| Parking Brake Lever Type  |                              | Pedal                 | ←         |

**► Specifications ◀**

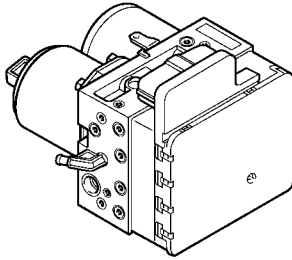
| Model            |                                  | '04 Prius               | '03 Prius    |
|------------------|----------------------------------|-------------------------|--------------|
| Master Cylinder  | Type                             | Single                  | ←            |
|                  | Diameter mm (in.)                | 19.05 (0.75)            | 22.22 (0.78) |
| Brake Booster    | Type                             | —                       | Hydraulic    |
| Front Disk Brake | Caliper Type                     | PE54C                   | PE54C        |
|                  | Wheel Cylinder Diameter mm (in.) | 54.0 (2.13)             | ←            |
|                  | Rotor Size (D × T) mm (in.)      | 255 × 22 (10.04 × 0.87) | ←            |
|                  | Pad Material                     | PS558H-FF               | PN540H-FG    |
| Rear Drum Brake  | Wheel Cylinder Diameter mm (in.) | 19.05 (0.75)            | 20.64 (0.81) |
|                  | Drum Inner Diameter mm (in.)     | 200 (7.87)              | ←            |
|                  | Lining Material                  | LN521-FF                | LA509-EE     |
| Parking Brake    | Type                             | Leading Trailing Drum   | ←            |
|                  | Drum Inner Diameter mm (in.)     | 200 (7.87)              | ←            |
|                  | Lever Type                       | Pedal                   | ←            |

2. Component of Brake System

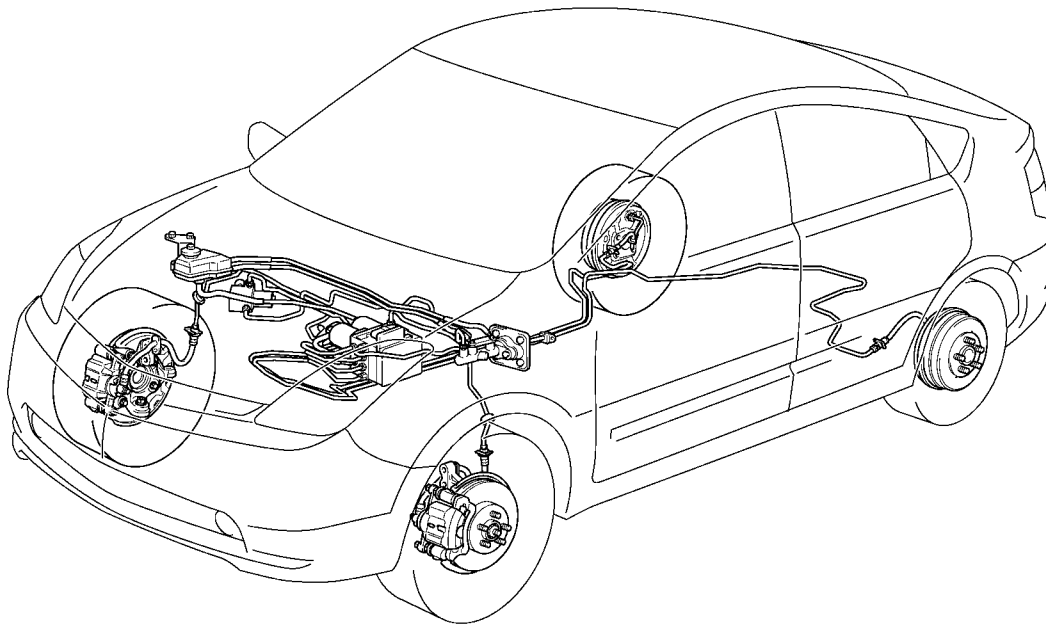
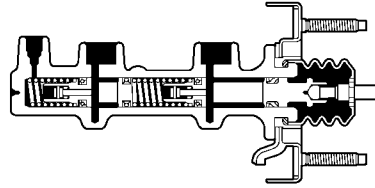
Stroke Simulator



Brake Actuator

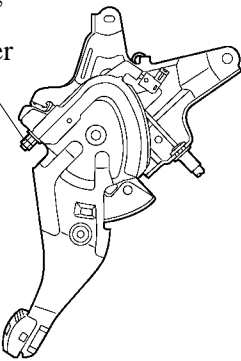


Master Cylinder

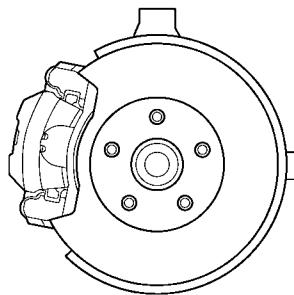


Parking Brake

Parking Brake Adjuster



Front Brake



Rear Brake

