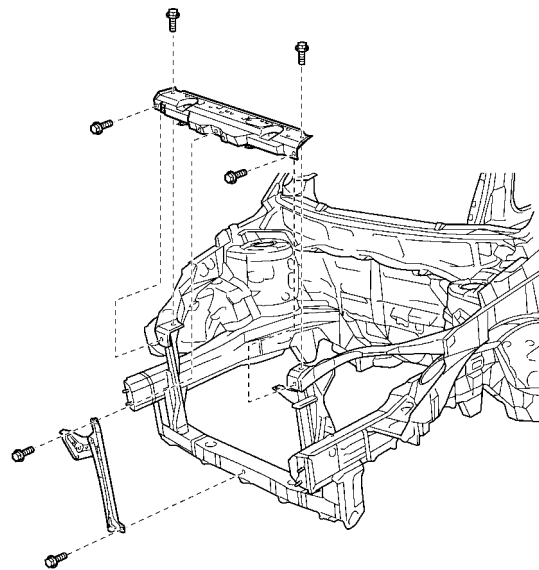


ENHANCEMENT OF PRODUCT APPEAL

■ PARTS WITH LOW REPAIR COSTS

1. Radiator Support

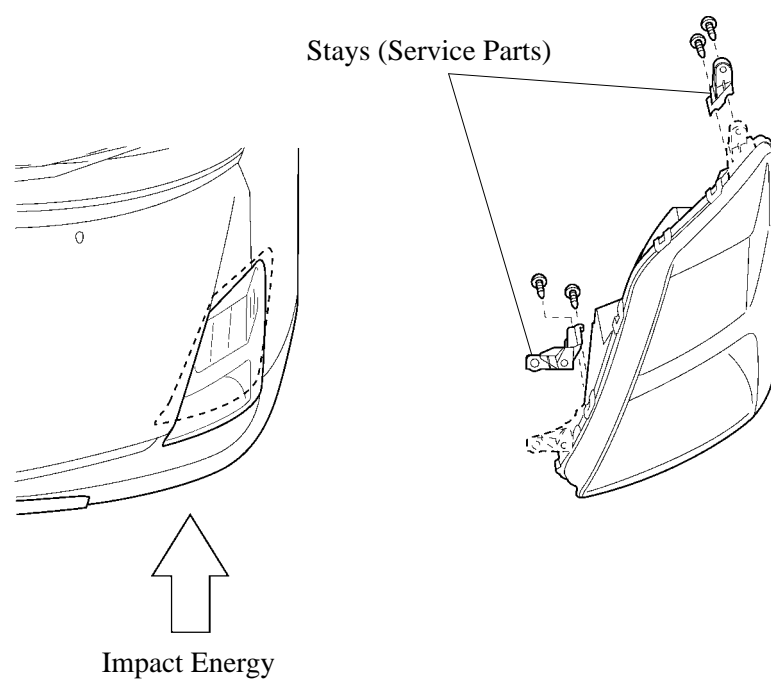
The radiator support and the center brace, which were previously welded, have been changed to the bolt-on type, in order to facilitate repair in case of damage.



255B020

2. Headlight

- Retaining stay for the headlights have been provided separately from the headlights housing to help protect them from severe damage in a minor collision.
- Retaining stays have been made available as service parts. The replacement stay is secured with the screws.
- The headlights housing can be reused replacing the damaged retaining stay with a new one.
- For details on the retaining stay replacement, refer to the 2004 Prius Repair Manual (Pub.No.RM1075U).



255B021