

## ■ AIRBAGS FOR SIDE/REAR SIDE COLLISION

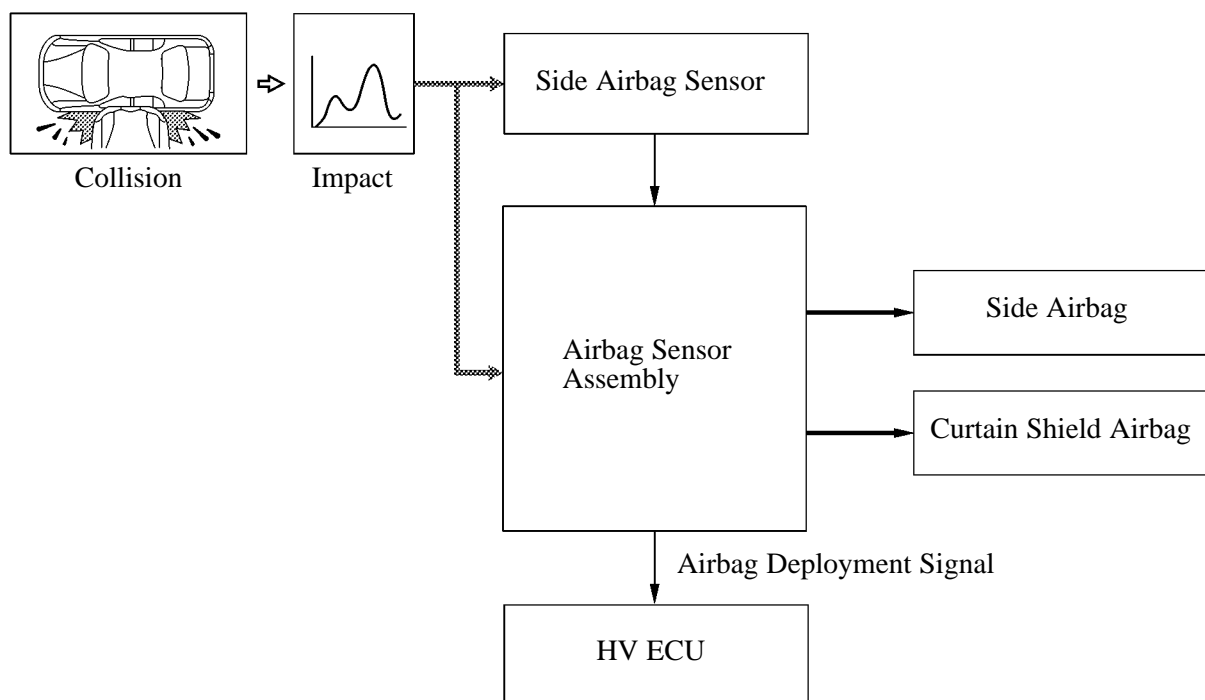
### 1. General

In conjunction with impact absorbing structure for side/rear side collision, the SRS side and curtain shield airbags have been designed to help reduce the impact energy that is transmitted to the driver, front passenger and rear outer passenger in the event of a side collision

### 2. Side Collision

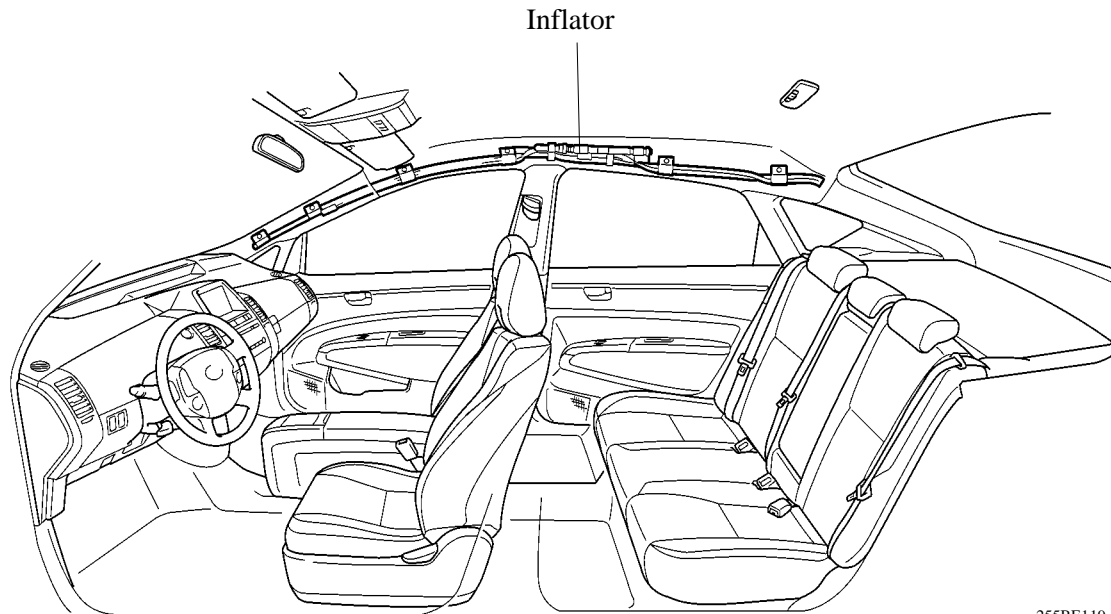
A side collision is detected by the side airbag sensor in order to simultaneously deploy the side and curtain shield airbags.

#### ► System Operation ◀



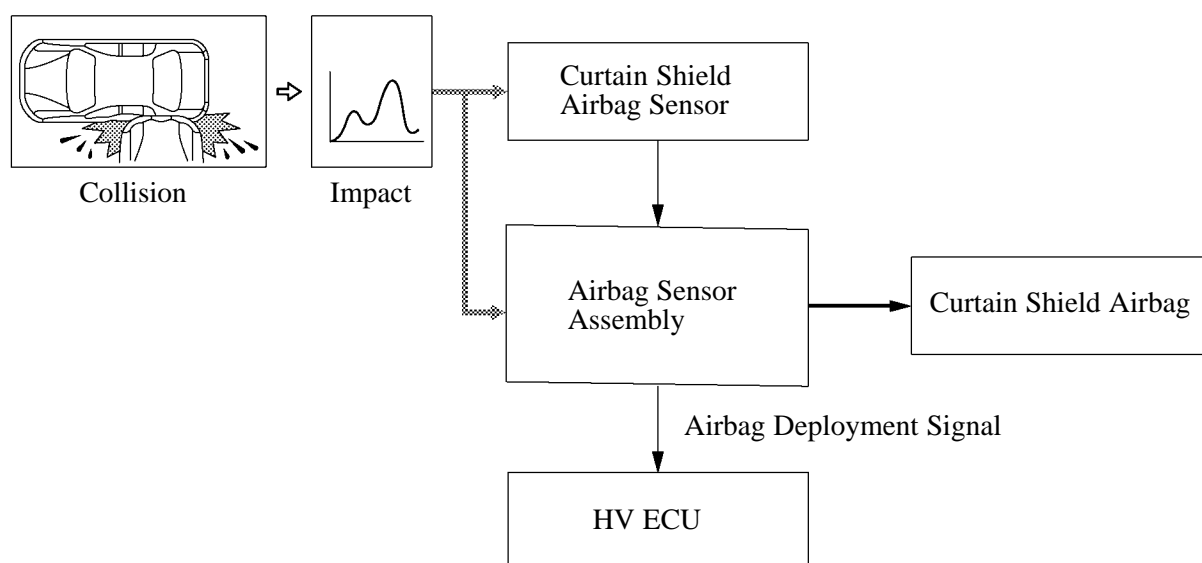
### 3. Rear Side Collision

- A side collision is detected by the curtain shield airbag sensor in order to deploy only the curtain shield airbag.
- In the '04 Prius, the deployment time for the curtain shield airbag has been reduced by locating the inflator above the center pillar.



255BE119

#### ► System Operation ◀



255BE53