

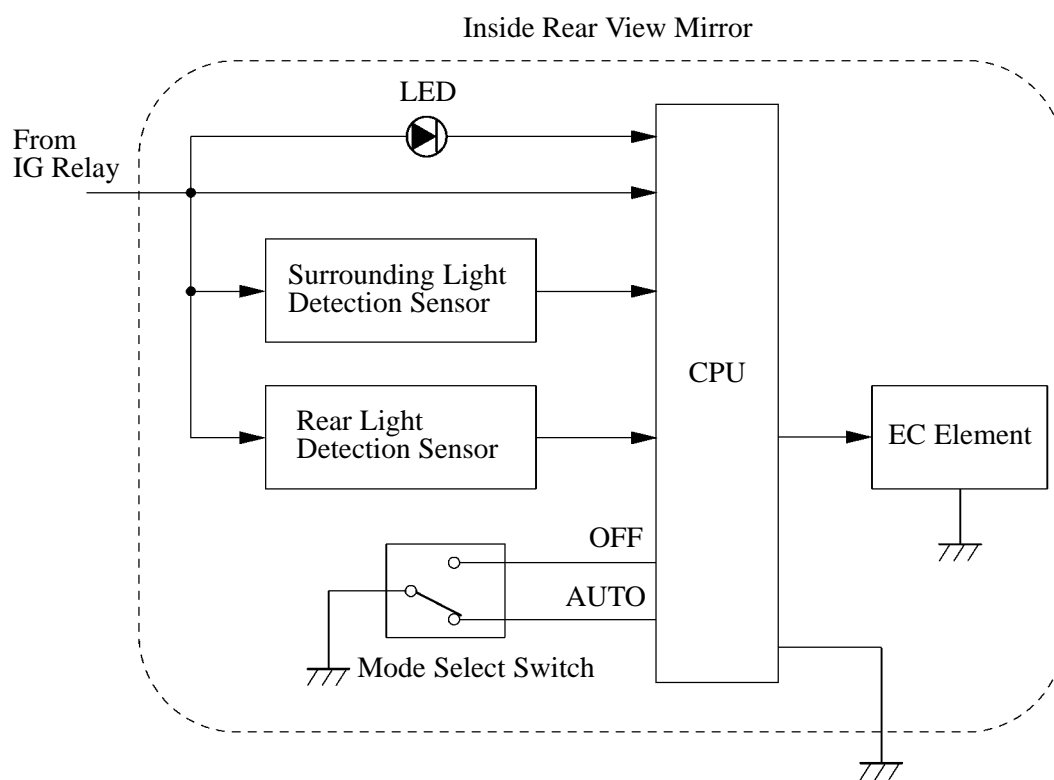
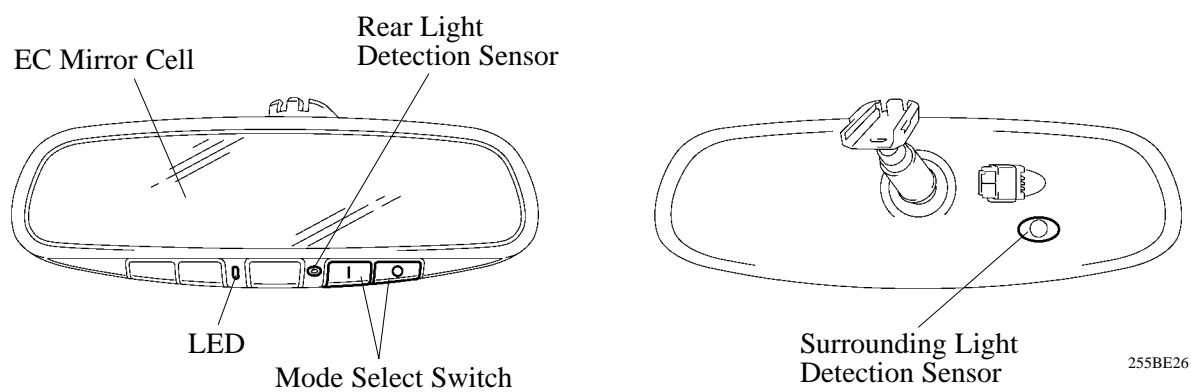
AUTOMATIC GLARE-RESISTANT EC MIRROR

DESCRIPTION

During nighttime driving, if a large difference in intensity exists between the surrounding light and the light entering the inside rear view mirror from the headlights behind, automatic glare-resistant EC (Electrochromic) mirror automatically reduce the reflection rate of the inside rear view mirror and thus dampens the glare on the mirror.

- This system is optional equipment on all models.
- This system uses 2 sensors that are attached onto the inside rear view mirror to detect the difference between the intensity of light entering the inside rear view mirror from the rearward.
- When the power switch is turned from OFF to ON, this system always turns on in the AUTO mode.

System Diagram



240BE134