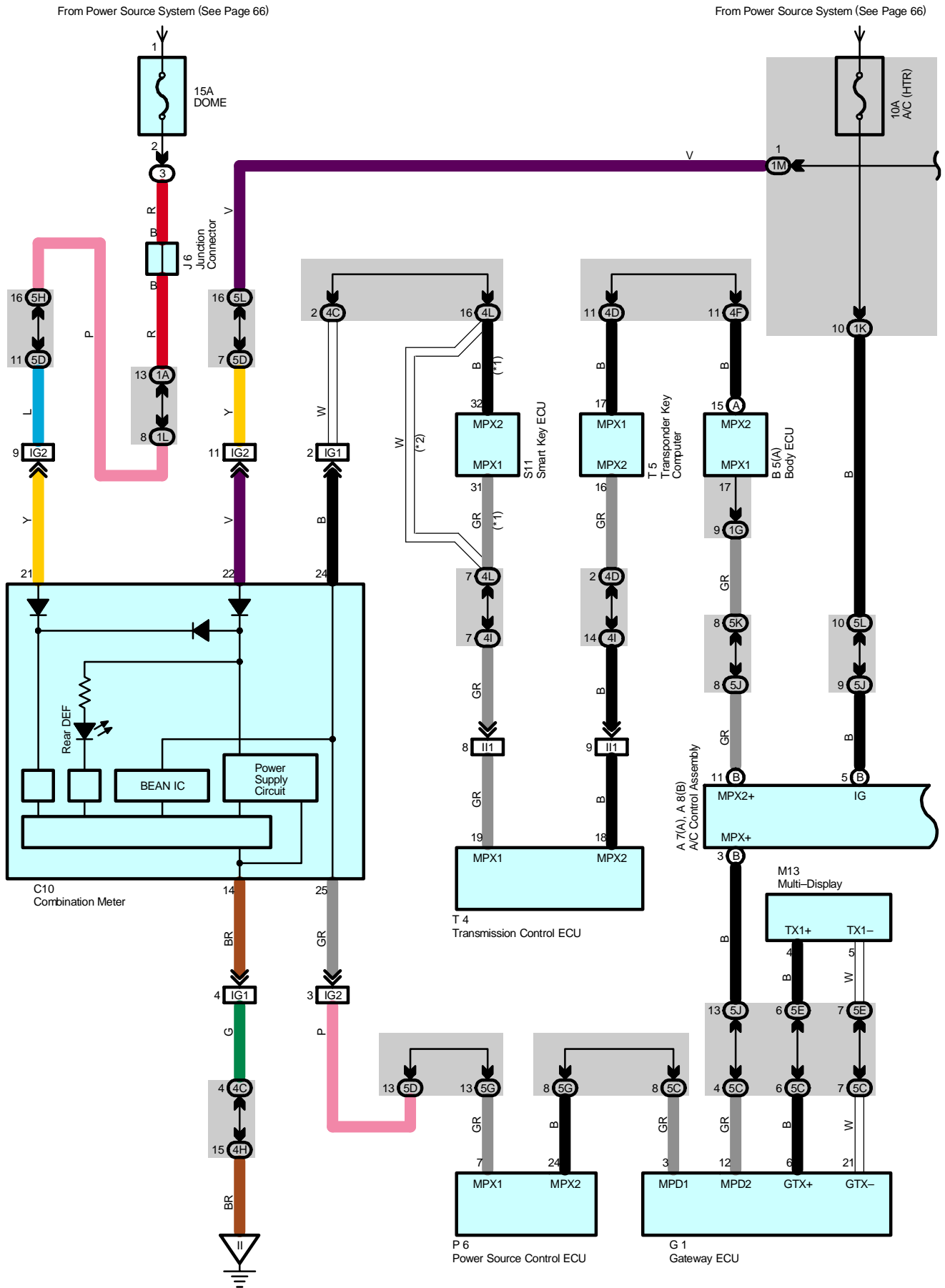
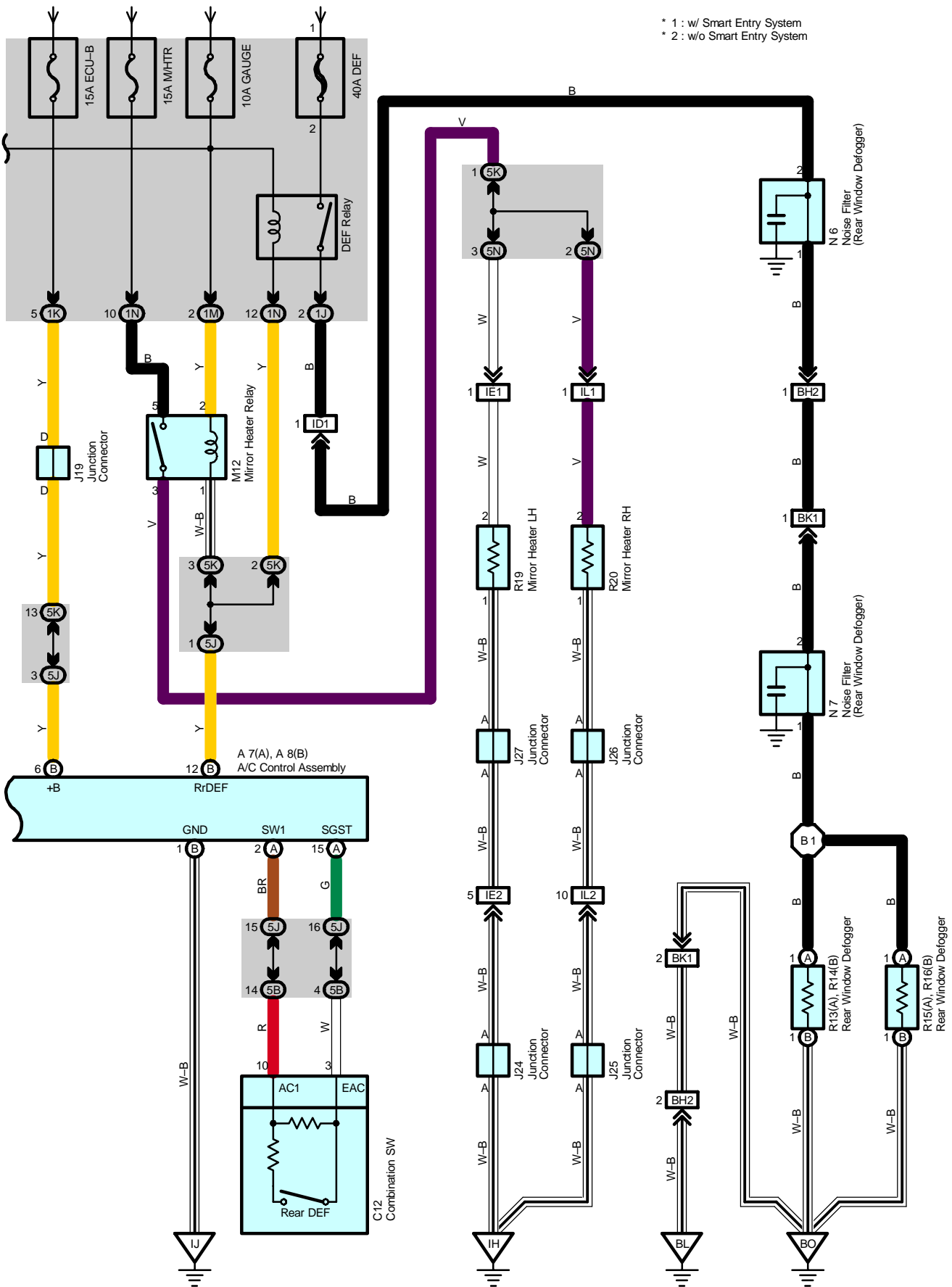


Rear Window Defogger and Mirror Heater



From Power Source System (See Page 66)

* 1 : w/ Smart Entry System
 * 2 : w/o Smart Entry System



Rear Window Defogger and Mirror Heater

System Outline

When power SW is at IG ON position, turning ON rear DEF SW on the steering wheel sends signal to A/C control assembly. Then A/C control assembly flows electricity in TERMINAL Rr DEF, which activates DEF relay and mirror heater relay. As a result, rear DEF SW and mirror heater is turned on.

Turning ON rear DEF SW of multi-display sends signal to A/C control assembly. Then the same action follows as above.

During rear window defogger and mirror heater in operation, signal is input in combination meter, lighting rear DEF indicator in combination meter.

Service Hints

R13 (A), R15 (A) Rear Window Defogger

1-Ground : Approx. 12 volts with the push start SW at IG ON position and rear window defogger SW on

R19, R20 Mirror Heater LH, RH

2-Ground : Approx. 12 volts with the push start SW at IG ON position and rear window defogger SW on

○ : Parts Location

Code	See Page	Code	See Page	Code	See Page
A7	A 46	J25	48	R14	B 52
A8	B 46	J26	51	R15	A 52
B5	A 46	J27	51	R16	B 52
C10	47	M12	48	R19	52
C12	47	M13	48	R20	52
G1	47	N6	52	S11	49
J6	48	N7	52	T4	49
J19	48	P6	49	T5	49
J24	48	R13	A 52		

○ : Relay Blocks

Code	See Page	Relay Blocks (Relay Block Location)
3	22	Engine Room R/B (Engine Compartment Left)

 : **Junction Block and Wire Harness Connector**

Code	See Page	Junction Block and Wire Harness (Connector Location)
1A	28	Engine Room Main Wire and Driver Side J/B (Lower Finish Panel)
1G	28	Instrument Panel Wire and Driver Side J/B (Lower Finish Panel)
1J		
1K		
1L		
1M		
1N		
4C		
4D		
4F		
4H		
4I		
4L		
5B	40	Instrument Panel Wire and Center Connector No.2 (Instrument Panel Brace RH)
5C		
5D		
5E		
5G		
5H		
5J		
5K		
5L		
5N		

 : **Connector Joining Wire Harness and Wire Harness**

Code	See Page	Joining Wire Harness and Wire Harness (Connector Location)
ID1	56	Instrument Panel Wire and Floor Wire (Left Kick Panel)
IE1	56	Front Door LH Wire and Instrument Panel Wire (Left Kick Panel)
IE2		
IG1	58	Instrument Panel Wire and Instrument Panel No.2 Wire (Behind the Combination Meter)
IG2		
II1	58	Engine Wire and Instrument Panel Wire (Behind the Glove Box)
IL1	58	Front Door RH Wire and Instrument Panel Wire (Right Kick Panel)
IL2		
BH2	62	Back Door No.1 Wire and Floor Wire (Rear Side of Roof Panel)
BK1	62	Back Door No.1 Wire and Back Door No.2 Wire (Rear Side of Roof Panel)

 : **Ground Points**

Code	See Page	Ground Points Location
IH	56	Cowl Side Panel LH
II	56	Instrument Panel Brace LH
IJ	56	Instrument Panel Brace RH
BL	60	Rear Side of Left Quarter Panel
BO	60	Center of the Back Door Panel

 : **Splice Points**

Code	See Page	Wire Harness with Splice Points	Code	See Page	Wire Harness with Splice Points
B1	62	Back Door No.2 Wire			