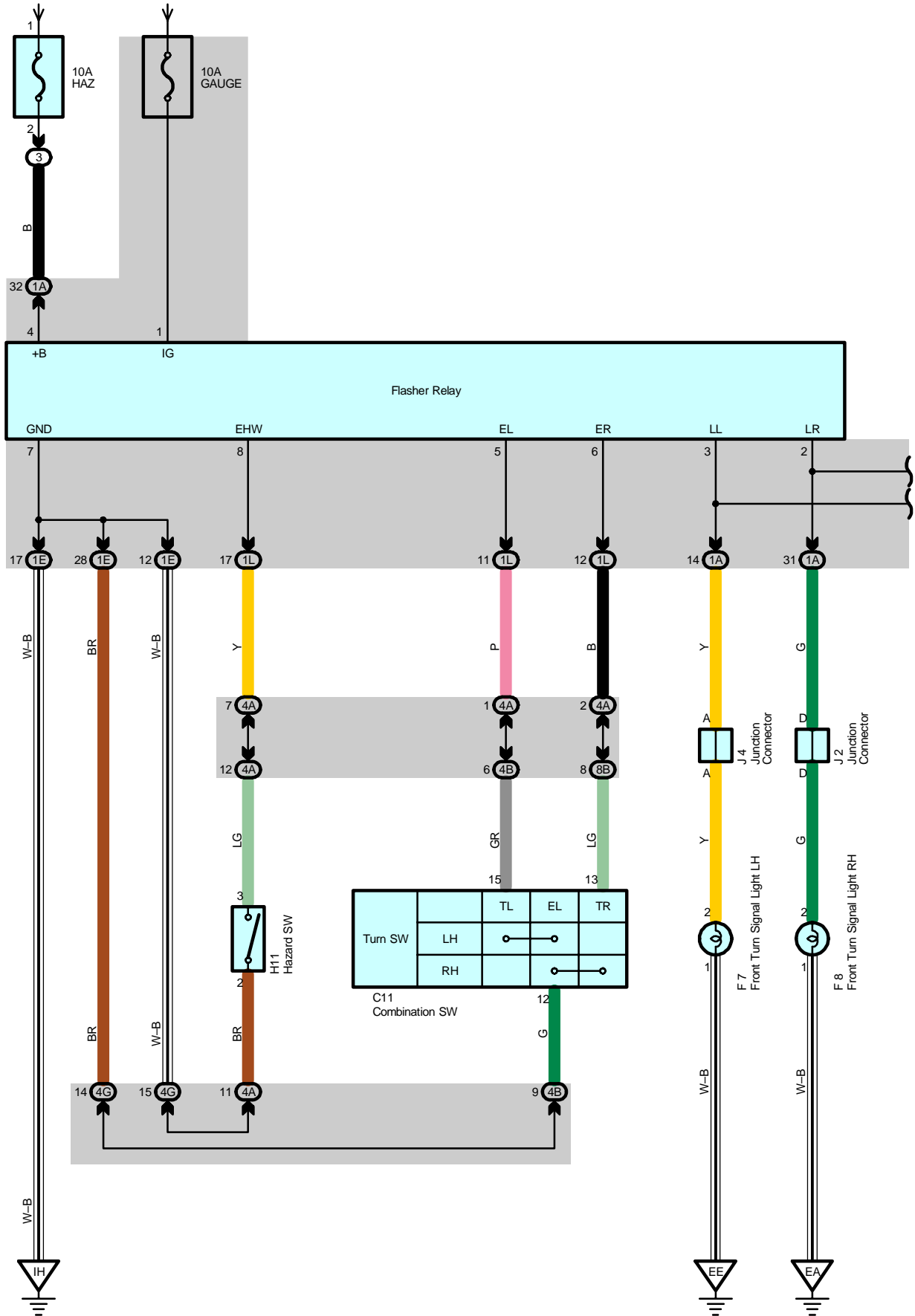
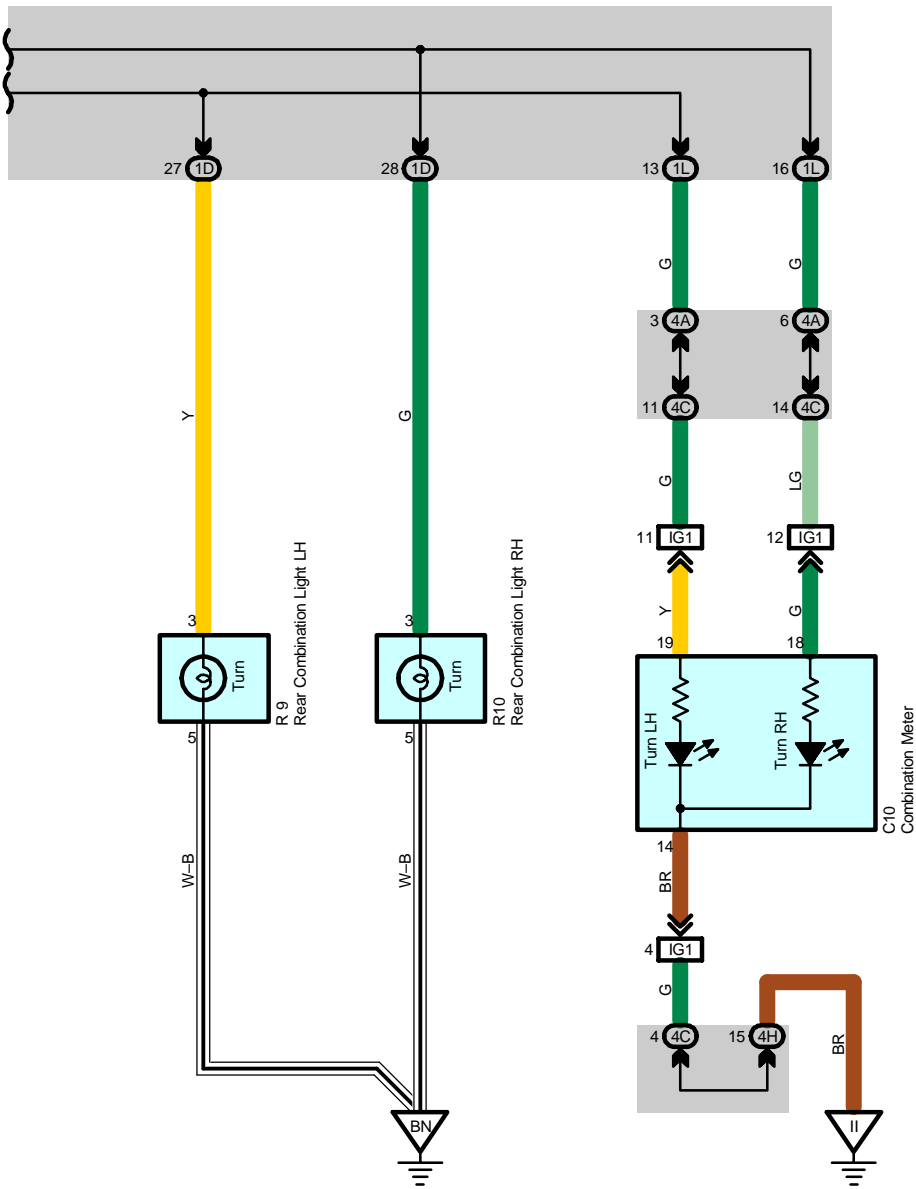


Turn Signal and Hazard Warning Light

From Power Source System (See Page 66)





Turn Signal and Hazard Warning Light

Service Hints

Flasher Relay

1-Ground : Approx. 12 volts with the power SW at IG ON position

7-Ground : Always continuity

4-Ground : Always approx. 12 volts

○ : Parts Location

| Code | See Page | Code | See Page | Code | See Page |
|------|--------------------|------|--------------------|------|--------------------|
| C10 | 47 | F8 | 44 | J4 | 45 |
| C11 | 47 | H11 | 47 | R9 | 52 |
| F7 | 44 | J2 | 45 | R10 | 52 |

○ : Relay Blocks

| Code | See Page | Relay Blocks (Relay Block Location) |
|------|--------------------|---|
| 3 | 22 | Engine Room R/B (Engine Compartment Left) |

○ : Junction Block and Wire Harness Connector

| Code | See Page | Junction Block and Wire Harness (Connector Location) |
|------|--------------------|--|
| 1A | 28 | Engine Room Main Wire and Driver Side J/B (Lower Finish Panel) |
| 1D | 28 | Floor Wire and Driver Side J/B (Lower Finish Panel) |
| 1E | 28 | Instrument Panel Wire and Driver Side J/B (Lower Finish Panel) |
| 1L | | |
| 4A | 36 | Instrument Panel Wire and Center Connector No.1 (Behind the Combination Meter) |
| 4B | | |
| 4C | | |
| 4G | | |
| 4H | | |

□ : Connector Joining Wire Harness and Wire Harness

| Code | See Page | Joining Wire Harness and Wire Harness (Connector Location) |
|------|--------------------|---|
| IG1 | 58 | Instrument Panel Wire and Instrument Panel No.2 Wire (Behind the Combination Meter) |

▽ : Ground Points

| Code | See Page | Ground Points Location |
|------|--------------------|-----------------------------------|
| EA | 54 | Right Side of the Fender Apron |
| EE | 54 | Left Side of the Suspension Tower |
| IH | 56 | Cowl Side Panel LH |
| II | 56 | Instrument Panel Brace LH |
| BN | 60 | Lower Back Panel Center |

