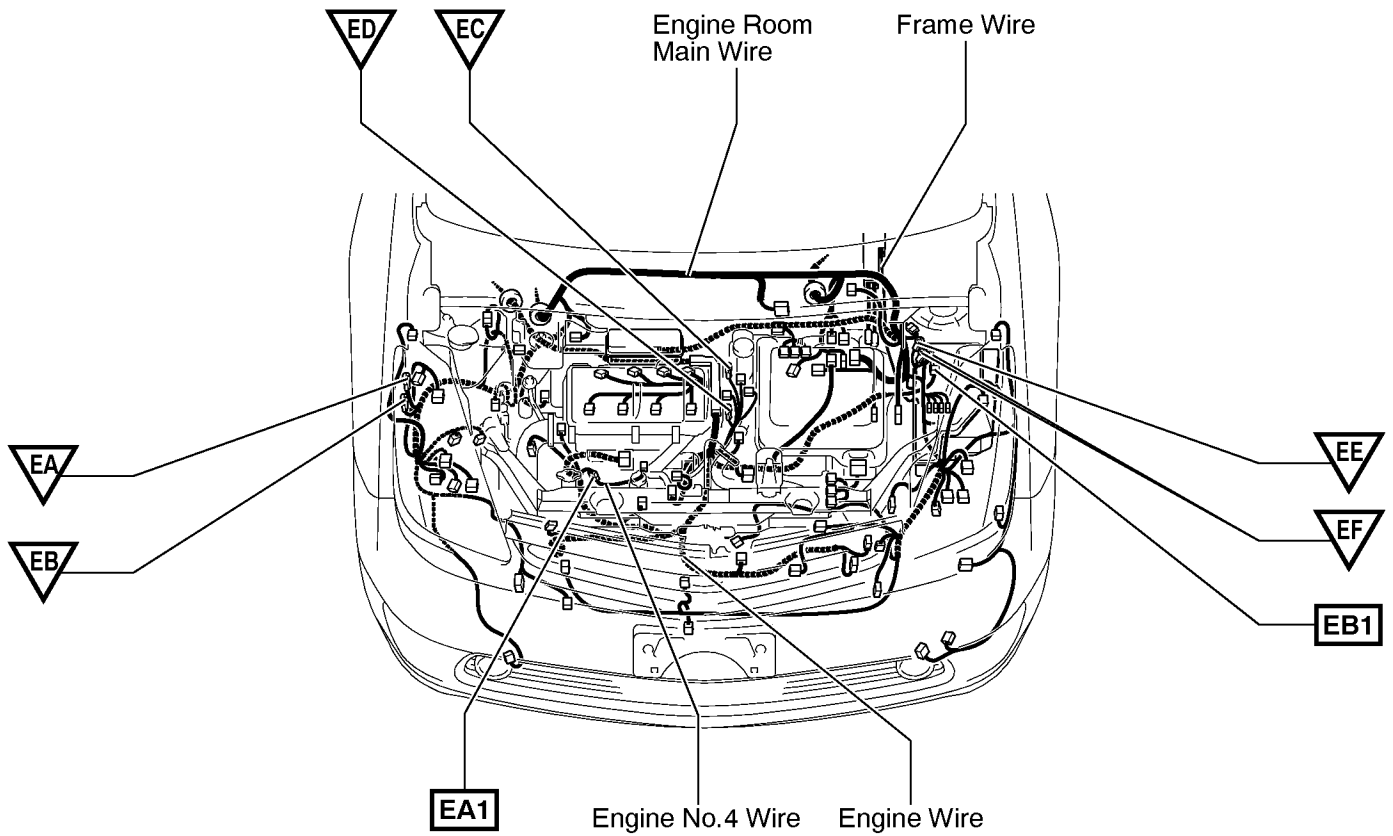
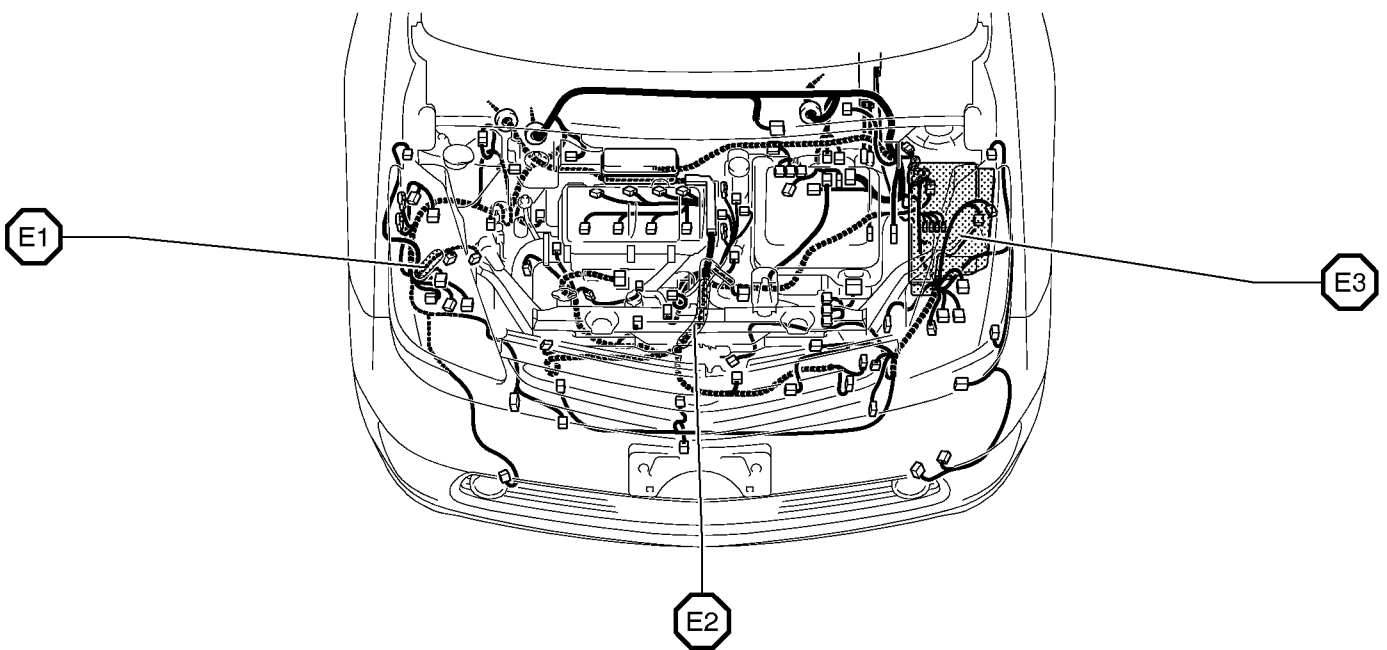


G ELECTRICAL WIRING ROUTING

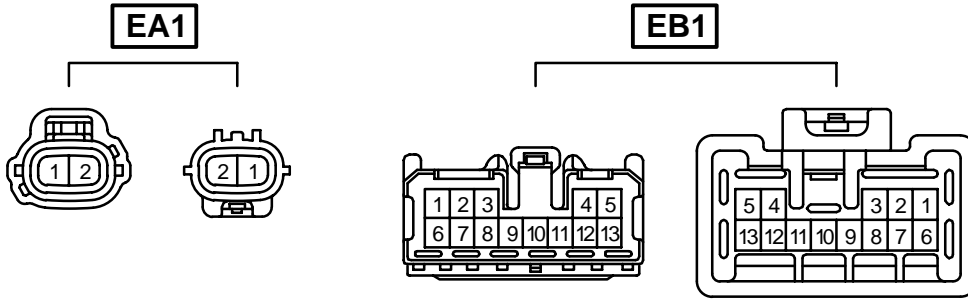
□ : Location of Connector Joining Wire Harness and Wire Harness
 ▽ : Location of Ground Points



○ : Location of Splice Points



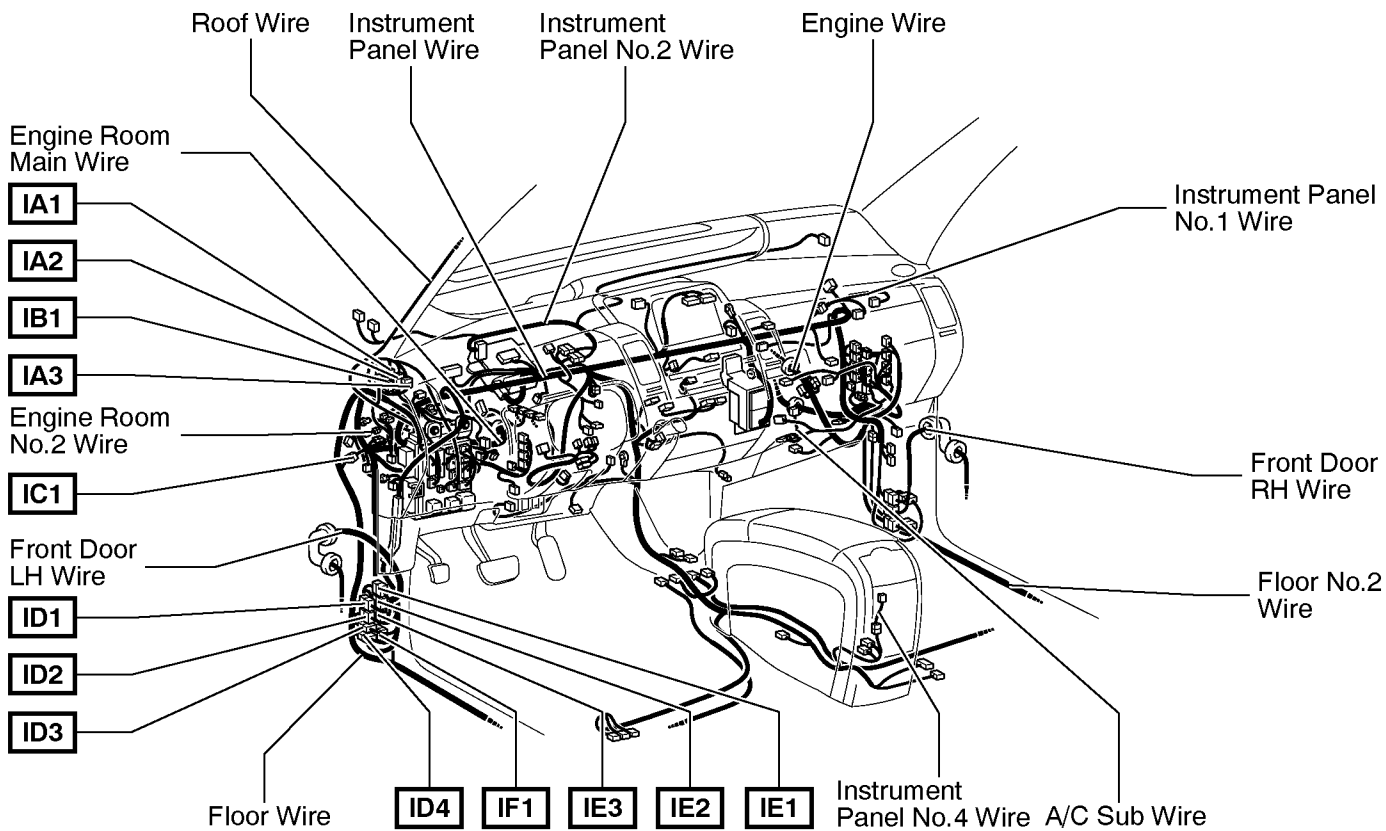
Connector Joining Wire Harness and Wire Harness



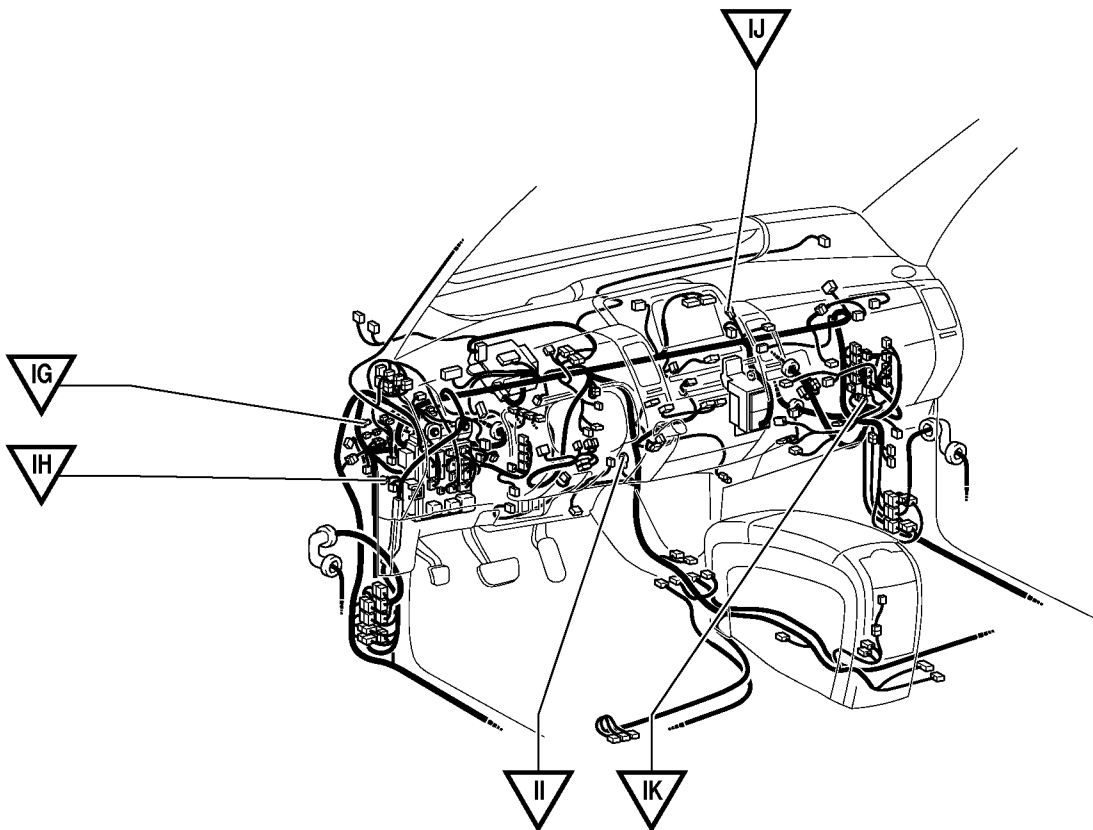
Code	Joining Wire Harness and Wire Harness (Connector Location)
EA1	Engine Wire and Engine No.4 Wire (Near the Radiator Fan)
EB1	Engine Wire and Engine Room Main Wire (Inside of the Engine Room R/B)

G ELECTRICAL WIRING ROUTING

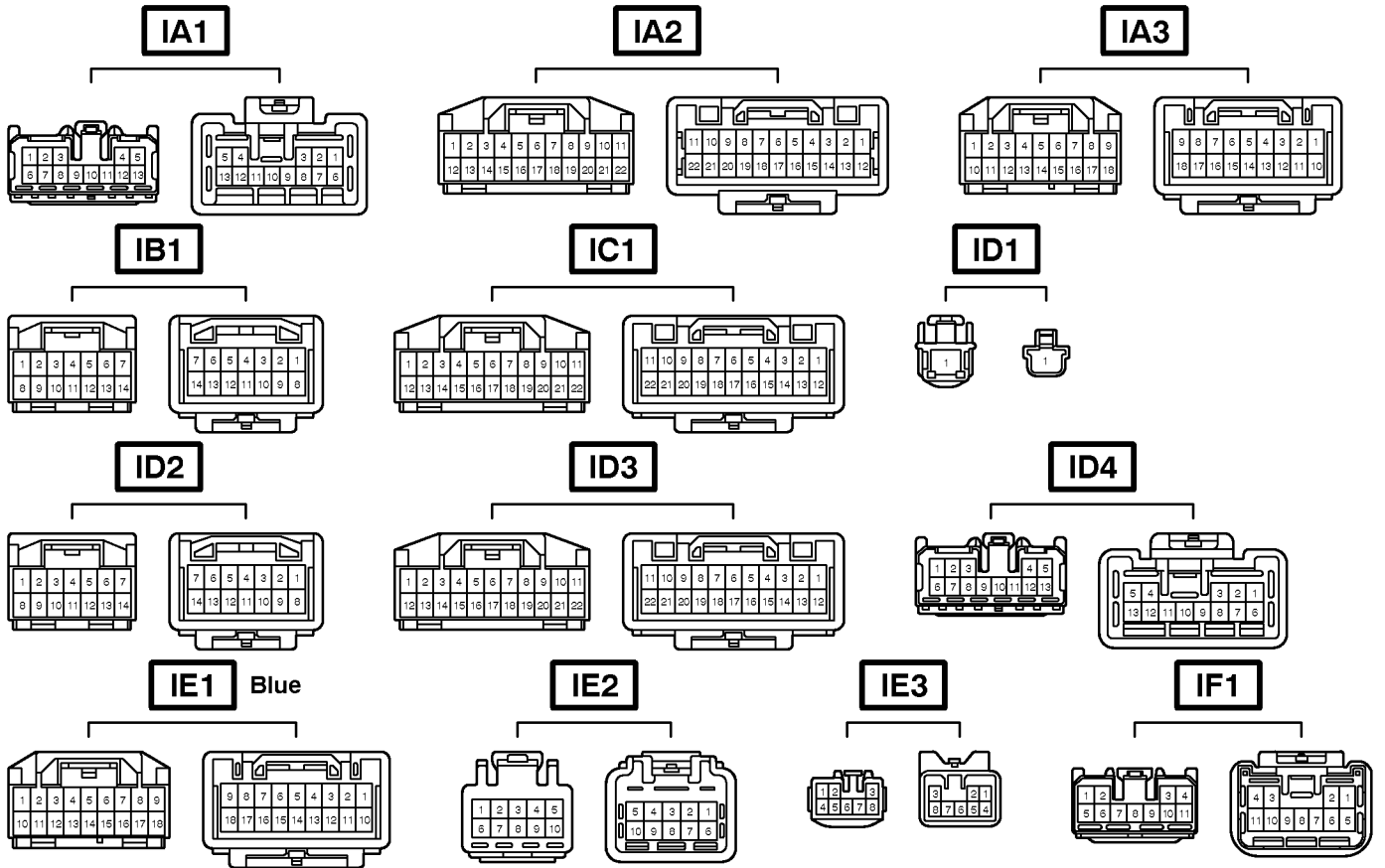
□ : Location of Connector Joining Wire Harness and Wire Harness



▽ : Location of Ground Points



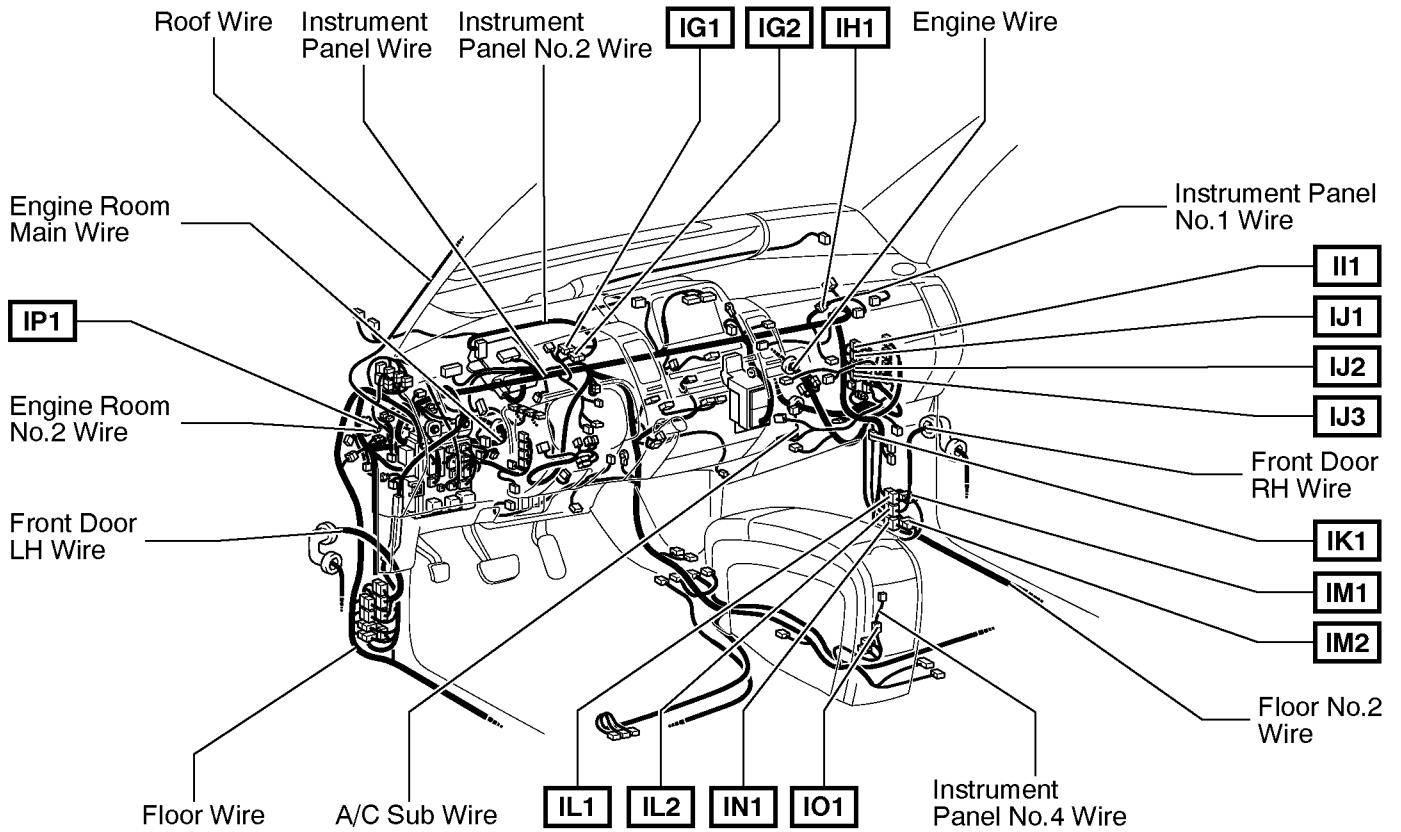
Connector Joining Wire Harness and Wire Harness



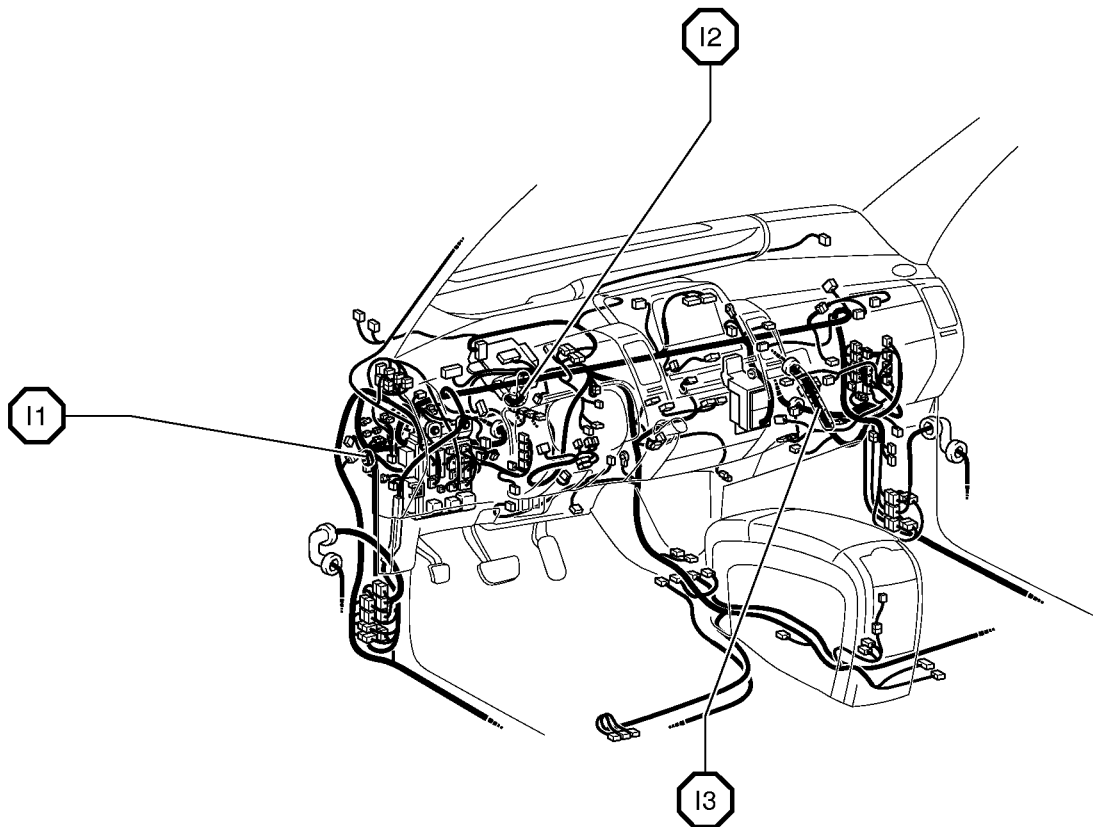
Code	Joining Wire Harness and Wire Harness (Connector Location)
IA1	
IA2	Engine Room Main Wire and Instrument Panel Wire (Upper Parts of Front Body Pillar LH)
IA3	
IB1	Roof Wire and Instrument Panel Wire (Upper Parts of Front Body Pillar LH)
IC1	Engine Room Main Wire and Floor Wire (Cowl Side Panel LH)
ID1	
ID2	Instrument Panel Wire and Floor Wire (Left Kick Panel)
ID3	
ID4	
IE1	Front Door LH Wire and Instrument Panel Wire (Left Kick Panel)
IE2	
IE3	
IF1	Floor Wire and Engine Room Main Wire (Left Kick Panel)

G ELECTRICAL WIRING ROUTING

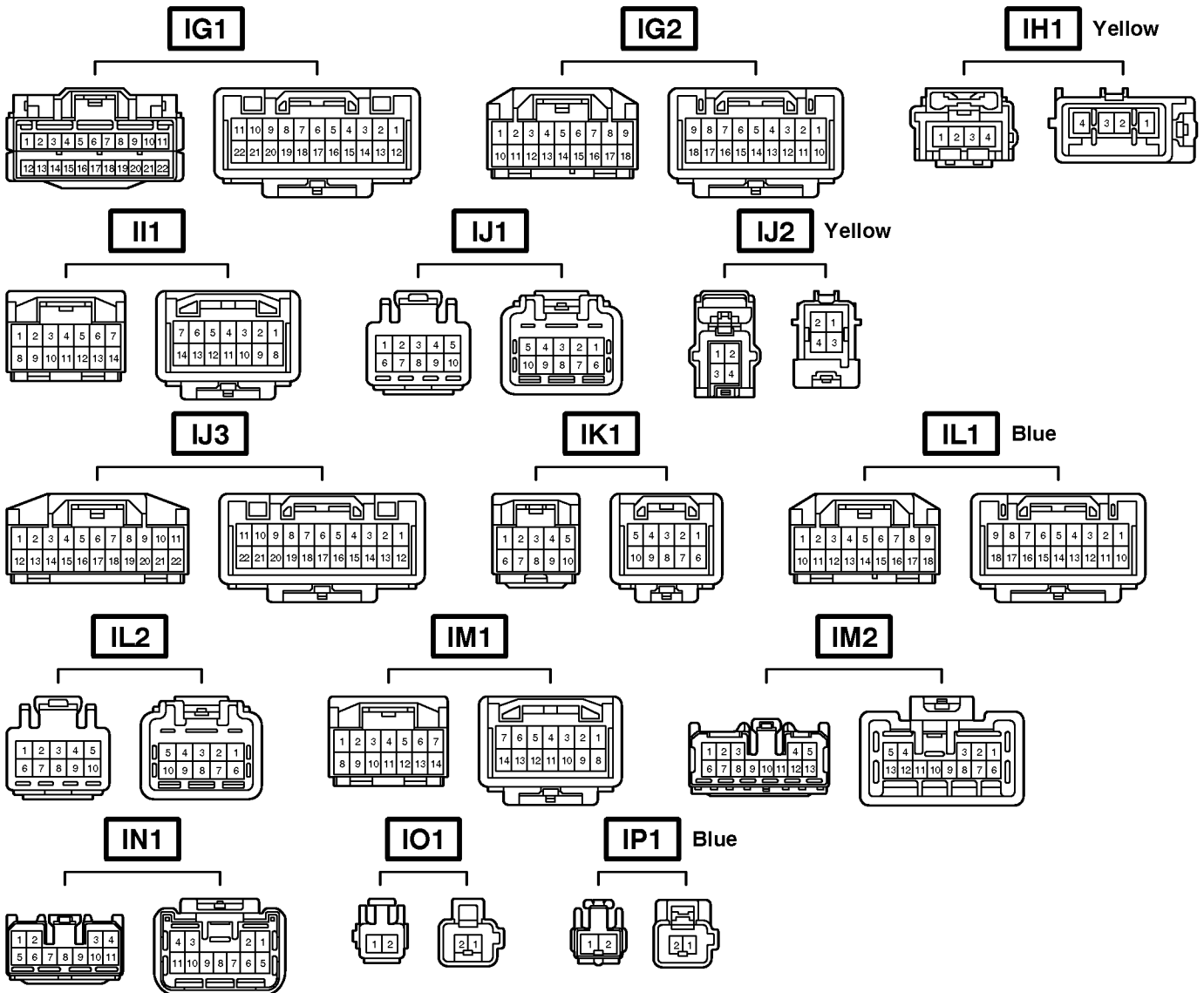
□ : Location of Connector Joining Wire Harness and Wire Harness



○ : Location of Splice Points



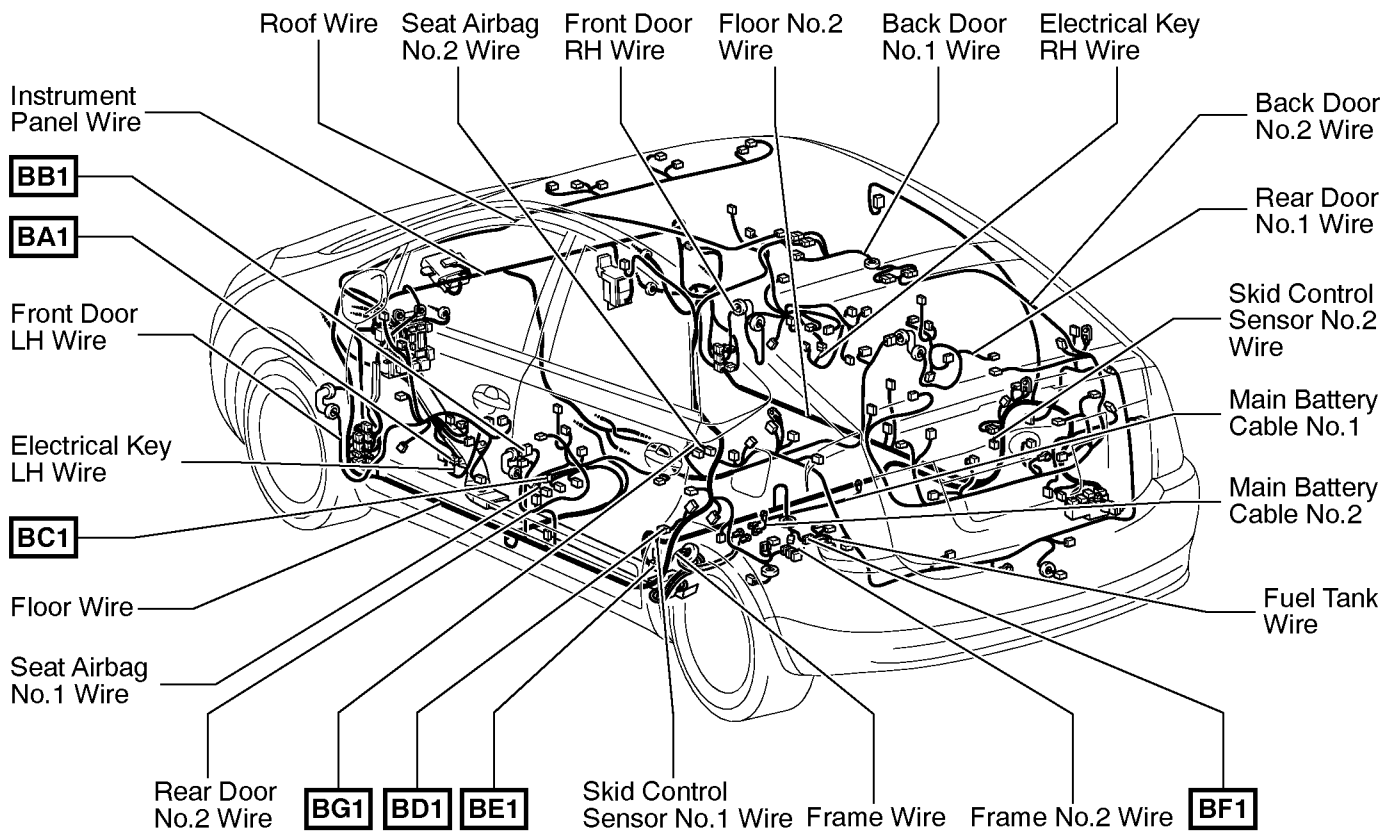
Connector Joining Wire Harness and Wire Harness



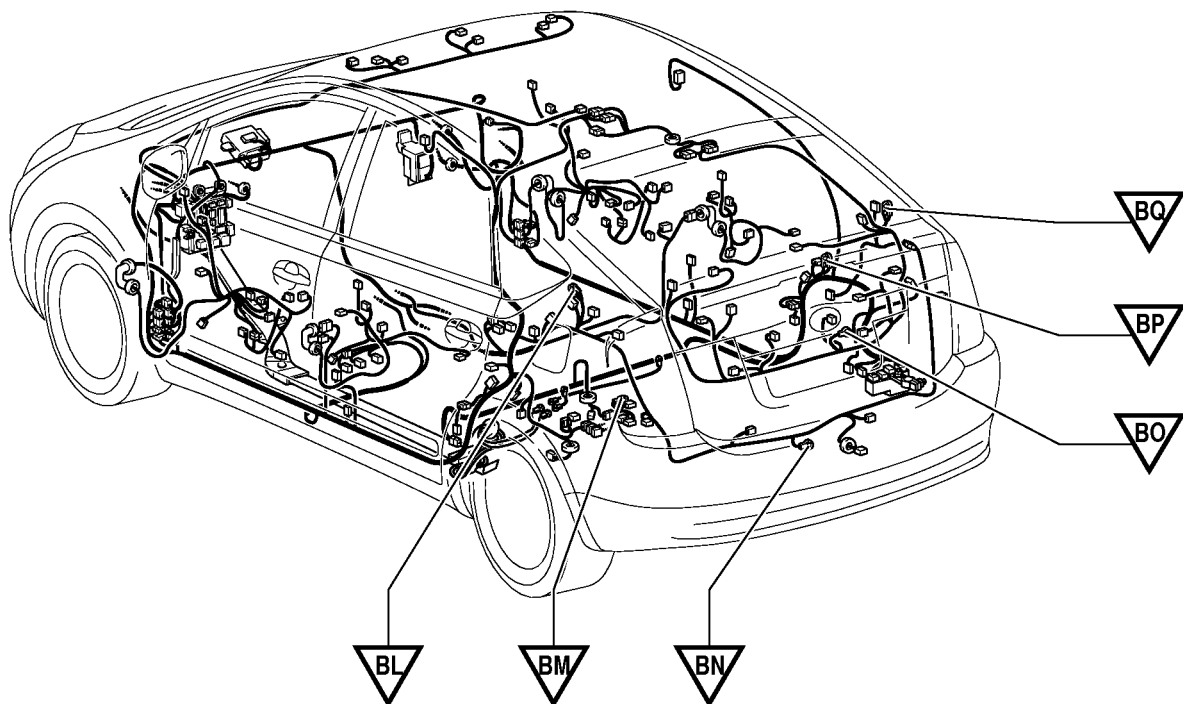
Code	Joining Wire Harness and Wire Harness (Connector Location)
IG1	Instrument Panel Wire and Instrument Panel No.2 Wire (Behind the Combination Meter)
IG2	Instrument Panel Wire and Instrument Panel No.1 Wire (Behind the Glove Box)
IH1	Instrument Panel Wire and Instrument Panel No.1 Wire (Behind the Glove Box)
II1	Engine Wire and Instrument Panel Wire (Behind the Glove Box)
IJ1	Engine Room Main Wire and Instrument Panel Wire (Behind the Glove Box)
IJ2	Engine Room Main Wire and Instrument Panel Wire (Behind the Glove Box)
IJ3	Engine Room Main Wire and Instrument Panel Wire (Behind the Glove Box)
IK1	Engine Room Main Wire and Floor No.2 Wire (Cowl Side Panel RH)
IL1	Front Door RH Wire and Instrument Panel Wire (Right Kick Panel)
IL2	Front Door RH Wire and Instrument Panel Wire (Right Kick Panel)
IM1	Instrument Panel Wire and Floor No.2 Wire (Right Kick Panel)
IM2	Instrument Panel Wire and Floor No.2 Wire (Right Kick Panel)
IN1	Floor No.2 Wire and Engine Room Main Wire (Right Kick Panel)
IO1	Instrument Panel Wire and Instrument Panel No.4 Wire (Front Console Box LH)
IP1	Engine Room No.2 Wire and Engine Room Main Wire (Upper Parts of Front Body Pillar LH)

G ELECTRICAL WIRING ROUTING

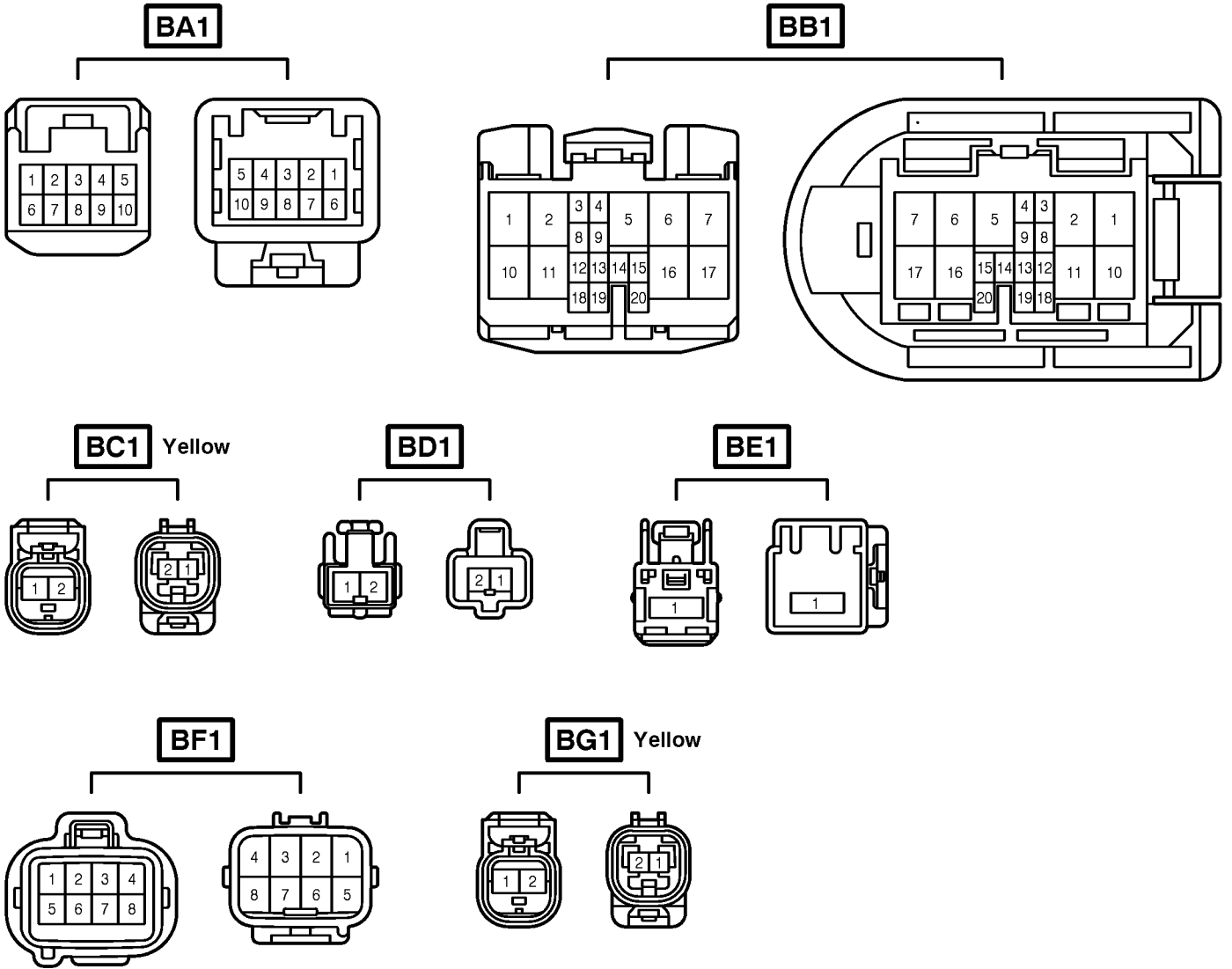
□ : Location of Connector Joining Wire Harness and Wire Harness



▽ : Location of Ground Points



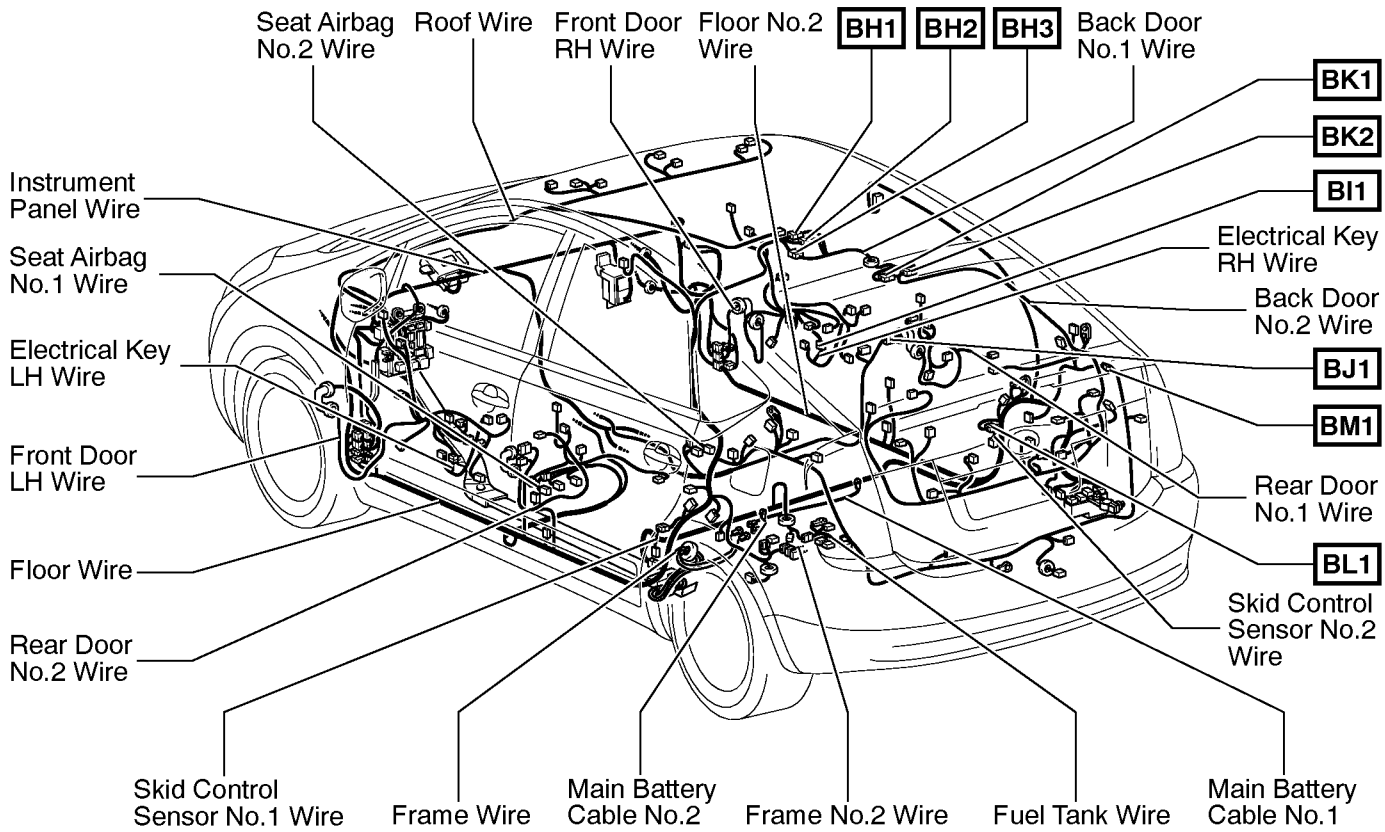
Connector Joining Wire Harness and Wire Harness



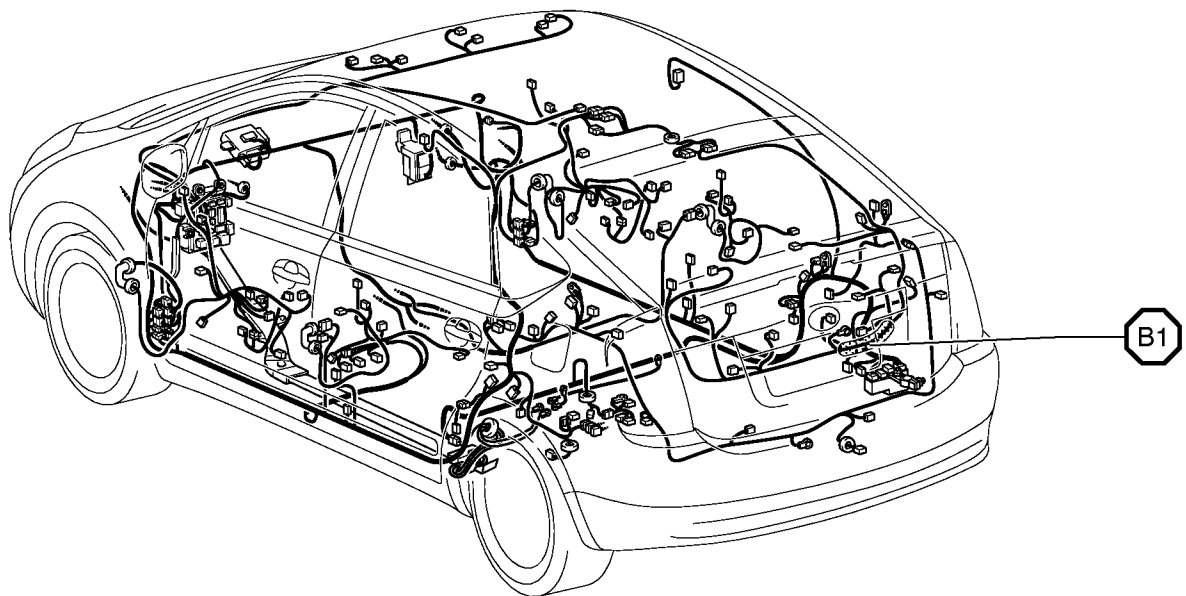
Code	Joining Wire Harness and Wire Harness (Connector Location)
BA1	Front Door LH Wire and Electrical Key LH Wire (Near the Front Door Outside Handle LH)
BB1	Rear Door No.2 Wire and Floor Wire (Left Center Pillar)
BC1	Floor Wire and Seat Airbag No.1 Wire (Under the Driver's Seat)
BD1	Skid Control Sensor No.1 Wire and Floor Wire (Front Side of Left Quarter Panel)
BE1	Frame Wire and Floor No.2 Wire (Front Side of Left Quarter Panel)
BF1	Floor No.2 Wire and Fuel Tank Wire (Near the Fuel Tank)
BG1	Floor No.2 Wire and Seat Airbag No.2 Wire (Under the Front Passenger's Seat)

G ELECTRICAL WIRING ROUTING

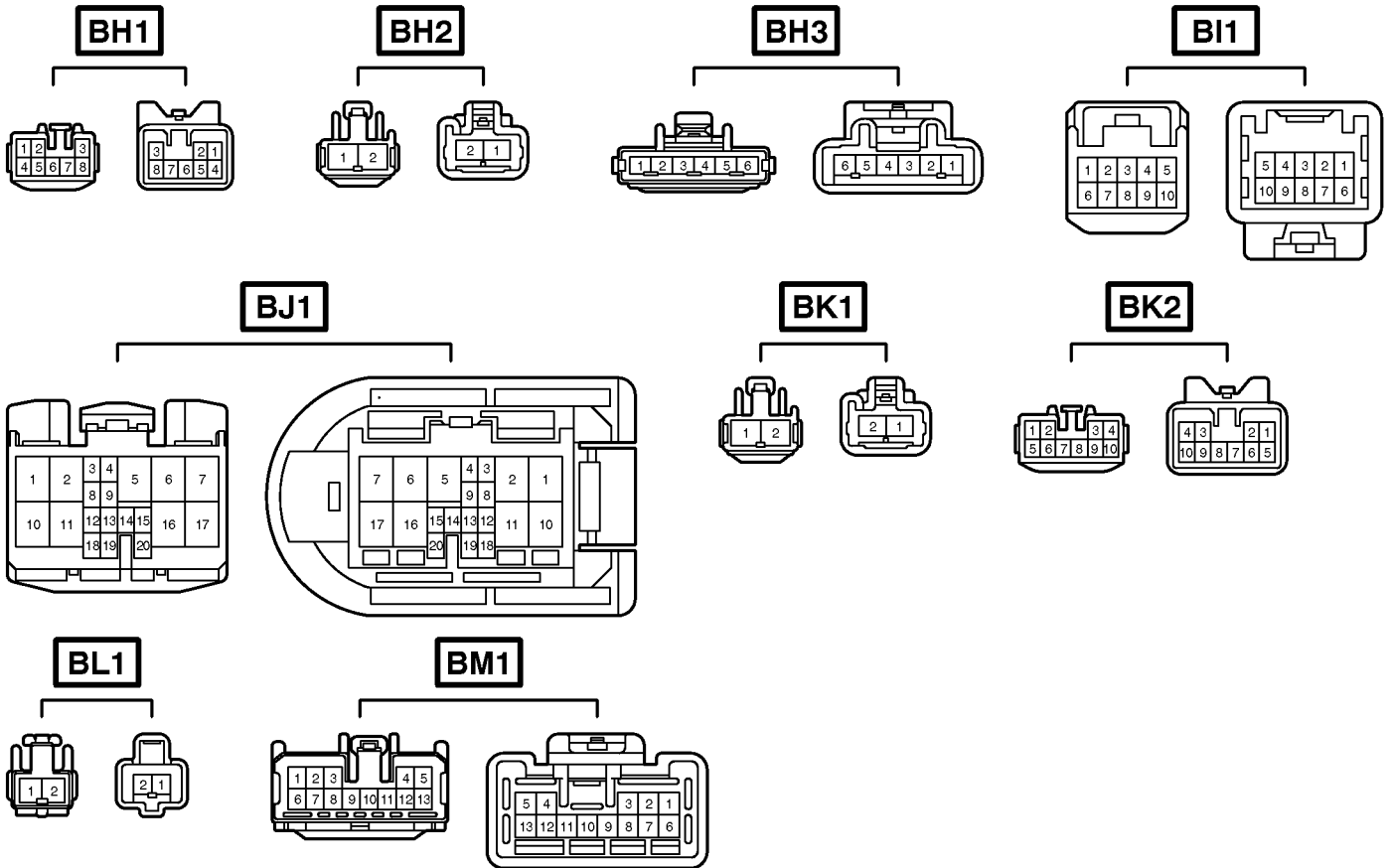
□ : Location of Connector Joining Wire Harness and Wire Harness



○ : Location of Splice Points



Connector Joining Wire Harness and Wire Harness



Code	Joining Wire Harness and Wire Harness (Connector Location)
BH1	
BH2	Back Door No.1 Wire and Floor Wire (Rear Side of Roof Panel)
BH3	
BI1	Front Door RH Wire and Electrical Key RH Wire (Near the Front Door Outside Handle RH)
BJ1	Rear Door No.1 Wire and Floor No.2 Wire (Right Center Pillar)
BK1	
BK2	Back Door No.1 Wire and Back Door No.2 Wire (Rear Side of Roof Panel)
BL1	Skid Control Sensor No.2 Wire and Floor No.2 Wire (Front Side of Right Quarter Panel)
BM1	Floor No.2 Wire and Floor Wire (Rear Side of Right Quarter Panel)

