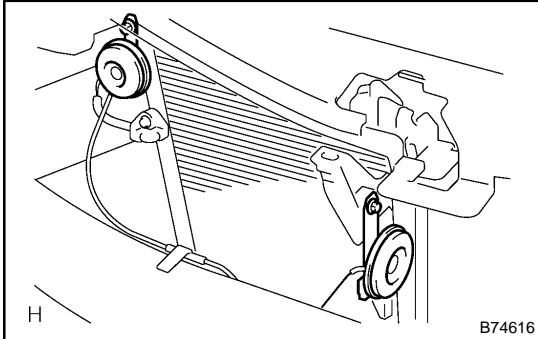


HORN ASSY REPLACEMENT

7700W-01

1. REMOVE FRONT BUMPER COVER (See page 76-2)



2. REMOVE HIGH PITCHED HORN ASSY

- (a) Disconnect the connector.
- (b) Remove the bolt and horn.

3. REMOVE LOW PITCHED HORN ASSY

- (a) Disconnect the connector.
- (b) Remove the bolt and horn.

4. INSTALL HIGH PITCHED HORN ASSY

- (a) Place the stay onto the baffle part in the radiator support upper, and then install the horn with the bolt.
Torque: 20 N·m (204 kgf·cm, 15 ft·lbf)
- (b) Connect the connector.

5. INSTALL LOW PITCHED HORN ASSY

- (a) Place the stay onto the baffle part in the radiator support upper, and then install the horn with the bolt.
Torque: 20 N·m (204 kgf·cm, 15 ft·lbf)
- (b) Connect the connector.