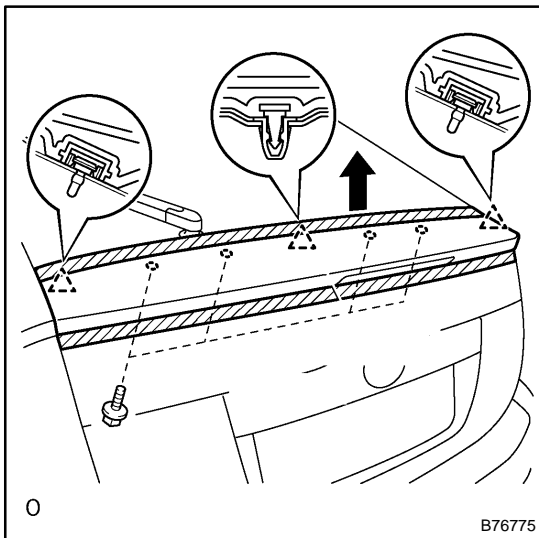


REAR SPOILER SUB-ASSY REPLACEMENT

7616F-01

HINT:

- The installation procedures are the removal procedures in reverse order.
 - A bolt without a torque specification is shown in the standard bolt chart (see page 03-2).
1. REMOVE REAR WIPER ARM COVER (See page 66-19)
 2. REMOVE REAR WIPER ARM ASSY (See page 66-19)
 3. REMOVE BACK DOOR TRIM BOARD ASSY (See page 75-33)
 4. REMOVE BACK DOOR TRIM BOARD (See page 75-33)
 5. REMOVE REAR WIPER MOTOR ASSY (See page 66-19)



6. REMOVE REAR SPOILER SUB-ASSY

- (a) Put protective tape under the rear spoiler.
- (b) Remove the 4 bolts.
- (c) Using a screwdriver, disengage the 3 clips and rear spoiler.

HINT:

Tape the screwdriver tip before use.

- (d) Disconnect the stop lamp connector.

7. REMOVE CENTER STOP LAMP ASSY

- (a) Remove the 2 screws and stop lamp.