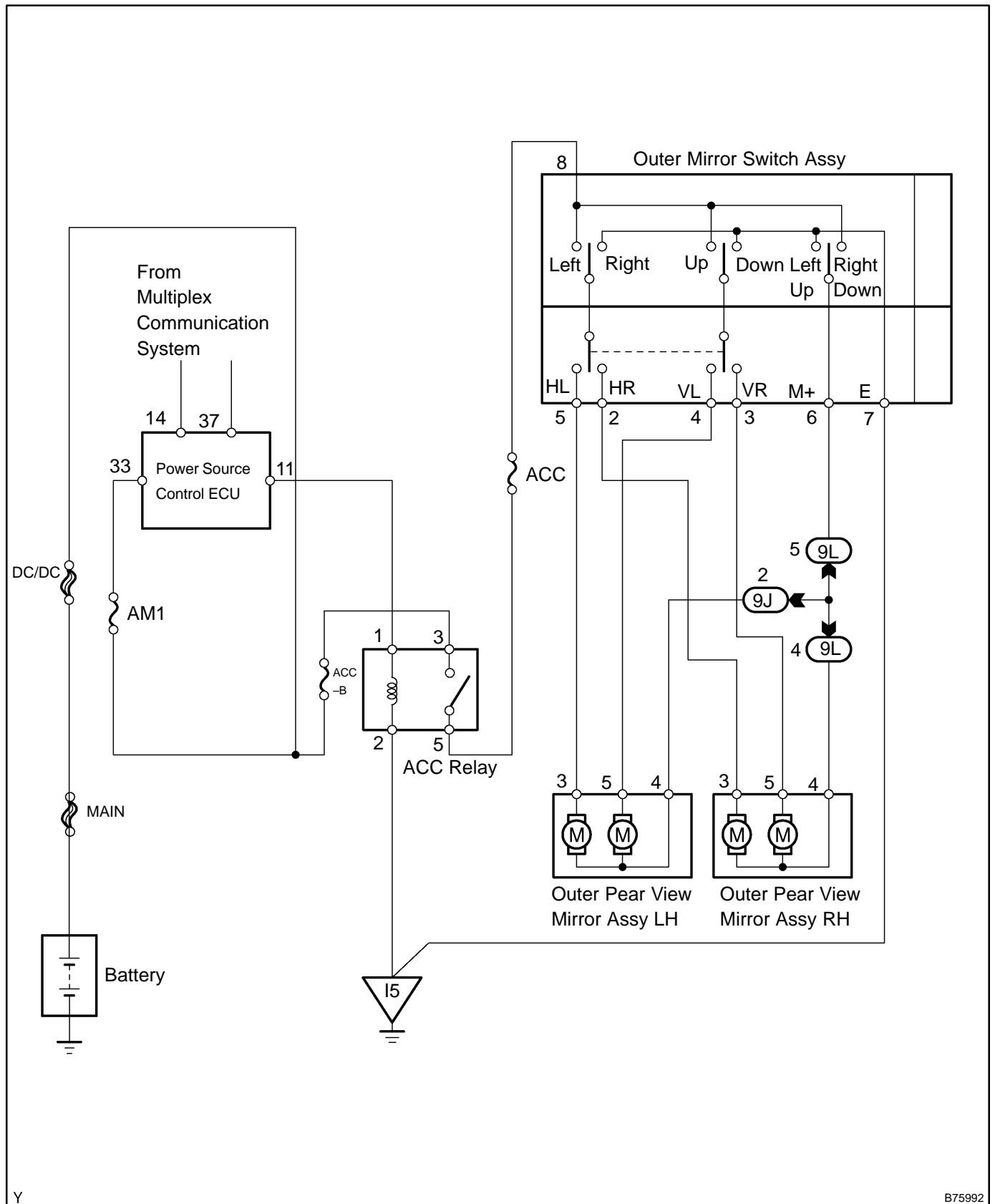


# SYSTEM DIAGRAM



Y

B75992