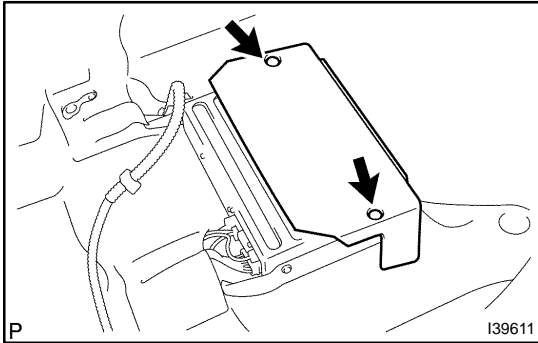


# NAVIGATION ECU REPLACEMENT

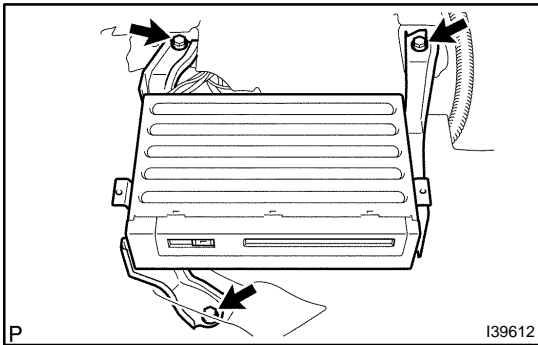
6716S-01

## HINT:

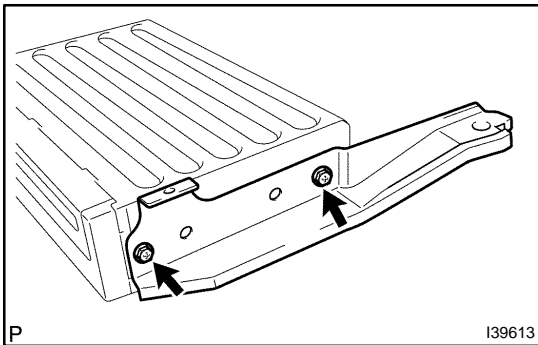
- COMPONENTS: See page 67-2
  - Installation is in the reverse order of removal.
1. REMOVE FRONT SEAT ASSEMBLY LH (SEE PAGE 72-2)



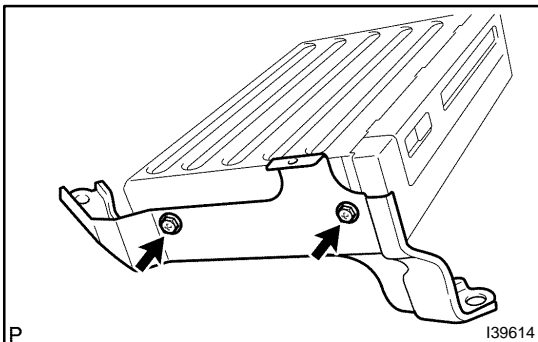
2. REMOVE NAVIGATION ECU COVER
  - (a) Remove the 2 clips and navigation ECU cover.



3. REMOVE NAVIGATION ECU W/BRACKET
  - (a) Disconnect each connector.
  - (b) Remove the 3 bolts and navigation ECU w/ bracket.



4. REMOVE DISC PLAYER BRACKET
  - (a) Remove the 2 bolts and disc player bracket.



5. REMOVE DISC PLAYER BRACKET NO.2
  - (a) Remove the 2 bolts and disc player bracket No.2.

6. REMOVE NAVIGATION ECU
7. INSTALL FRONT SEAT ASSEMBLY LH (SEE PAGE [72-2](#))