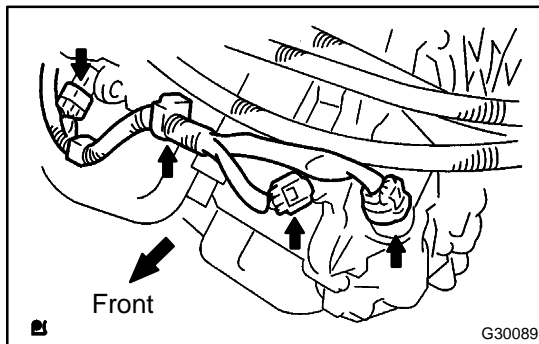


REPLACEMENT

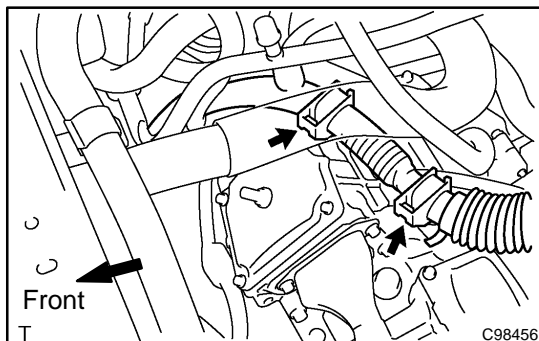
NOTICE:

- When working on the high voltage systems, always wear insulated gloves.
 - After removing the service plug grip, do not operate the power switch as it may damage the hybrid vehicle control ECU.
 - Keep the removed service plug in your pocket to prevent other technicians from reconnecting it while you are servicing the vehicle.
 - After removing the service plug grip, do not touch the high voltage connectors and terminals for 5 minutes.
1. DISCONNECT BATTERY NEGATIVE TERMINAL
 2. REMOVE SERVICE PLUG GRIP (SEE PAGE 01-5)
 3. REMOVE FRONT WHEELS
 4. REMOVE ENGINE UNDER COVER LH
 5. REMOVE ENGINE UNDER COVER RH
 6. DRAIN COOLANT (SEE PAGE 22-4)
 7. DRAIN TRANSAXLE OIL (SEE PAGE 22-1)
 8. REMOVE HOOD SUB-ASSY (SEE PAGE 75-4)
 9. REMOVE FR WIPER ARM RH (SEE PAGE 66-14)
 10. REMOVE FR WIPER ARM LH (SEE PAGE 66-14)
 11. REMOVE COWL TOP PANEL SUB-ASSY OUTER FRONT (SEE PAGE 21-23)
 12. REMOVE W/CONVERTER INVERTER ASSY (SEE PAGE 21-23)
 13. REMOVE AIR CLEANER ASSY (SEE PAGE 14-32)

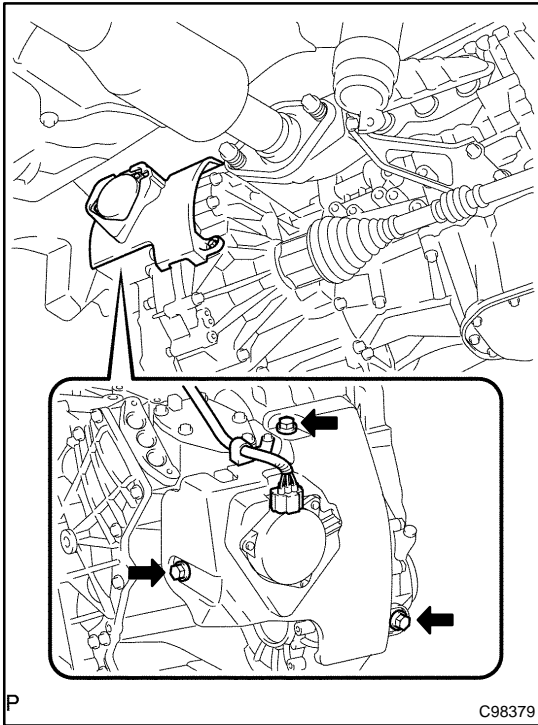


14. DISCONNECT WIRE HARNESS

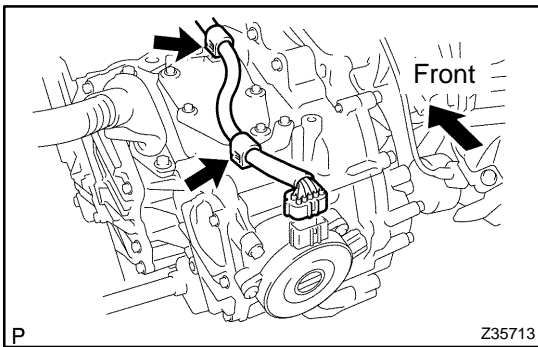
- (a) Disconnect the 3 connectors shown in the illustration and the clamp.



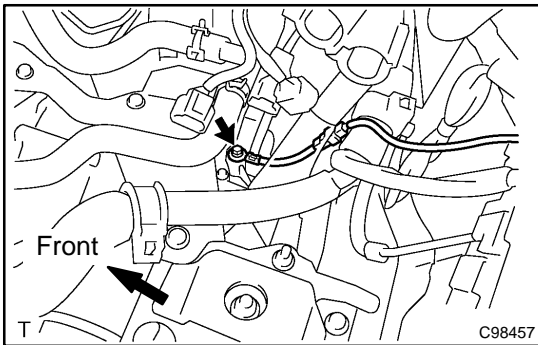
- (b) Separate the 2 clamps shown in the illustration.



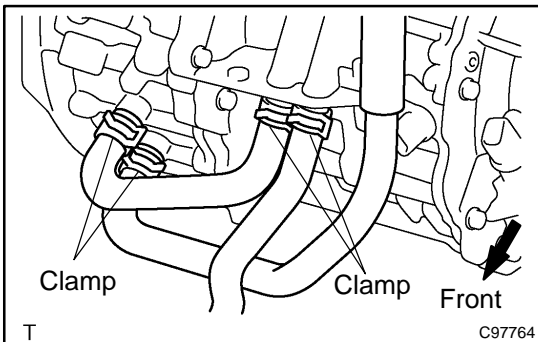
- (c) Disconnect the connector.
- (d) Remove the 3 bolts and the transmission case cover from the hybrid vehicle transaxle.



- (e) Disconnect the 2 clamps.



- (f) Remove the bolt and the earth wire.

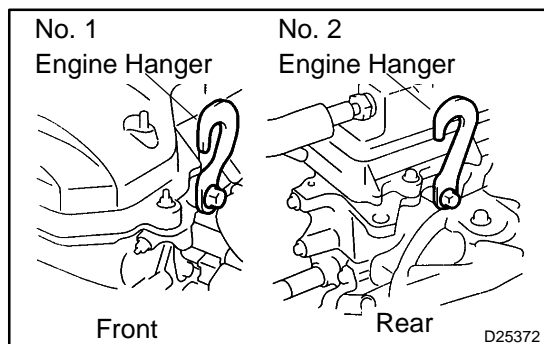


15. SEPARATE INVERTER COOLING HOSE NO.4

- (a) Remove the 4 clamps and disconnect the 3 hoses.

16. REMOVE FRONT DRIVE SHAFT ASSY LH (SEE PAGE 30-7)**17. REMOVE FRONT DRIVE SHAFT ASSY RH (SEE PAGE 30-7)**

SST 09520-01010, 09520-24010 (09520-32040)

18. SEPARATE EXHAUST PIPE ASSY (SEE PAGE 15-2)**19. REMOVE FRONT SUSPENSION CROSSMEMBER SUB-ASSY (SEE PAGE 14-32)****20. SUSPEND ENGINE ASSY**

- (a) Disconnect the 2 PCV hoses.
- (b) Install the No.1 and No.2 engine hangers in the correct direction.

Parts No.:**No.1 engine hanger: 12281-22021****No.2 engine hanger: 12281-15040****Bolt: 91512-B1016****Torque: 38 N·m (387 kgf·cm, 28 ft·lbf)**

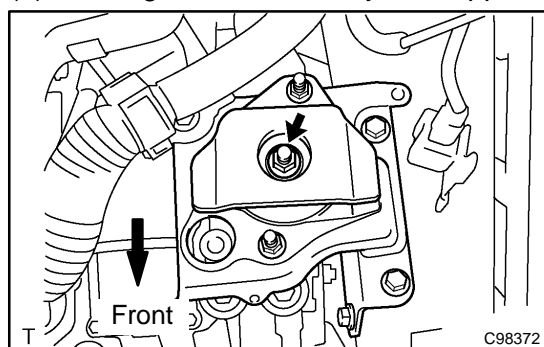
- (c) Attach the engine chain hoist to the engine hangers.

CAUTION:

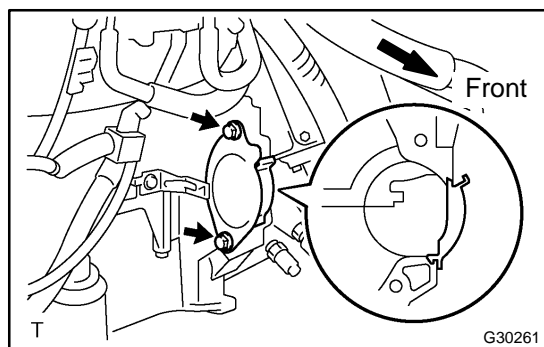
Do not attempt to hang the engine by hooking the chain to any other parts.

21. SUPPORT HYBRID VEHICLE TRANSAXLE ASSY

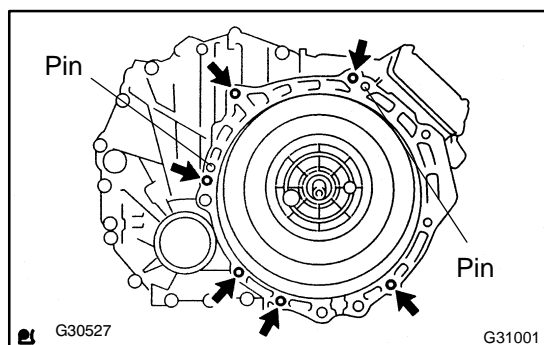
- (a) Using a transmission jack, support the hybrid vehicle transaxle assy.

**22. SEPARATE ENGINE MOUNTING BRACKET NO.3**

- (a) Remove the nut and disconnect engine mounting bracket No.3 from the engine mounting insulator.

**23. REMOVE HYBRID VEHICLE TRANSAXLE ASSY**

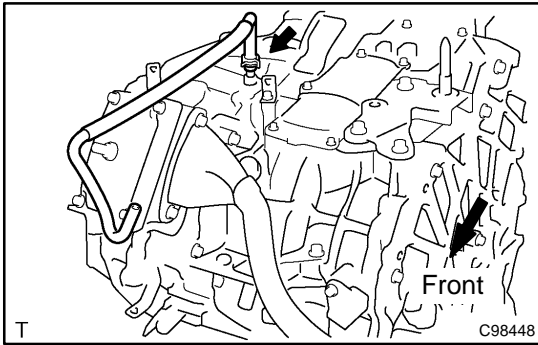
- (a) Remove the 2 bolts, starter cover and housing side cover.



- (b) Remove the 6 bolts and hybrid vehicle transaxle assy.

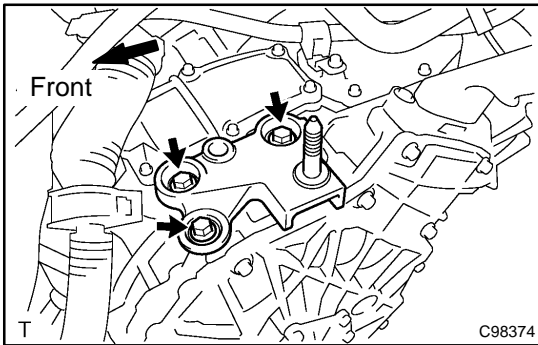
NOTICE:

To avoid damage to the knock pin, do not pry the connecting portion of the HV transaxle assy and the engine.



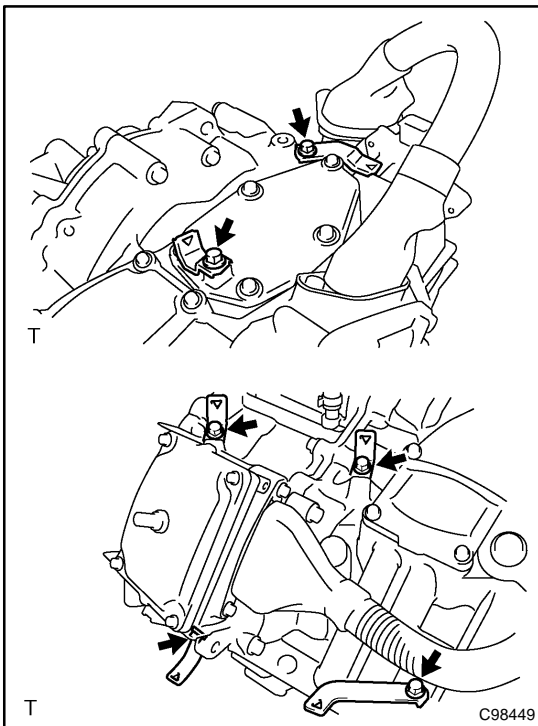
24. REMOVE INVERTER COOLING HOSE NO.6

- (a) Remove the clamp and inverter cooling hose No.6.

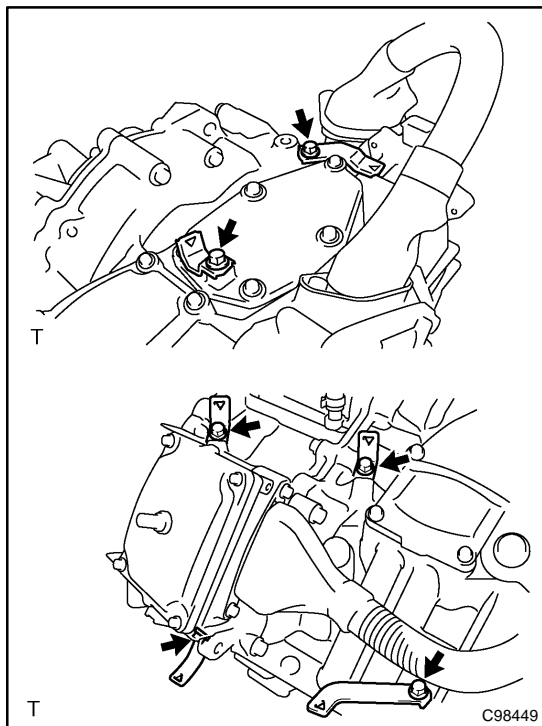


25. REMOVE ENGINE MOUNTING BRACKET NO.3

- (a) Remove the 3 bolts and engine mounting bracket No.3.

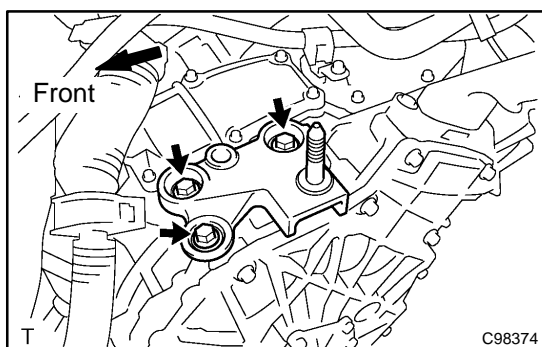


- (b) Remove the 6 bolts and stay shown in the illustration.

**26. INSTALL ENGINE MOUNTING BRACKET NO.3**

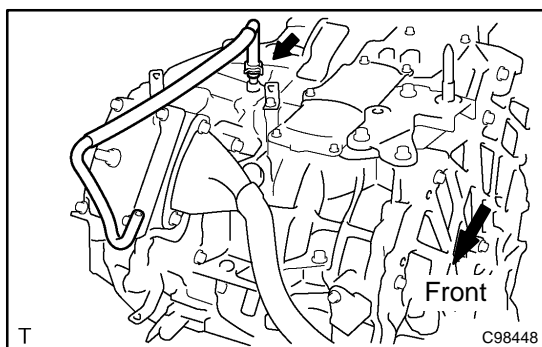
- (a) Install the stay in the position shown in the illustration using 6 bolts.

Torque: 9.0 N·m (92 kgf·cm, 80 in.-lbf)

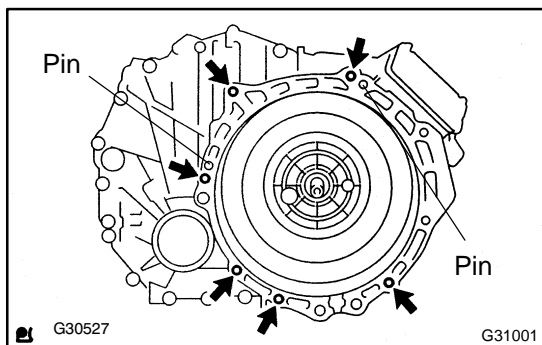


- (b) Install engine mounting bracket No.3 using 3 bolts.

Torque: 52 N·m (530 kgf·cm, 38 ft.-lbf)

**27. INSTALL INVERTER COOLING HOSE NO.6**

- (a) Connect the inverter cooling hose No.6 and install the clamp.

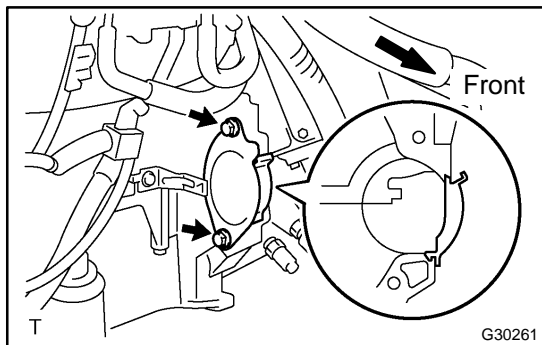
**28. INSTALL HYBRID VEHICLE TRANSAXLE ASSY**

- (a) Install the hybrid vehicle transaxle assy with 6 bolts.

Torque: 33 N·m (337 kgf·cm, 24 ft.-lbf)

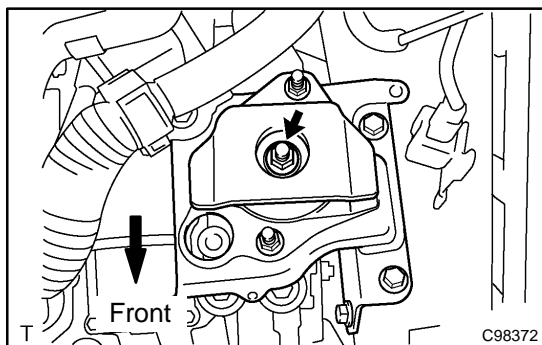
NOTICE:

- Ensure that the knock pin is installed on the engine side.
- Tighten the 6 bolts in the positions shown in the illustration by placing the HV transaxle assy in a horizontal position and aligning the knock pin and its hole.



- (b) Install the housing side cover and starter cover with the 2 bolts.

Torque: 32 N·m (326 kgf·cm, 23 ft·lbf)



29. CONNECT ENGINE MOUNTING BRACKET NO.3

- (a) Connect the engine mounting bracket No.3 to the engine mounting insulator using a nut.

Torque: 80 N·m (816 kgf·cm, 59 ft·lbf)

30. REMOVE ENGINE HANGER NO.1

- (a) Remove the bolt and engine hanger.

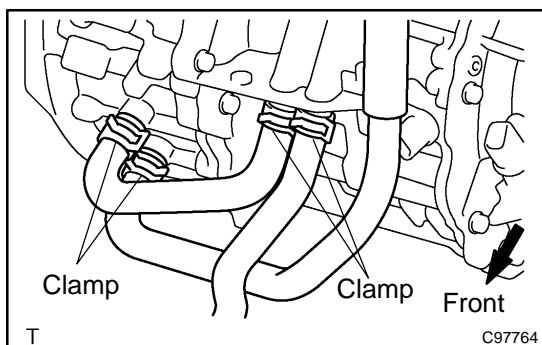
31. INSTALL FRONT SUSPENSION CROSSMEMBER SUB-ASSY (SEE PAGE 14-32)

SST 09670-00010

32. CONNECT EXHAUST PIPE ASSY (SEE PAGE 15-2)

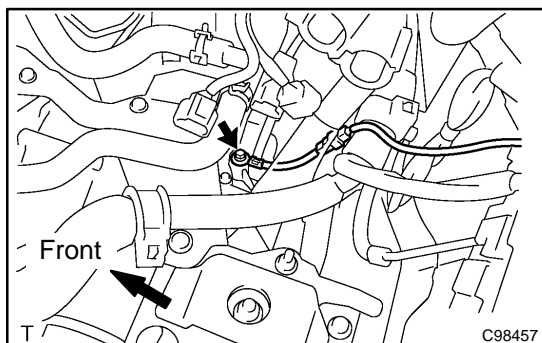
33. INSTALL FRONT DRIVE SHAFT ASSY LH (SEE PAGE 30-7)

34. INSTALL FRONT DRIVE SHAFT ASSY RH (SEE PAGE 30-7)



35. CONNECT INVERTER COOLING HOSE NO.4

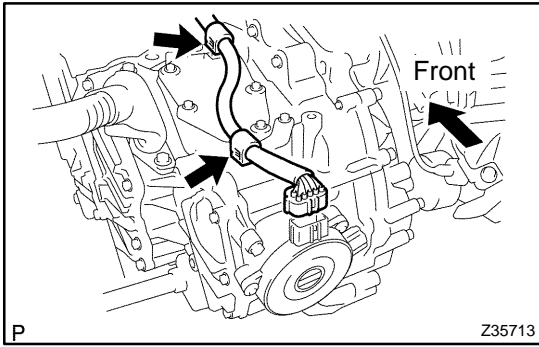
- (a) Connect the 3 hoses with the 4 clamps.



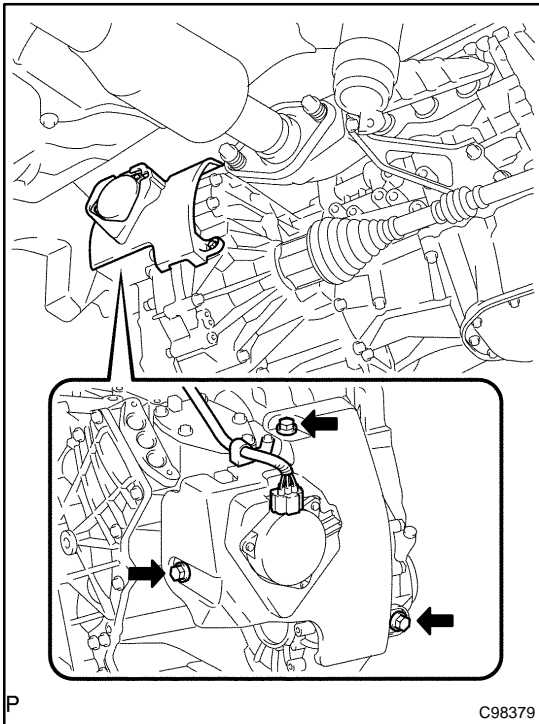
36. CONNECT CONNECTOR

- (a) Connect the earth wire using a bolt.

Torque: 9.0 N·m (92 kgf·cm, 80 in·lbf)



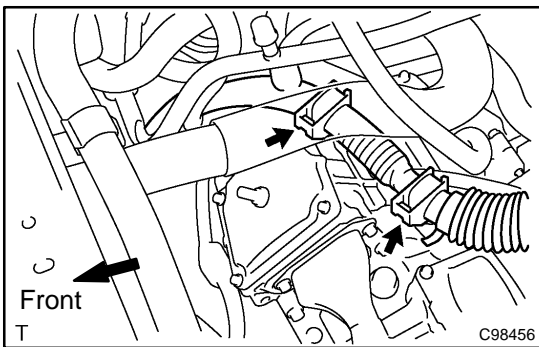
(b) Connect the 2 clamps.



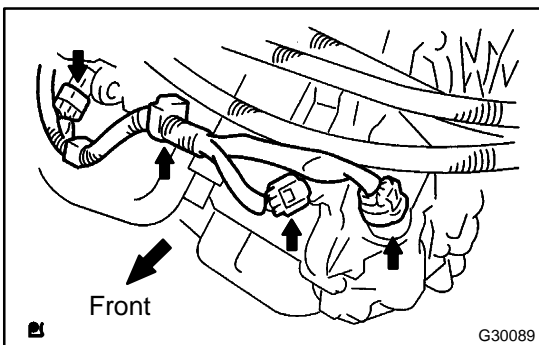
(c) Install the transmission case cover to the hybrid vehicle transaxle using the 3 bolts.

Torque: 7.0 N·m (71 kgf·cm, 62 in.-lbf)

(d) Connect the connector.



(e) Connect the clamps in the 2 locations shown in the illustration.



(f) Connect the clamp and the 3 connectors shown in the illustration.

37. INSTALL AIR CLEANER ASSY (SEE PAGE 14-32)
38. INSTALL W/CONVERTER INVERTER ASSY (SEE PAGE 21-23)
39. INSTALL COWL TOP PANEL SUB-ASSY OUTER FRONT (SEE PAGE 21-23)
40. INSTALL FR WIPER ARM LH (SEE PAGE 66-14)
41. INSTALL FR WIPER ARM RH (SEE PAGE 66-14)
42. INSTALL HOOD SUB-ASSY (SEE PAGE 75-4)
43. INSPECT HOOD SUB-ASSY (SEE PAGE 75-2)
44. ADJUST HOOD SUB-ASSY (SEE PAGE 75-2)
45. INSTALL ENGINE UNDER COVER RH
46. INSTALL ENGINE UNDER COVER LH
47. INSTALL FRONT WHEELS
48. INSTALL SERVICE PLUG GRIP (SEE PAGE 01-5)
49. CONNECT BATTERY NEGATIVE TERMINAL
50. ADD TRANSAXLE OIL
Fluid type: AUTO FLUID WS
Capacity: 3.8 liters (4.0 US qts, 3.3 Imp. qts)
51. INSPECT TRANSAXLE OIL (SEE PAGE 22-1)
52. ADD COOLANT (SEE PAGE 22-4)
53. CHECK FOR ENGINE COOLANT LEAKS (SEE PAGE 16-4)
54. INSPECT AND ADJUST FRONT WHEEL ALIGNMENT (SEE PAGE 26-6)
55. DELETE TORQUE ZERO POINT (SEE PAGE 05-1211)
56. PERFORM INITIALIZATION (SEE PAGE 01-28)