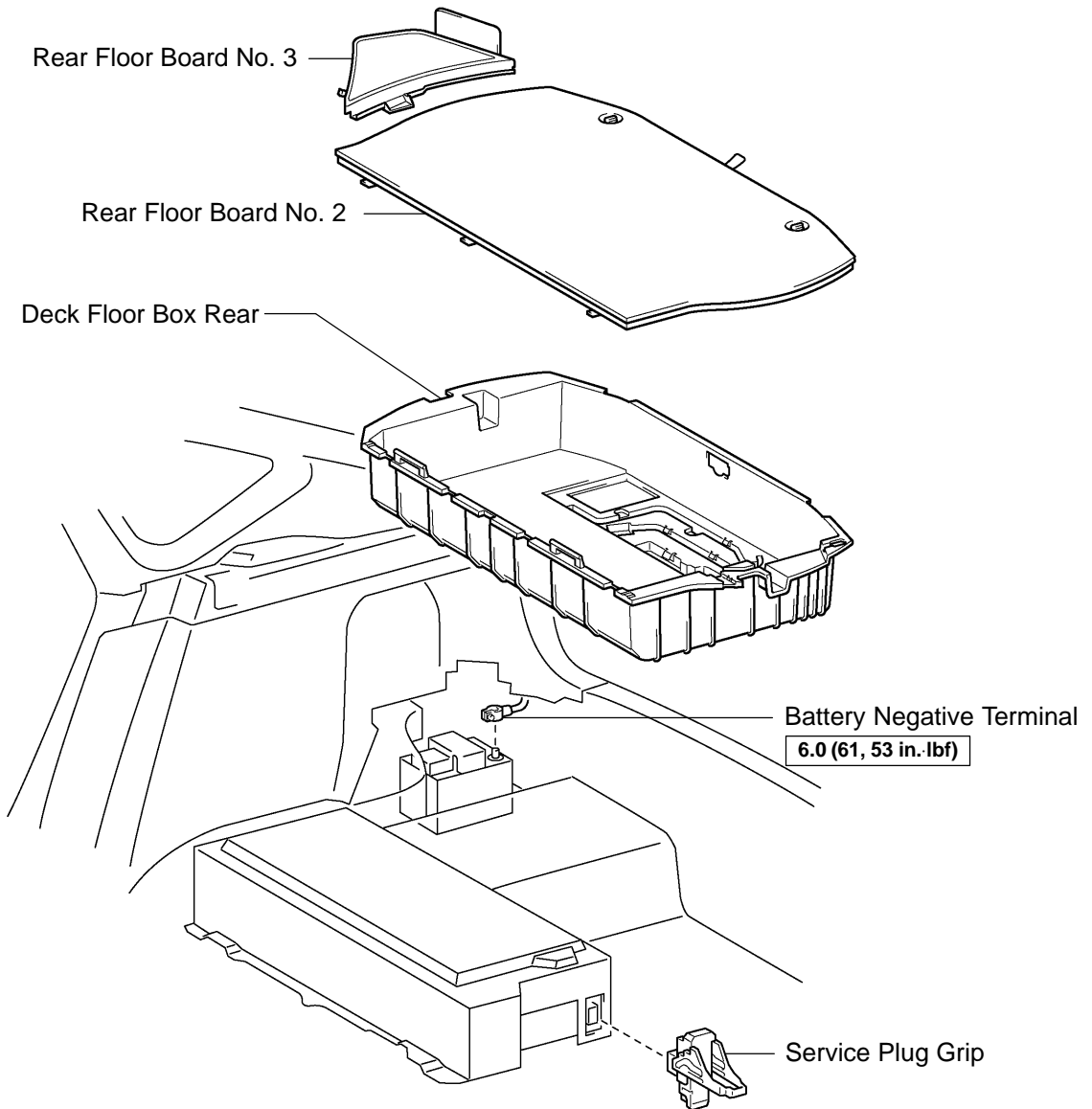


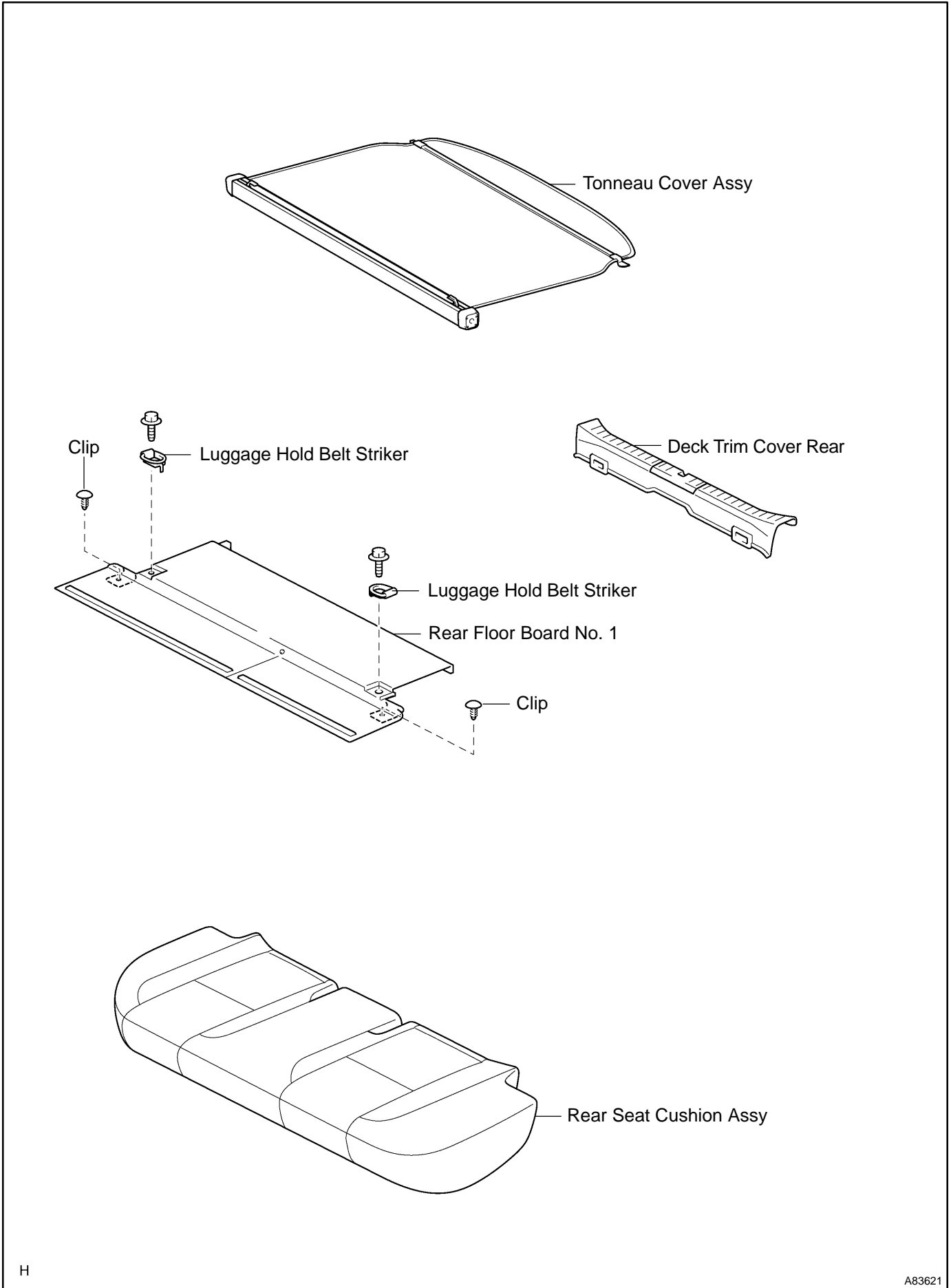
FRAME WIRE COMPONENTS

2103Z-01



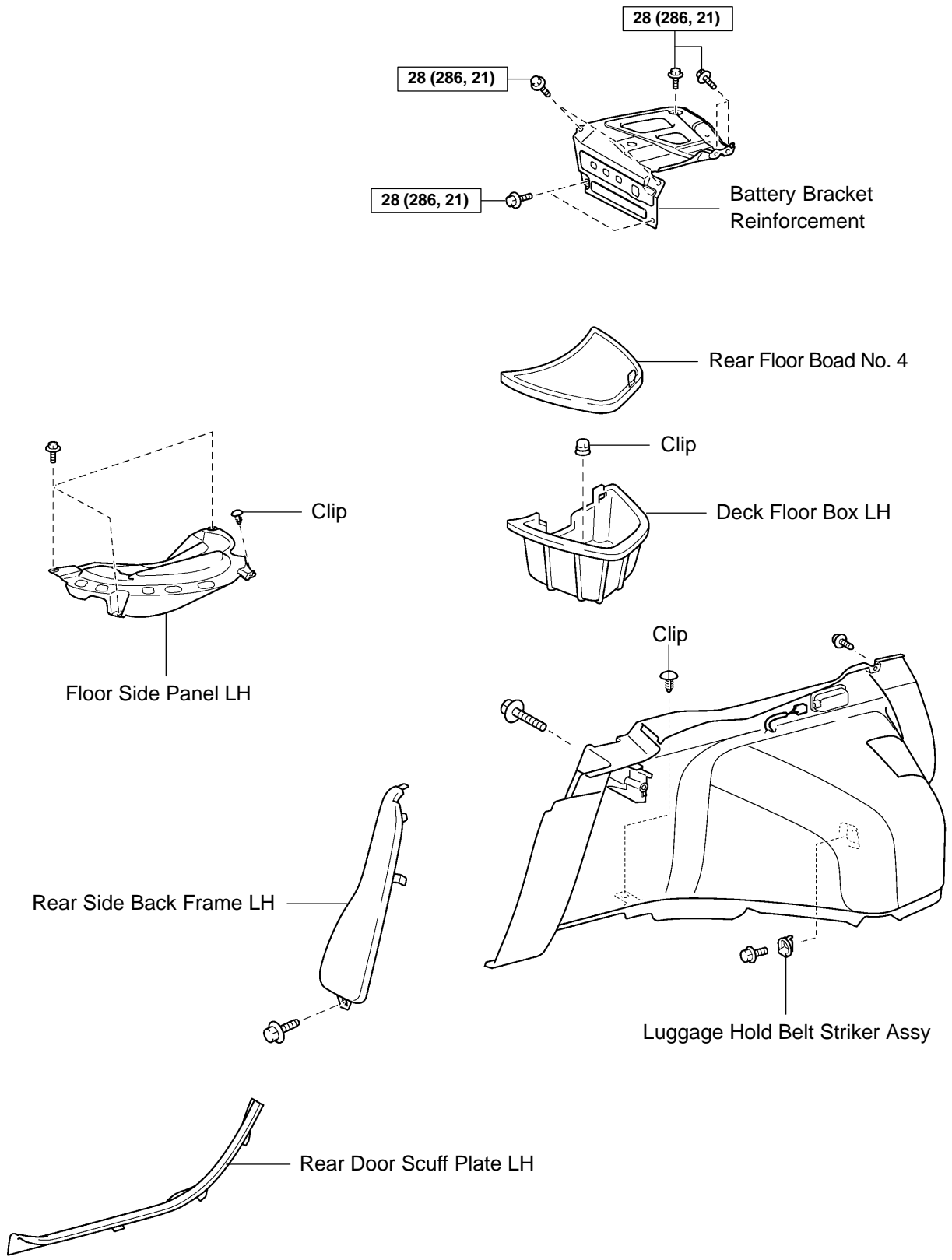
○ N·m (kgf·cm, ft·lbf) : Specified torque

A83616



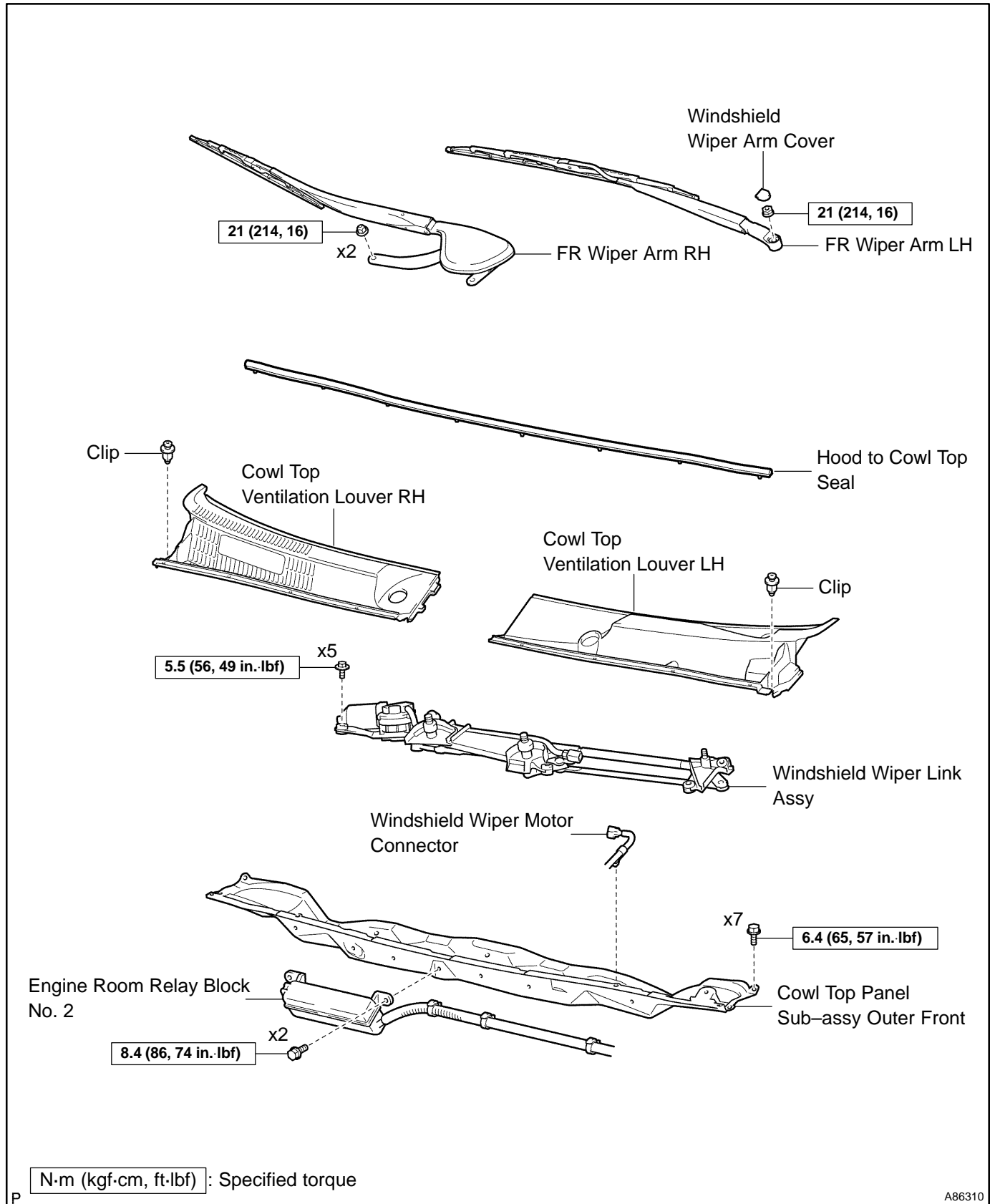
H

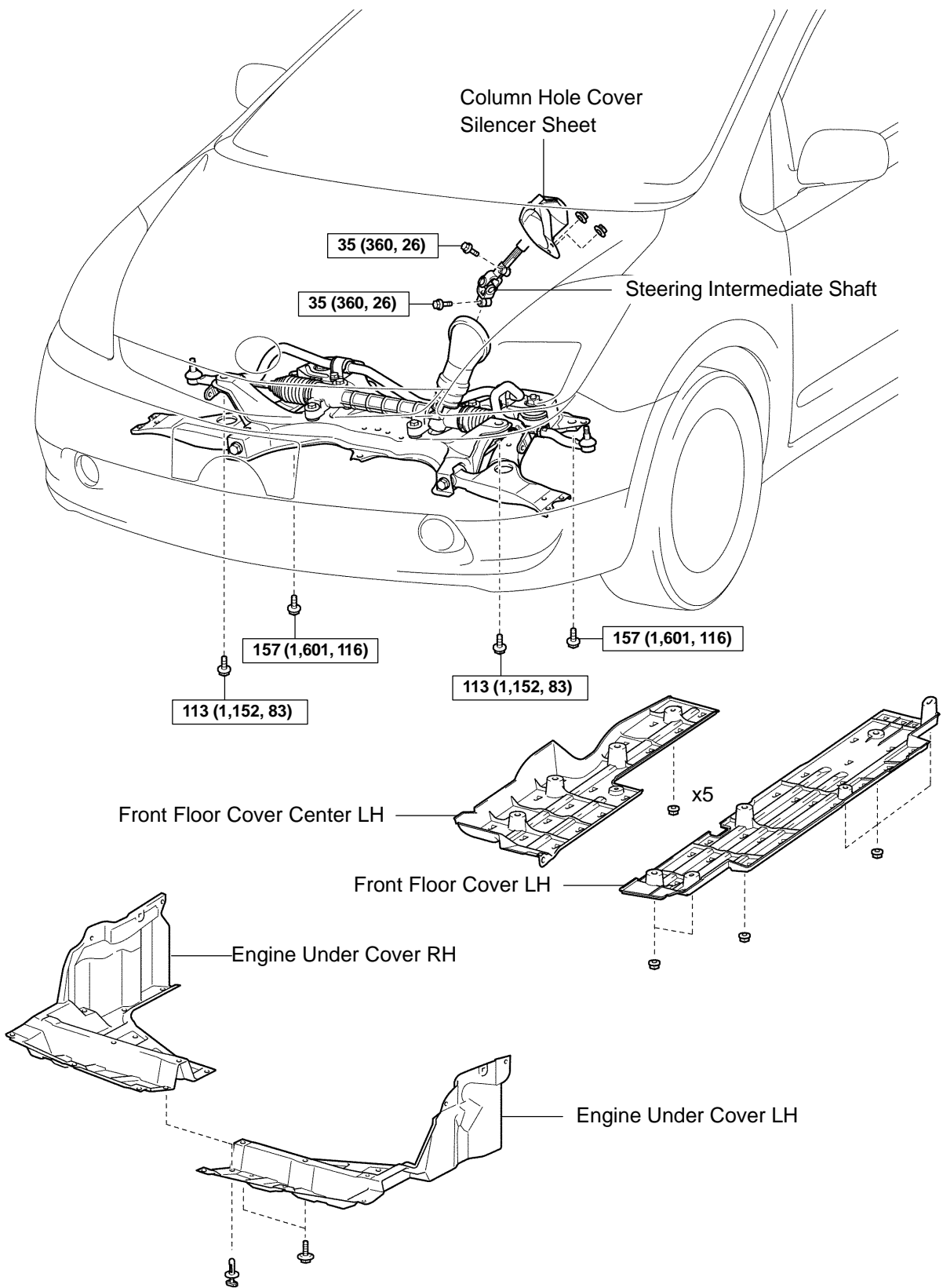
A83621



H [N·m (kgf·cm, ft·lbf)] : Specified torque

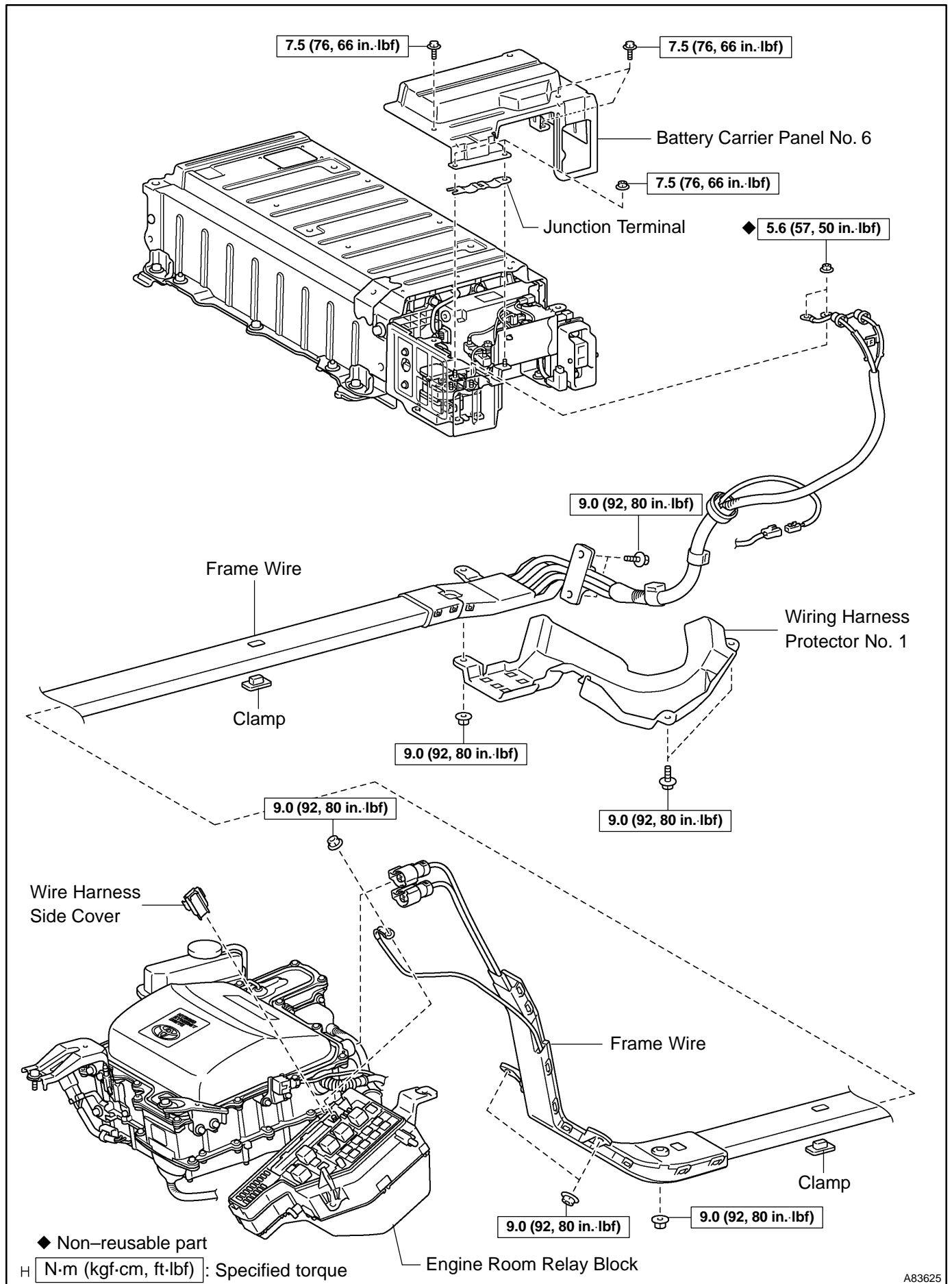
A83623





P N·m (kgf·cm, ft·lbf) : Specified torque

A83624



A83625